

# CHERRY Snap Action Switches



## CHERRY E SERIES: GENERAL PURPOSE DOUBLE POLE SWITCHES

**Specifications:**

- Terminals: .250" Q.C.
- Package Size (in.) 1.823L x .644W x 1.125H

**Typical Applications:**

- Appliances
- Industrial Controls



RoHS Compliant

For quantities greater than listed, call for quote.

MOUSER STOCK NO.	Cherry Part No.	Fig.	Actuator Length (in.)	Actuator Style	Operating Force	Operating Position (in.)	Price Each			
							1	50	100	250
<b>Rating: 15A-125/250 VAC, 3/4 HP-125 VAC</b>										
540-E19-00A	E19-00A	A	-	Button	850G	0.285±0.030	6.55	5.46	4.70	4.31
540-E19-00H	E19-00H	B	1.5	Straight	205g	0.312±0.062	7.64	6.11	5.04	4.58
540-E19-00J	E19-00J	C	-	3/8 x 32 thread, plastic button	850g	0.670±0.030	8.12	6.49	5.36	4.87
540-E19-00M	E19-00M	C	-	3/8 x 32 thread, metal button	850g	0.812±0.030	8.18	6.82	5.88	5.38
540-E19-50H	E19-50H	B	1.75	Straight	130g	0.281±0.062	7.04	5.63	4.64	4.21

For quantities greater than listed, call for quote.

MOUSER STOCK NO.	Cherry Part No.	Fig.	Actuator Length (in.)	Actuator Style	Operating Force	Operating Position (in.)	Price Each			
							1	50	100	250
<b>Rating: 20A -125/250 VAC, 1HP-125 VAC</b>										
540-E20-00A	E20-00A	A	-	Button	1280g	0.248±0.030	9.63	7.70	6.35	5.77
540-E20-00K	E20-00K	D	0.652	Roller	425g	0.860±0.062	11.32	9.06	7.47	6.79
540-E20-00M	E20-00M	C	-	3/8 x 32 thread, metal button	1280g	0.774±0.030	10.72	8.58	7.07	6.43
540-0012-0023	0012-0023	---	-	Brass Hex Nut	-	-	.16	.14	.12	.11

## CHERRY E SERIES: PANEL MOUNT SNAP ACTION SWITCHES

**Specifications:**

- Package Size (in.) 1.250L x .680W x .970H

**Typical Applications:**

- HVAC
- Office Equipment



RoHS Compliant

**Single Pole**

For quantities greater than listed, call for quote.

MOUSER STOCK NO.	Cherry Part No.	Fig.	Terminal Type	Actuator Style	Operating Force	Operating Position (in.)	Price Each			
							1	50	100	250
<b>0.1 Amp, 125 VAC</b>										
540-E68-00A	E68-00A	E	.187 Q.C.	Button	425g	0.720±0.820	5.56	4.64	4.00	3.66
540-E68-30A	E68-30A	E	.187 Q.C.	Button	475g	0.610±0.710	5.73	4.58	3.78	3.44
<b>10 Amp, 125/250 VAC, 1/3 H.P., 125/250 VAC</b>										
540-E69-00A	E69-00A	E	.187 Q.C.	Button	425g	0.610±0.710	4.08	3.26	2.68	2.45
540-E69-30A	E69-30A	E	.187 Q.C.	Button	475g	0.610±0.710	4.63	3.86	3.32	3.04
540-E69-40A	E69-40A	E	.187 Q.C.	Button	425g	0.300±0.400	3.91	3.26	2.81	2.57

**Double Pole**

- Package Size (in.) 1.570L x .680W x .970H

MOUSER STOCK NO.	Cherry Part No.	Fig.	Terminal Type	Actuator Style	Operating Force	Operating Position (in.)	Price Each			
							1	50	100	250
<b>0.1 Amp, 125 VAC</b>										
540-E78-00A	E78-00A	F	.187 Q.C.	Button	680g	0.720±0.820	11.56	9.24	7.63	6.93
<b>10 Amp, 125/250 VAC, 1/3 H.P., 125/250 VAC</b>										
540-E79-00A	E79-00A	F	.187 Q.C.	Button	680g	0.720±0.821	8.11	6.76	5.83	5.34
540-E79-30A	E79-30A	F	.187 Q.C.	Button	757g	0.610±0.710	8.43	6.74	5.56	5.06
540-E79-40A	E79-40A	F	.187 Q.C.	Button	680g	0.300±0.400	8.95	7.16	5.90	5.36
540-F79-30A	F79-30A	F	.187 x .032 Q.C.	Button	757g	0.610±0.710	7.33	5.86	4.83	4.40

## CHERRY GP SERIES: HEAVY DUTY SNAP ACTION SWITCHES

**Features:**

- Ultra-small travel differential
- Mechanical life tested to 1 million cycles
- Current switching to 20 amps
- Wide variety of actuators
- Screw or solder terminals standard
- Low operate forces available



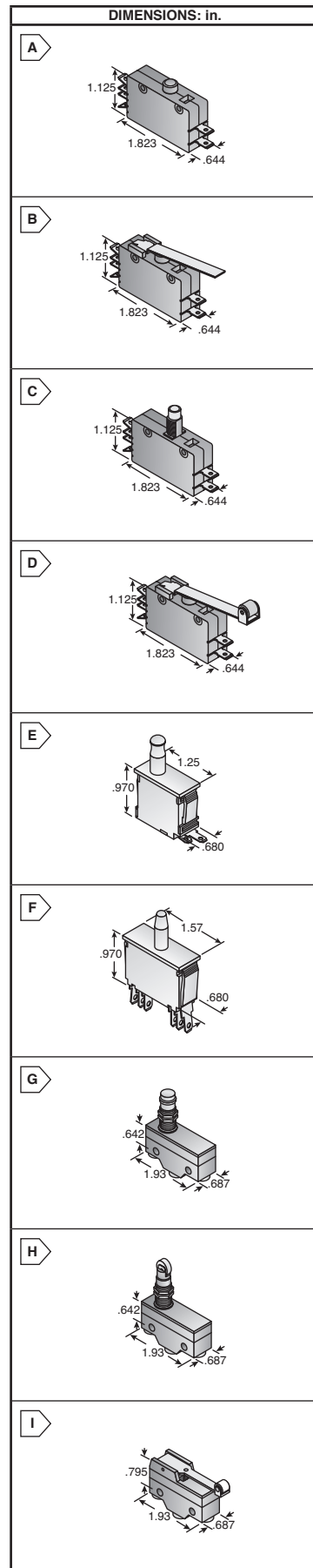
Two versions are available, Replace ( ) with: 1 U.S. version mounting holes, 0.140 or 0 Metric version mounting holes, 4.4

For quantities greater than listed, call for quote.

MOUSER STOCK NO.	Cherry Part No.	Fig.	Terminal Type	Actuator Length (in.)	Actuator Style	Operating Force (oz.)	Operating Position (in.)	Price Each			
								1	50	100	250
<b>15A, 125 VAC / 250 VAC</b>											
540-GPTCNH_1	GPTCNH_1	G	Screw	-	Panel mount plunger	12.3	.826/.890	10.33	8.34	7.38	6.81
540-GPTCRH_1	GPTCRH_1	H	Screw	-	Panel mount roller plunger	12.3	1.240/1.320	14.71	11.76	10.76	10.59
540-GPTCRS_1	GPTCRS_1	I	Screw	1.91	Lever/Roller	3.5	1.157/1.221	9.55	7.64	6.31	5.73

For quantities greater than listed, call for quote.

MOUSER STOCK NO.	Cherry Part No.	Fig.	Terminal Type	Actuator Length (in.)	Actuator Style	Operating Force (oz.)	Operating Position (in.)	Price Each			
								1	50	100	250
<b>20A, 125 VAC / 250 VAC</b>											
540-GPTBNH_1	GPTBNH_1	G	Screw	-	Panel mount plunger	12.3	.826/.890	13.11	10.49	8.65	7.86



Snap Action Switches Cherry