

CHERRY Snap Action Switches



CHERRY DC SERIES: SEALED SNAP ACTION SWITCHES

Specifications:

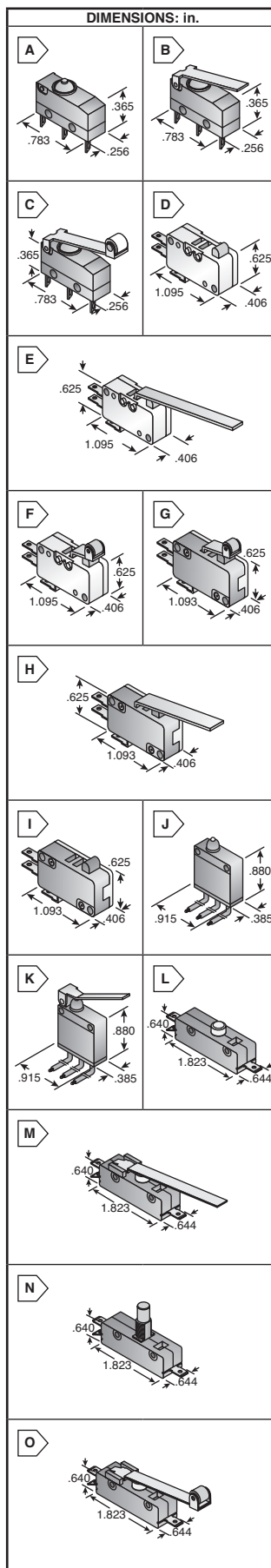
- Package Size (In.) .783L x .256W x .365H

Typical Applications:

- Automotive
- Lawn and Garden
- Power Tools



MOUSER STOCK NO.	Cherry Part No.	Fig.	Terminal Type	Actuator Length: in.	Actuator Style	Operating Force	Operating Position: in.	Price Each			
								1	50	100	250
UL 0.1A, 125 VAC ENEC 0.1A, 250 VAC											
540-DC3C-R1AA	DC3C-A1AA	A	.110 Short Solder	-----	Button	200g	.331±.012	4.30	3.43	2.83	2.58
540-DC3C-A1LB	DC3C-A1LB	B	.110 Short Solder	0.189	Straight	80g	.331±.012	5.27	4.21	3.48	3.16
UL 5.0A, 125-250 VAC, ENEC 6 A, 250 VAC											
540-DC1C-A1AA	DC1C-A1AA	A	.110 Short Solder	-----	Button	200g	.331±.012	3.97	3.18	2.62	2.38
540-DC1C-A1LB	DC1C-A1LB	B	.110 Short Solder	0.189	Straight	200g	.331±.012	4.65	3.88	3.34	3.06
540-DC1C-A1RB	DC1C-A1RB	C	.110 Short Solder	0.098	Roller	200g	.331±.012	6.79	5.66	4.88	4.47
10.1A, 125-250 VAC, ENEC 0.1A, 250 VAC											
540-DC2C-A1AA	DC2C-A1AA	A	.110 Short Solder	-----	Button	340g	.331±.012	4.84	3.87	3.18	2.90
540-DC2C-A1LB	DC2C-A1LB	B	.110 Short Solder	0.189	Straight	150g	.331±.012	5.47	4.56	3.93	3.60



CHERRY D4 SERIES: MINIATURE SNAP ACTION SWITCHES

Specifications:

- Package Size (In.) 1.095L x .406W x .625H

Typical Applications:

- Appliances
- Office Equipment
- Vending Machines
- Microwave Ovens



MOUSER STOCK NO.	Cherry Part No.	Fig.	Terminal Type	Actuator Length: in.	Actuator Style	Operating Force	Operating Position: in.	Price Each			
								1	50	100	250
0.1A, 125/250 VAC											
540-D41C-R1AA	D41C-R1AA	D	.187 Q.C.	-----	Button	75g	.558-.598	4.58	3.66	3.02	2.75
540-D41C-R1LD	D41C-R1LD	E	.187 Q.C.	1.4	Straight	40g	.555-.645	4.83	3.86	3.18	2.90
3A, 125/250 VAC											
540-D42L-R1XL	D42L-R1XL	E	.187 Q.C.	2.757	Straight	2g	.425-.775	4.27	3.54	3.05	2.79
10A, 1/2 HP 125/250 VAC											
540-D44C-R1AA	D44C-R1AA	D	.187 Q.C.	-----	Button	285g	.558-.598	2.54	2.12	1.82	1.64
540-D44C-R1RA	D44C-R1RA	F	.187 Q.C.	0.81	Roller	285g	.776-.836	3.30	2.63	2.18	1.98
540-D44L-R1AA	D44L-R1AA	D	.187 Q.C.	-----	Button	75g	.558-.598	2.65	2.20	1.89	1.73
540-D44L-R1LD	D44L-R1LD	E	.187 Q.C.	1.4	Straight	37g	.555-.645	2.92	2.44	2.10	1.92
540-D44L-R1ML	D44L-R1ML	E	.187 Q.C.	2.932	Straight	10g	.425-.775	3.14	2.51	2.07	1.89
540-D44L-R1RA	D44L-R1RA	F	.187 Q.C.	0.81	Roller	75g	.776-.836	3.53	2.94	2.53	2.32
15A, 1/2 HP 125/250 VAC											
540-D45C-R1AA	D45C-R1AA	D	.187 Q.C.	-----	Button	400g	.558-.598	2.90	2.42	2.08	1.91
540-D45L-R1AA	D45L-R1AA	D	.187 Q.C.	-----	Button	100g	.558-.598	2.90	2.42	2.08	1.91

CHERRY E SERIES: MINIATURE SNAP ACTION SWITCHES

Specifications:

- Terminals: .187" Q.C.
- Package Size (In.) 1.093L x .406W x .625H

Typical Applications:

- Appliances
- Office Equipment
- Vending Machines



MOUSER STOCK NO.	Cherry Part No.	Fig.	Actuator Length: in.	Actuator Style	Operating Force	Operating Position: in.	Price Each			
							1	50	100	250
Rating: 0.1A-125 VAC										
540-E21-00K	E21-00K	G	0.81	Roller	75g	0.806±0.030	6.69	5.58	4.81	4.40
540-E21-50H	E21-50H	H	1.4	Straight	35g	0.600±0.045	6.16	5.14	4.43	4.06
Rating: 3A-125/250 VAC, 1/10 HP-250 VAC										
540-E22-00AX	E22-00AX	I	-	Button	15g	0.578±0.020	3.64	3.04	2.62	2.46
540-E22-00K	E22-00K	G	0.81	Roller	75g	0.806±0.030	4.46	3.72	3.20	2.93
540-E22-50HX	E22-50HX	H	1.4	Straight	8g	0.600±0.045	4.08	3.40	2.93	2.68
540-E22-50KL	E22-50KL	G	1.516	Roller	25g	0.806±0.075	4.38	3.50	2.89	2.63
540-E22-55HX	E22-55HX	H	2.757	Straight	4g	0.600±0.100	4.08	3.40	2.93	2.68
540-E22-85HX	E22-85HX	H	2.932	Straight	2g	0.600±0.175	4.27	3.56	3.07	2.81
Rating: 5A 1/4 H.P., 125/250 VAC										
540-E23-00A	E23-00A	I	-	Button	170g	0.578±0.020	3.24	2.70	2.32	2.13
540-E23-00K	E23-00K	G	0.81	Roller	170g	0.806±0.030	4.58	3.82	3.29	3.01
540-E23-50K	E23-50K	G	1.34	Roller	86g	0.806±0.045	4.58	3.82	3.29	3.01
540-E23-55HX	E23-55HX	H	2.757	Straight	10g	0.600±0.100	4.20	3.50	3.01	2.76
540-E23-85HX	E23-85HX	H	2.932	Straight	6g	0.600±0.175	4.20	3.50	3.01	2.76
Rating: 10A 1/2 H.P., 125/250 VAC										
540-E33-50H	E33-50H	H	1.4	Straight	144g	0.600±0.045	3.32	2.65	2.19	1.99
540-E33-50K	E33-50K	G	1.34	Roller	144g	0.806±0.045	3.89	3.10	2.56	2.32
540-E33-85HX	E33-85HX	H	2.932	Straight	10g	0.600±0.175	4.31	3.90	3.65	3.27
Rating: 15A 1/2 H.P., 125/250 VAC										
540-E34-00A	E34-00A	I	-	Button	400g	0.578±0.020	3.32	2.65	2.19	1.99
540-E34-00K	E34-00K	G	0.81	Roller	400g	0.806±0.030	4.29	3.43	2.83	2.57
540-E34-50K	E34-50K	G	1.34	Roller	200g	0.806±0.045	4.23	3.39	2.80	2.54
540-E34-55HX	E34-55HX	H	2.757	Straight	22g	0.600±0.100	3.84	3.20	2.76	2.52
540-E34-85HX	E34-85HX	H	2.932	Straight	13g	0.600±0.175	3.93	3.14	2.59	2.35

CHERRY E70 SERIES: SEALED SNAP ACTION SWITCHES

Specifications:

- Package Size (In.) .915L x .385W x .880H

Typical Applications:

- Automotive
- Lawn and Garden



MOUSER STOCK NO.	Cherry Part No.	Fig.	Terminal Type	Actuator Length: in.	Actuator Style	Operating Force	Operating Position: in.	Price Each			
								1	50	100	250
10.1 Amp, 1/4 H.P., 125/250 VAC											
540-E72-40AT	E72-40AT	J	10" 16 awg Wire Leads	-	Button	300g	.310±.35	11.62	9.29	7.66	6.97
540-E72-40HT	E72-40HT	K	10" 16 awg Wire Leads	0.858	Straight	67g	.440±.75	12.60	10.50	9.05	8.29

CHERRY E SERIES: GENERAL PURPOSE SINGLE POLE SWITCHES

Specifications:

- Terminals: .250" Q.C.
- Package Size (In.) 1.823L x .644W x .640H

Typical Applications:

- Appliances
- Industrial Controls



MOUSER STOCK NO.	Cherry Part No.	Fig.	Terminal Type	Actuator Length: in.	Actuator Style	Operating Force	Operating Position: in.	Price Each			
								1	50	100	250
Rating: 15A-125/250 VAC, 3/4 HP-125 VAC, 1-1/2 HP-250 VAC											
540-E13-00E	E13-00E	L	-	Button	425g	0.285±0.020	2.94	2.35	1.94	1.76	
540-E13-00H	E13-00H	M	1.5	Straight	100g	0.312±0.062	4.27	3.56	3.07	2.81	
540-E13-00J	E13-00J	N	-	3/8 x 32 thread, plastic button	425g	0.670±0.030	3.50	2.92	2.51	2.30	
540-E13-00K	E13-00K	O	1.391	Roller	100g	0.718±0.062	5.16	4.30	3.70	3.39	
540-E13-00M	E13-00M	N	-	3/8 x 32 thread, metal button	425g	0.812±0.030	4.41	3.68	3.17	2.90	
540-E13-50H	E13-50H	M	1.75	Straight	65g	0.281±0.062	4.27	3.56	3.07	2.81	
Rating: 25A-125/250 VAC, 1HP-125 VAC, 2 HP-250 VAC											
540-E14-00M	E14-00M	N	-	3/8 x 32 thread, metal button	850g	0.775±0.030	5.25	4.38	3.77	3.46	
540-E14-50H	E14-50H	M	1.071	Straight	170g	0.437±0.062	5.12	4.09	3.38	3.07	
540-0012-0023	0012-0023	-	-	Brass Hex Nut	-	-	.16	.14	.12	.11	