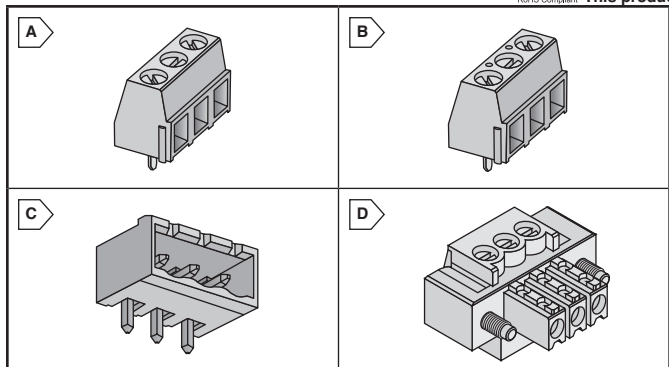


TE Terminal Blocks and Modules

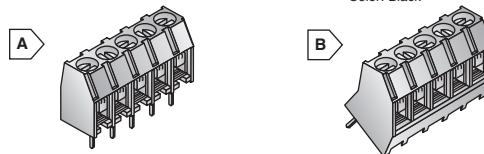


RoHS Compliant This product is RoHS compliant.



5.08MM CONNECTORS WITH WIRE PROTECTOR

- Housing Material: Thermoplastic Polyester
- UL94V-0
- 20A rating
- 300V
- 3-48 screws on .2" centers
- 12-22AWG
- Wire protector: Stainless Steel
- Color: Black



Vertical

For quantities greater than listed, call for quote.

MOUSER STOCK NO.	TE Part No.	Fig.	No. of Positions	Overall Length (in.)	Price Each			
					1	25	50	100
571-7969492	796949-2	A	2	0.400	.64	.604	.581	.577
571-7969493	796949-3	A	3	0.600	1.25	1.17	1.12	1.07
571-7969494	796949-4	A	4	0.800	1.61	1.51	1.45	1.38
571-7969495	796949-5	A	5	1.000	2.34	1.99	1.90	1.82
571-7969496	796949-6	A	6	1.200	3.35	2.94	2.81	2.68
571-7969497	796949-7	A	7	1.400	2.69	2.41	2.30	2.15
571-7969498	796949-8	A	8	1.600	4.68	4.11	3.92	3.74
571-7969499	1-796949-0	A	10	2.000	5.59	5.12	4.89	4.66
571-17969492	1-796949-2	A	12	2.400	6.20	5.83	5.56	5.28

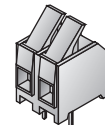
45° Angle

For quantities greater than listed, call for quote.

MOUSER STOCK NO.	TE Part No.	Fig.	No. of Positions	Overall Length (in.)	Price Each			
					1	25	50	100
571-15460742	1546074-2	B	2	0.400	.73	.65	.621	.58
571-15460743	1546074-3	B	3	0.600	1.44	1.35	1.29	1.23
571-15460744	1546074-4	B	4	0.800	2.62	2.31	2.22	2.09
571-15460745	1546074-5	B	5	1.000	2.55	2.24	2.14	2.03
571-115460742	1-1546074-2	B	12	2.400	5.83	5.54	5.23	4.99

5.08MM TERMINAL BLOCKS WITH SCREWLESS CLAMP

- Housing Material: Thermoplastic Polyester
- UL94V-0
- .2" spacing
- Color: Black
- 18-22AWG wire range
- No special tool required
- 20A rating



For quantities greater than listed, call for quote.

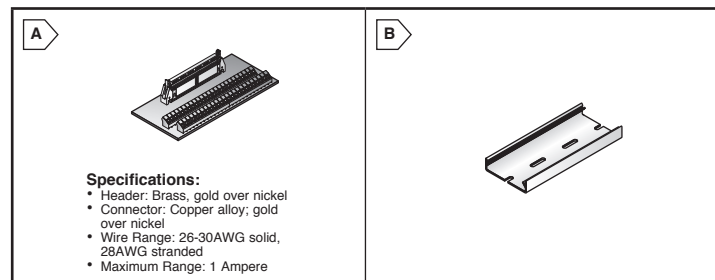
MOUSER STOCK NO.	TE Part No.	No. of Positions	Overall Length (in.)	Price Each			
				1	25	50	100
571-14376711	1437671-1	2	0.400	.99	.936	.897	.78
571-14376714	1437671-4	3	0.600	1.28	1.14	1.03	1.02
571-14376716	1437671-6	4	0.800	2.55	2.17	2.08	1.98

INTERFACE MODULES AND ACCESSORIES

These Modules convert industry specific connectors to field wiring and are designed to supply custom solutions.

Features:

- Mounts on SNAPTRACK Channel which can be panel mounted or snapped to a DIN rail.
- Terminal Block screws supplied in ready-to-wire position to save installation time.



Specifications:

- Header: Brass, gold over nickel
- Connector: Copper alloy; gold over nickel
- Wire Range: 26-30AWG solid, 28AWG stranded
- Maximum Range: 1 Ampere

Specifications for Figure A and B Terminal Block:

- Flammability: UL94V-0
- Color: Black
- Housing Material: Thermoplastic polyester
- Wire Range: 12-22AWG wire range
- Max. Operating Temp: 120°C
- Screws: #3-48, steel zinc plated
- Terminals: Bright acid-tin over copper alloy

For quantities greater than listed, call for quote.

MOUSER STOCK NO.	TE Part No.	Fig.	No. of Contacts	Description	Price Each		
					1	5	10
571-1776630-1	1776630-1	A	26	Flat cable conn. module	52.54	48.32	44.60
506-2TK2-6	1-1437685-4	B	---	Mounting channel, 6"	2.89	2.82	2.73
506-2TK2-12	1437685-6	B	---	Mounting channel, 12"	6.89	6.60	6.40

PLUGS, STACKING WITH INTERLOCK - ONE PIECE

- UL Rating: 300V, 13.5A
- Wire Size: 16-30AWG, 10A for field wiring
- Board Mount
- Side Wire Entry
- Color: Green
- Low profile

For quantities greater than listed, call for quote.

MOUSER STOCK NO.	TE Part No.	Fig.	No. of Positions	Length (in.)	Price Each			
					1	25	50	100
5.0mm Stacking Terminal Blocks								
571-2828362	282836-2	A	2	0.394	.52	.471	.419	.401
571-2828363	282836-3	A	3	0.591	.79	.663	.589	.564
571-2828364	282836-4	A	4	0.787	1.13	.938	.899	.859
571-2828365	282836-5	A	5	0.984	1.39	1.15	1.10	1.05
571-2828366	282836-6	A	6	1.181	1.89	1.78	1.70	1.62
571-2828367	282836-7	A	7	1.378	2.57	2.45	2.21	2.06
571-2828368	282836-8	A	8	1.575	1.61	1.46	1.37	1.29
5.08mm Stacking Terminal Blocks								
571-2828372	282837-2	B	2	0.400	.40	.388	.348	.328
571-2828373	282837-3	B	3	0.600	.84	.692	.663	.634
571-2828374	282837-4	B	4	0.800	1.13	.938	.899	.859
571-2828375	282837-5	B	5	1.000	1.16	1.02	.984	.93
571-2828376	282837-6	B	6	1.200	2.09	1.78	1.70	1.62
571-2828377	282837-7	B	7	1.400	1.56	1.40	1.31	1.25
571-2828378	282837-8	B	8	1.600	2.50	2.19	2.09	1.99

HEADERS, RIGHT ANGLE WITH CLOSED ENDS - TWO PIECE

- UL Rating: 300V, 12A
- Color: Green

For quantities greater than listed, call for quote.

MOUSER STOCK NO.	TE Part No.	Fig.	No. of Positions	Length (in.)	Price Each			
					1	25	50	100
5.0mm Headers								
571-796644-2	796644-2	C	2	0.394	.62	.518	.461	.442
571-796644-3	796644-3	C	3	0.591	.84	.74	.66	.62
571-796644-4	796644-4	C	4	0.787	.77	.723	.687	.661
571-796644-5	796644-5	C	5	0.984	1.43	1.27	1.22	1.14
571-796644-6	796644-6	C	6	1.181	1.86	1.77	1.68	1.59
571-796644-7	796644-7	C	7	1.378	2.16	1.95	1.83	1.74
571-796644-8	796644-8	C	8	1.575	2.43	2.18	2.05	1.94
5.08mm Headers								
571-7966382	796638-2	C	2	0.4	.50	.48	.46	.40
571-7966383	796638-3	C	3	0.6	.68	.646	.619	.599
571-7966384	796638-4	C	4	0.8	.72	.65	.60	.59
571-7966385	796638-5	C	5	1.0	1.05	.915	.791	.756
571-7966386	796638-6	C	6	1.2	1.86	1.62	1.55	1.48
571-7966387	796638-7	C	7	1.4	2.06	1.86	1.75	1.66
571-7966388	796638-8	C	8	1.6	2.89	2.77	2.65	2.52

PLUGS, RIGHT ANGLE WITH SCREW FLANGE - TWO PIECE

- UL Rating: 300V, 12A
- Wire Size: 12-30AWG

For quantities greater than listed, call for quote.

MOUSER STOCK NO.	TE Part No.	Fig.	No. of Positions	Length (in.)	Price Each			
					1	25	50	100
3.5mm Centerline								
571-284510-2	284510-2	D	2	0.138	1.36	1.22	1.15	1.08
571-284510-3	284510-3	D	3	0.276	2.06	1.85	1.76	1.63
571-284510-4	284510-4	D	4	0.413	3.78	3.32	3.17	3.02
571-284510-6	284510-6	D	6	0.689	4.10	3.68	3.61	3.53
571-284510-7	284510-7	D	7	0.827	7.19	6.81	6.47	6.10
3.81mm Centerline								
571-284511-2	284511-2	D	2	0.15	1.32	1.19	1.13	1.07
571-284511-3	284511-3	D	3	0.30	2.16	1.94	1.91	1.71
571-284511-4	284511-4	D	4	0.45	2.88	2.58	2.47	2.30
571-284511-6	284511-6	D	6	0.75	4.28	3.85	3.78	3.70
571-284511-8	284511-8	D	8	1.05	5.49	4.93	4.83	4.71