

PHOENIX CONTACT CLIPLINE DIN Rail Terminal Blocks



This product is RoHS compliant.

ST SPRING TERMINAL SPRING-CAGE CONNECTION

The proven connection system for vibration-sensitive applications. The spring cage always exerts a constant force on the conductor regardless of the operator actions. Wiring is simple and is performed via the space-saving front connection.

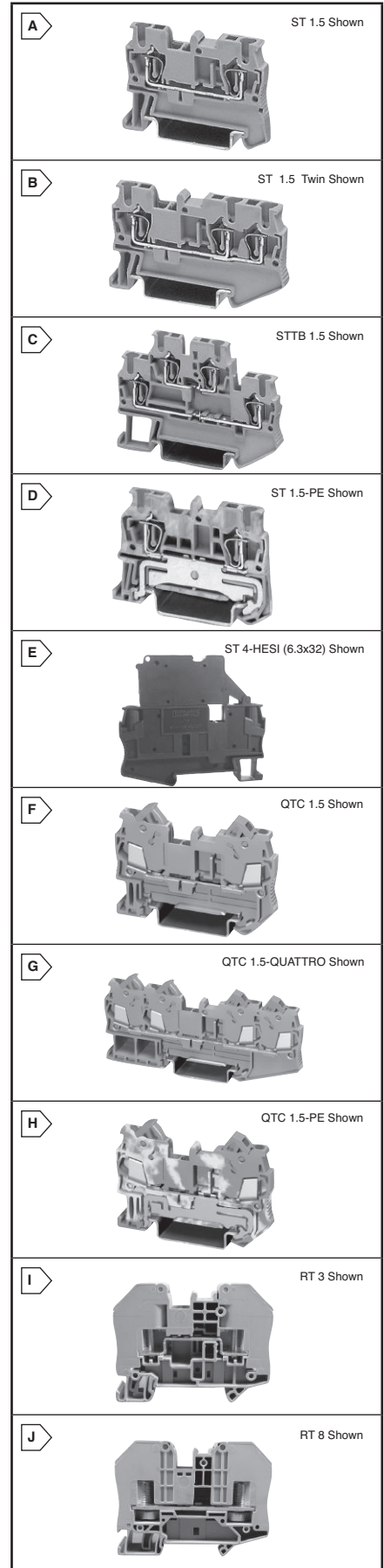


• RoHS Compliant per Phoenix Documentation

For quantities greater than listed, call for quote.

MOUSER STOCK NO.		Phoenix Type	Fig.	Color	AWG	Voltage Rating	Current Rating	Dimensions (mm)			Price Each			
Mfr.	Mfr. Part No.							H	L	W	1	10	50	100
2-Conductor Feed-Thru Terminal Blocks														
651—3031076		ST 1.5	A	Gray	26-14	300	15A	36.5	48.5	4.2	1.16	1.05	.992	.909
651—3031212		ST 2.5	A	Gray	26-12	600	20A	36.5	48.5	5.2	1.28	1.15	1.10	.99
651—3031364		ST 4	A	Gray	20-10	600	30A	36.5	56.0	6.2	1.51	1.36	1.28	1.18
651—3031487		ST 6	A	Gray	20-8	600	50A	43.5	69.5	8.2	2.20	1.98	1.86	1.72
651—3036110		ST 10	A	Gray	16-6	600	65A	50.5	71.5	10.2	2.69	2.47	2.28	2.14
3-Conductor Feed-Thru Terminal Blocks														
651—3031128		ST 1.5-TWIN	B	Gray	26-14	300	15A	36.5	60.5	4.2	1.31	1.13	1.01	.989
651—3031131		ST 1.5-TWIN BU	B	Blue	26-14	300	15A	36.5	60.5	4.2	1.26	1.08	1.01	.978
651—3031241		ST 2.5-TWIN	B	Gray	26-12	600	20A	36.5	60.5	5.2	1.48	1.27	1.19	1.15
651—3031393		ST 4-TWIN	B	Gray	20-10	600	30A	36.5	71.5	6.2	1.57	1.34	1.26	1.23
Double Level Feed-Thru Terminal Blocks														
651—3031157		STTB 1.5	C	Gray	26-14	300	15A	47.5	67.5	4.2	1.98	1.68	1.59	1.52
651—3031270		STTB 2.5	C	Gray	26-12	300	20A	47.5	67.5	5.2	3.00	2.55	2.38	2.34
651—3031429		STTB 4	C	Gray	20-10	300	30A	47.5	83.5	6.2	3.16	2.68	2.50	2.46
Ground Terminal Blocks														
651—3031513		ST 1.5-PE	D	Gr/Yel	26-14	---	---	36.5	48.5	4.2	3.85	3.26	3.06	3.00
651—3031238		ST 2.5-PE	D	Gr/Yel	26-12	---	---	36.5	48.5	5.2	4.60	4.12	3.93	3.57
651—3031380		ST 4-PE	D	Gr/Yel	20-10	---	---	36.5	56.0	6.2	4.63	4.15	3.66	3.60
651—3031500		ST 6-PE	D	Gr/Yel	20-8	---	---	43.5	69.5	8.2	5.78	4.88	4.60	4.51
651—3036136		ST 10-PE	D	Gr/Yel	16-6	---	---	50.5	71.5	10.2	6.70	5.94	5.25	5.14
651—3031144		ST 1.5-TWIN-PE	D	Gr/Yel	26-16	---	---	36.5	60.5	4.2	4.81	4.07	3.81	3.74
651—3031267		ST 2.5-TWIN-PE	D	Gr/Yel	26-12	---	---	36.5	60.5	5.2	5.22	4.43	4.15	4.07
651—3031416		ST 4-TWIN-PE	D	Gr/Yel	20-10	---	---	36.5	71.5	6.2	5.39	4.58	4.28	4.20
651—3031209		ST 1.5-QUATTRO-PE	D	Gr/Yel	26-16	---	---	36.5	72.0	4.2	5.11	4.61	4.07	3.99
651—3031322		ST 2.5-QUATTRO-PE	D	Gr/Yel	26-12	---	---	36.5	72.0	5.2	6.81	5.82	5.46	5.29
651—3031461		ST 4-QUATTRO-PE	D	Gr/Yel	20-10	---	---	36.5	87.0	6.2	6.87	5.88	5.52	5.33
651—3036013		STTB 1.5-PE	D	Gr/Yel	26-14	---	---	47.5	67.5	4.2	6.52	5.51	5.18	5.08
651—3036026		STTB 2.5-PE	D	Gr/Yel	26-12	---	---	47.5	67.5	5.2	9.29	7.87	7.37	7.25
651—3036039		STTB 4-PE	D	Gr/Yel	20-10	---	---	47.5	83.5	6.2	9.79	8.82	8.27	7.63
651—3036440		STS 4-PE	D	Gr/Yel	24-10	---	---	50.5	64.5	6.2	4.62	4.15	3.95	3.59
651—3038147		STS 6-PE	D	Gr/Yel	24-8	---	---	57.5	58.0	8.2	5.79	5.20	4.94	4.50
Fuse Terminal Blocks														
651—3036385		ST 4-HESI(6.3X32)	E	Black	24-10	400	10A	69.0	76.5	8.2	6.79	6.36	6.05	5.83
651—3036369		ST 4-HESI(5X20)	E	Black	24-10	300	6A	62.5	61.5	6.2	5.82	5.44	5.01	4.97

*: The max. load current must be < the total current of all connected conductors.



Terminal Blocks

Phoenix Contact

QT QUICKON TERMINAL FAST CONNECTION

Connect the conductor without having to strip it first. The quick connection system permits a drastic reduction of anything up to 60% in wiring time. The conductor connection is simple, reliable and fast, requiring only the aid of a standard screw driver.

• RoHS Compliant per Phoenix Documentation

For quantities greater than listed, call for quote.

MOUSER STOCK NO.		Phoenix Type	Fig.	Color	AWG	Voltage Rating	Current Rating	Dimensions (mm)			Price Each			
Mfr.	Mfr. Part No.							H	L	W	1	10	50	100
2-Conductor Feed-Thru IDC Terminal Blocks														
651—3205019		QTC 1.5	F	Gray	24-16	800	17.5A	39.3	58.8	5.2	1.34	1.21	1.14	1.03
651—3205022		QTC 1.5 BU	F	Blue	24-16	800	17.5A	39.3	58.8	5.2	1.34	1.21	1.14	1.03
651—3206416		QTC 2.5	F	Gray	20-14	800	24A	39.3	62.6	6.2	1.54	1.41	1.30	1.19
651—3206429		QTC 2.5 BU	F	Blue	20-14	800	24A	39.3	62.6	6.2	1.54	1.41	1.30	1.18
4-Conductor Feed-Thru IDC Terminal Blocks														
651—3205077		QTC 1.5-QUATTRO	G	Gray	24-16	800	17.5A*	39.3	94.0	5.2	2.44	2.19	2.07	1.89
651—3205080		QTC 1.5-QUATTRO BU	G	Blue	24-16	800	17.5A*	39.3	94.0	5.2	2.09	1.99	1.93	1.89
Ground IDC Terminal Blocks														
651—3205035		QTC 1.5-PE	H	Gr/Yel	24-16	---	---	39.3	58.8	5.2	4.48	4.02	3.82	3.48
651—3205064		QTC 1.5-TWIN-PE	H	Gr/Yel	24-16	---	---	39.3	76.4	5.2	5.57	4.99	4.75	4.32
651—3205093		QTC 1.5-QUATTRO-PE	H	Gr/Yel	24-16	---	---	39.3	94.0	5.2	5.91	5.30	5.04	4.59

RT BOLT CONNECTION TERMINALS

For use with cable lugs up to 2.5mm². Unique, simple and fast connections is made possible by hinged cover wings which hold the terminal nuts captive. Once the flap is closed the terminal and bolt are automatically positioned and can be easily tightened.

• RoHS Compliant per Phoenix Documentation

For quantities greater than listed, call for quote.

MOUSER STOCK NO.		Phoenix Type	Fig.	Color	AWG	Voltage Rating	Current Rating	Dimensions (mm)			Price Each			
Mfr.	Mfr. Part No.							H	L	W	1	10	50	100
651—3049013		RT 3	I	Gray	26-14	1000	24A	43.5	66.0	12.3	2.97	2.88	2.70	2.29
651—3049026		RT 5	I	Gray	26-10	1000	41A	43.5	66.0	16.3	3.15	2.95	2.86	2.50
651—3049042		RT 8	J	Gray	14-2	1000	125A	56.3	84.0	20.3	8.26	7.58	7.06	6.65
651—3049411		RT 3 PE	I	Gr/Yel	26-14	1000	24A	43.5	66.0	12.3	6.33	5.75	5.49	4.88
651—3049424		RT 5 PE	I	Gr/Yel	26-10	1000	41A	43.5	66.0	16.3	7.24	6.58	6.29	5.59