

PHOENIX CONTACT Cipline DIN Rail Terminal Blocks



RoHS Compliant This product is RoHS compliant.

MINI SPRING CAGE TERMINAL BLOCKS

The portfolio of the new mini spring terminal blocks comprises terminals for horizontal (MSB) and vertical (MSBV) conductor connection. Versions are available for NS 15 and NS 35 rails, as well as versions with a snap-on foot (-RZ), screwfix (-F), and blocks utilizing the built-in engagement pins for mounting between 2 terminal blocks.

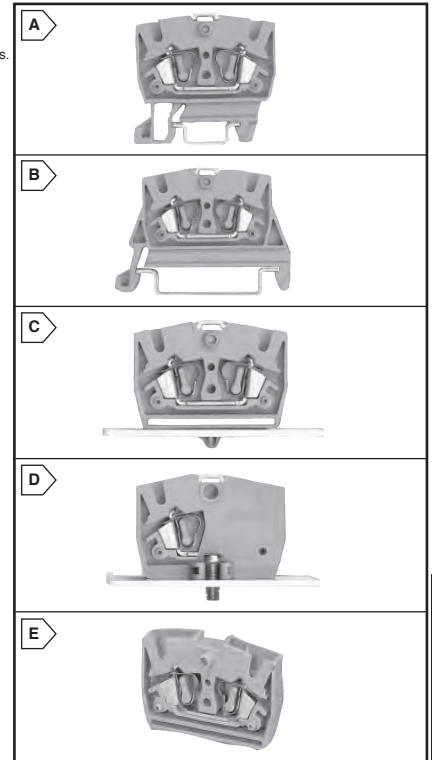
Features:

- Snapped onto NS 15 or NS 35 rail
- IEC 800V/30A, UL 600V/20A
- Center labeling using flat Zack marker strip
- Engagement Pin blocks mount between 2 other terminal blocks using the built in engagement pin.
- Compact design with 5mm division
- Individual terminals inter-snap on, facilitating fast and safe structure
- The MSB series fulfills the same technical parameters as the standard ST 2.5 modular terminal blocks.



For quantities greater than listed, call for quote.

MOUSER STOCK NO.		Fig.	Phoenix Type	Color	AWG	Volt. Rating	Current Rating	Dimensions (mm)			Price Each			
Mfr	Mfr. Part No.							H	L	W	1	10	50	100
Din Rail NS15/35 Mount														
651—3244012	A	MSB 2,5-NS 15	Gray	28-12	600V	20A	22	32	5.2	.93	.85	.757	.705	
651—3244025	A	MSB 2,5 BU-NS 15	Blue	28-12	600V	20A	32	32	5.2	.92	.849	.756	.704	
651—3244038	A	MSB 2,5 OG-NS 15	Org	28-12	600V	20A	32	32	5.2	.99	.919	.825	.762	
651—3073092	A	MSB 2,5 YE-NS 15	Yel	28-12	600V	20A	32	32	5.2	.99	.919	.825	.762	
651—3249017	A	MSBV 2,5-NS 15	Gray	28-12	600V	20A	32	32	5.2	.99	.912	.774	.757	
651—3249088	B	MSBV 2,5-NS 35	Gray	28-12	600V	20A	32	42.7	5.2	.99	.912	.774	.757	
651—3244119	B	MSB 2,5-NS 35	Gray	28-12	600V	20A	32	42.7	5.2	.93	.85	.757	.705	
651—3249091	B	MSBV 2,5-NS 35 BU	Blue	28-12	600V	20A	32	42.7	5.2	.98	.911	.773	.756	
Snap-on Foot Mount														
651—3244164	C	MSB 2,5-RZ	Gray	28-12	600V	20A	22	32	5.2	.92	.849	.756	.704	
651—3244177	C	MSB 2,5-RZ BU	Blue	28-12	600V	20A	22	32	5.2	.93	.849	.756	.704	
Screwfix Mount														
651—3244041	D	MSB 2,5-F	Gray	28-12	600V	20A	22	32	5.2	.93	.85	.757	.705	
651—3249046	C	MSBV 2,5-F BU	Blue	28-12	600V	20A	20	32	5.2	.98	.911	.773	.756	
651—3249059	D	MSBV 2,5-F	Gray	28-12	600V	20A	20	32	5.2	.99	.912	.774	.757	
651—3244054	D	MSB 2,5-F BU	Blue	28-12	600V	20A	22	32	5.2	.93	.85	.757	.705	
Engagement Pin Mount														
651—3244067	E	MSB 2,5-M	Gray	28-12	600V	20A	22	32	5.2	.93	.85	.757	.705	
651—3244070	E	MSB 2,5-M BU	Blue	28-12	600V	20A	22	32	5.2	.93	.85	.757	.705	
651—3244096	E	MSB 2,5-M OG	Org	28-12	600V	20A	22	32	5.2	1.00	.92	.819	.763	
651—3244106	E	MSB 2,5-M YE	Yel	28-12	600V	20A	22	32	5.2	1.00	.92	.819	.763	
651—3249062	E	MSBV 2,5-M	Gray	28-12	600V	20A	20	32	5.2	.99	.912	.774	.757	
651—3249075	E	MSBV 2,5-M BU	Blue	28-12	600V	20A	20	32	5.2	.98	.911	.773	.756	



CLIPLINE COMPLETE - COMPLETELY PLUGGABLE WITH COMBI

Cipline now includes COMBI, a pluggable connection solution. The COMBI family offers free selection of connection technologies. Through the standardized COMBI plug-in zones, terminal blocks and connectors can be combined independent of the connection system.

Features:

- Touchproof design
- Flexible termination styles
- Reliable connection technologies
- Modular self assembly plugs up to 15 positions
- High current capacity
- Space saving design
- Meets DIN EN 61373, IEC 60068-2-27
- RoHS compliant per Phoenix documentation



*: Gr/Yel = Green/Yellow

For quantities greater than listed, call for quote.

MOUSER STOCK NO.		Fig.	Phoenix Type	Color	AWG	Volt. Rating	Current Rating	Dimensions (mm)			Price Each			
Mfr	Mfr. Part No.							H	L	W	1	10	50	100
UT-COMBI Pluggable Screw Terminal Blocks														
651—3045017	A	UT 2.5/1P	Gray	26-12	500	24A	47.5	47.6	5.2	1.02	.918	.856	.804	
651—3045033	A	UT 2.5/1P-PE	Gr/Yel	26-12	---	---	47.5	47.6	5.2	3.80	3.41	3.11	2.95	
651—3045583	A	UT 4/1P	Gray	10-12	800	32A	47.5	47.6	6.2	1.10	.979	.927	.833	
651—3045606	A	UT 4/1P-PE	Gr/Yel	10-12	---	---	47.5	47.6	6.2	3.27	2.93	2.48	2.39	
ST-COMBI Pluggable Spring-cage Terminal Blocks														
651—3040012	B	ST 2.5/1P	Gray	28-12	500	24A	36.5	48.5	5.2	1.28	1.15	1.10	.988	
651—3042133	B	ST 2.5/2P	Gray	28-12	500	24A	36.5	48.5	5.2	1.18	1.07	1.02	.919	
651—3040025	B	ST 2.5/1P-PE	Gr/Yel	28-12	---	---	36.5	48.5	5.2	4.57	4.11	3.90	3.55	
651—3042146	B	ST 2.5/2P-PE	Gr/Yel	28-12	---	---	36.5	48.5	5.2	3.78	3.41	3.20	2.92	
651—3042719	B	ST 4/1P	Gray	28-10	800	32A	36.5	55.8	6.2	1.49	1.34	1.26	1.16	
651—3042722	B	ST 4/1P-PE	Gr/Yel	28-10	800	32A	36.5	55.8	6.2	4.46	4.02	3.77	3.44	
QT-COMBI Pluggable Direct Connection Terminal Blocks														
651—3050073	C	QTC 1.5/1P	Gray	24-16	500	17.5A	39.3	53.5	5.2	1.18	1.08	.994	.912	
651—3050099	C	QTC 1.5/1P-PE	Gr/Yel	24-16	---	---	39.3	53.5	5.2	4.38	4.03	3.71	3.39	

COMBI Plugs

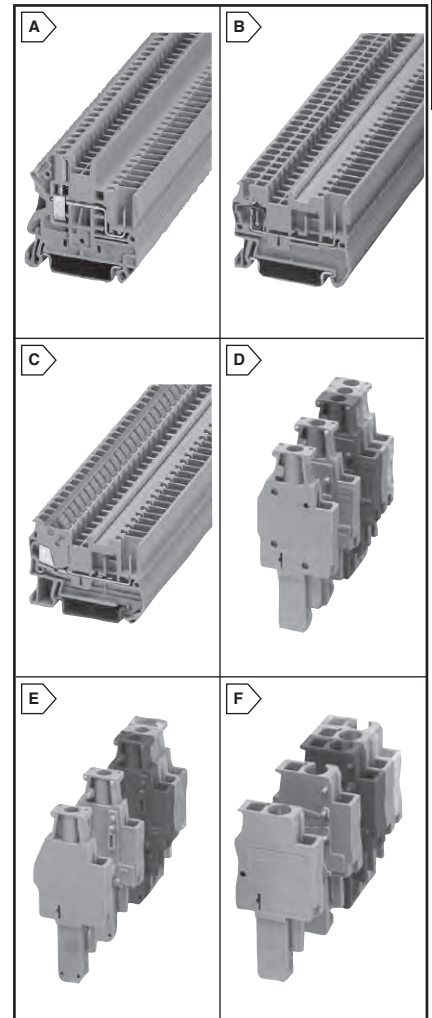
For quantities greater than listed, call for quote.

UT-COMBI - Screw Connection Plug													
651—3045318	D	UPBV 2.5/1-L	Gray	26-14	500	24A	47.0	21.0	5.2	1.22	1.09	1.03	.956
651—3045347	D	UPBV 2.5/1-M	Gray	26-14	500	24A	47.0	21.0	5.2	1.22	1.09	1.03	.956
651—3045376	D	UPBV 2.5/1-R	Gray	26-14	500	24A	47.0	21.0	5.2	1.23	1.09	1.04	.957
651—3045716	D	UPBV 4/1-L	Gray	28-12	800	32A	47.0	21.0	6.2	2.05	1.84	1.75	1.58
651—3045745	D	UPBV 4/1-M	Gray	28-12	800	32A	47.0	21.0	6.2	2.05	1.84	1.75	1.58
651—3045774	D	UPBV 4/1-R	Gray	28-12	800	32A	47.0	21.0	6.2	2.05	1.84	1.75	1.58
ST-COMBI - Spring-cage Connection Plug													
651—3043103	E	SPB 2.5/1-L	Gray	28-12	500	24A	39.0	20.0	5.2	1.38	1.25	1.18	1.08
651—3043132	E	SPB 2.5/1-M	Gray	28-12	500	24A	39.0	20.0	5.2	1.38	1.25	1.18	1.08
QT-COMBI - Fast Connection Plug													
651—3051014	F	QP 1.5/1-L	Gray	24-16	500	17.5	40.0	20.0	5.2	1.31	1.22	1.12	1.04
651—3051043	F	QP 1.5/1-M	Gray	24-16	500	17.5	40.0	20.0	5.2	1.40	1.26	1.20	1.06

End Covers for COMBI Pluggable Terminal Blocks

For quantities greater than listed, call for quote.

MOUSER STOCK NO.		Phoenix Type	Color	Series	Terminal Blocks (for use with)	Price Each			
Mfr	Mfr. Part No.					1	10	50	100
651—3047154	D-UT 2.5/1P	D-UT 2.5/1P	Gray	UT	UT 2.5/1P and UT 4/1P	.68	.598	.577	.524
651—3030417	D-ST 2.5	D-ST 2.5	Gray	ST	ST 2.5/1P and ST 2.5/2P	.68	.606	.575	.523
651—3206322	D-QTC 1.5/1P	D-QTC 1.5/1P	Gray	QT	QTC 1.5/1P	.77	.679	.655	.60



Terminal Blocks Phoenix Contact