

PHOENIX CONTACT High Current Terminal Blocks



HIGH CURRENT PANEL FEED-THROUGH (PFT) TERMINAL BLOCKS

The newest generation of panel feed-through (PFT) high-current terminal blocks feature high retention forces and multiple mounting options. Manufactured with secure universal screw and ring lug/bolt connection technology, PFT series terminal blocks offer multiple mounting options across a wide range of wire gauges. The blocks snap into panel cut-outs without special tooling. Screw and rivet options can accommodate high mechanical stability for conductors.

Applications:

Designed for use in several industries, PFT series terminal blocks are especially useful within the telecom and power distribution sectors. This series also supports electrical device manufacturers of filters, converters, inverters, transformers, power supplies, and industrial batteries.

UW Connectors



For quantities greater than listed, call for quote.

MOUSER STOCK NO.		Fig.	Phoenix Type	Description	Load Current	Price Each			
Mfr.	Mfr. Part No.					1	10	50	100
651	—3073306	A	UW 4	Universal screw PFT, 4mm ²	41A	5.01	4.71	4.40	4.14
651	—3073319	A	UW 4/S	Screw PFT, 4 mm ² w/alignment pins	41A	5.01	4.71	4.40	4.14
651	—3073322	A	UW 10	Screw PFT, 10mm ²	76A	8.08	7.59	7.10	6.67
651	—3073335	A	UW 10/S	Screw PFT, 10 mm ² w/alignment pins	76A	8.08	7.59	7.10	6.67
651	—3073348	A	UW 16	Screw PFT, 16mm ²	101A	9.97	9.37	8.76	8.23
651	—3073351	A	UW 16/S	Screw PFT, 16 mm ² w/alignment pins	101A	9.97	9.37	8.76	8.23
651	—3073364	A	UW 25	Screw PFT, 25mm ²	125A	12.76	11.99	11.22	10.54
651	—3073377	A	UW 25/S	Screw PFT, 25 mm ² w/alignment pins	125A	12.76	11.99	11.22	10.54

RW Connectors



For quantities greater than listed, call for quote.

MOUSER STOCK NO.		Fig.	Phoenix Type	Description	Load Current	Price Each			
Mfr.	Mfr. Part No.					1	10	50	100
651	—3056116	A	RWO 5	Ring PFT open-style, M5 thread	76A	9.07	8.52	7.97	7.49
651	—3056129	A	RWO 5/S	Ring PFT open, M5 w/alignment pins	76A	9.07	8.52	7.97	7.49
651	—3073597	A	RW 5/S	Ring PFT, M5 w/alignment pins	76A	13.87	13.03	12.19	11.45
651	—3073584	A	RW 5	Ring/bolt connection PFT, M5 thread	76A	25.69	23.91	22.37	21.02
651	—3056145	A	RWO 8/S	Ring PFT open, M8 w/alignment pins	125A	14.84	13.94	13.04	12.25
651	—3073610	A	RW 8/S	Ring PFT, M8 thread w/alignment pins	125A	20.23	19.01	17.78	16.71
651	—3056158	A	RWO 10	Ring PFT open-style, M10 thread	309A	46.72	43.90	41.07	38.58

3.81MM PLUGGABLE TERMINAL BLOCKS WITH SCREW FLANGES

- RoHS Compliant per Phoenix documentation
- Color: Green
- Max. Voltage: 300V
- Captive Screws
- Max Current: 8A



For quantities of 500 and up, call for quote.

MOUSER STOCK NO.		Fig.	Phoenix Type	No. of Pos.	Dimensions: mm			Price Each			
Mfr.	Mfr. Part No.				A	B	C	1	10	50	100
Panel Feed-Through Headers with Threaded Flange											
651	—1829345	B	DFK-MC 1.5/2-GF-3.81	2	3.81	13.81	18.50	3.26	3.00	2.56	2.37
651	—1829358	B	DFK-MC 1.5/3-GF-3.81	3	3.81	17.62	22.30	4.36	4.02	3.43	3.17
651	—1829361	B	DFK-MC 1.5/4-GF-3.81	4	3.81	21.43	26.10	5.18	4.77	4.07	3.77
651	—1829374	B	DFK-MC 1.5/5-GF-3.81	5	3.81	25.24	29.90	6.02	5.55	4.73	4.37
651	—1829387	B	DFK-MC 1.5/6-GF-3.81	6	3.81	29.05	33.80	6.93	6.39	5.46	5.04
651	—1827596	B	DFK-MC 1.5/8-GF-3.81	8	3.81	36.67	41.40	8.59	7.92	6.76	6.25
651	—1829413	B	DFK-MC 1.5/10-GF-3.81	10	3.81	44.29	49.00	10.24	9.45	8.06	7.45
651	—1829439	B	DFK-MC 1.5/12-GF-3.81	12	3.81	51.91	56.60	11.96	11.04	9.41	8.70
Mounting Hardware for 3.81mm Panel Feed-Through Headers - (Requires 2 Per Header for Mounting)											
651	—0710015	-	DFK-MC SS	1 ea. of M 2x8 Screw, Washer & Nut				.24	.201	.18	.159

5.08MM PLUGGABLE TERMINAL BLOCKS WITH SCREW FLANGES

- RoHS Compliant per Phoenix documentation
- Color: Green
- Max. Voltage: 300V
- Captive Screws
- Max Current: 10A



For quantities greater than listed, call for quote.

MOUSER STOCK NO.		Fig.	Phoenix Type	No. of Pos.	Dimensions: mm			Price Each			
Mfr.	Mfr. Part No.				A	B	C	1	10	50	100
Panel Feed-Through Headers with Threaded Flange											
651	—0710170	C	DFK-MSTB 2.5/2-GF-5.08	2	5.08	13.18	20.32	3.22	2.98	2.54	2.34
651	—0710183	C	DFK-MSTB 2.5/3-GF-5.08	3	5.08	18.26	25.40	4.00	3.69	3.15	2.91
651	—0710196	C	DFK-MSTB 2.5/4-GF-5.08	4	5.08	23.34	30.48	4.96	4.58	3.90	3.61
651	—0710206	C	DFK-MSTB 2.5/5-GF-5.08	5	5.08	28.42	35.56	5.52	5.10	4.34	4.01
651	—0710219	C	DFK-MSTB 2.5/6-GF-5.08	6	5.08	33.50	40.64	6.21	5.74	4.89	4.51
651	—0710235	C	DFK-MSTB 2.5/8-GF-5.08	8	5.08	43.66	50.80	7.67	7.08	6.04	5.58
651	—0710251	C	DFK-MSTB 2.5/10-GF-5.08	10	5.08	53.82	60.96	9.25	8.54	7.28	6.73
Mounting Hardware for 5.08mm Panel Feed-Through Headers - (Requires 2 Per Header for Mounting)											
651	—0708263	-	DFK-MSTB-SS	1 ea. of M 3x10 Screw, Washer & Nut				.37	.35	.303	.28

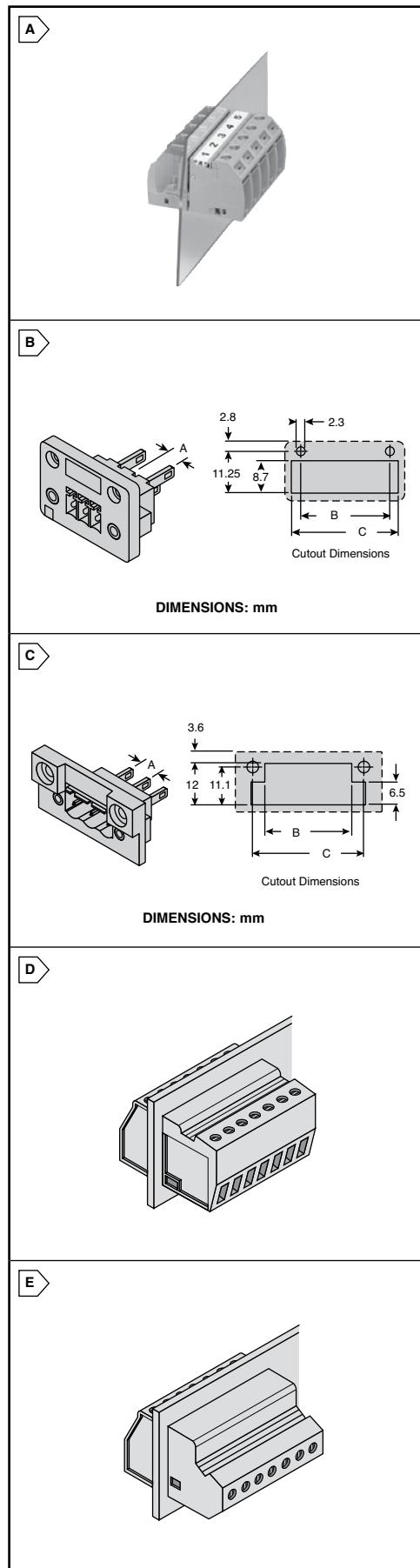
HIGH CURRENT FEED-THRU TERMINAL BLOCKS FOR PANEL MOUNTING

- RoHS Compliant per Phoenix documentation
- Voltage: Metal Walls 1-2.5mm-400 V max, Metal Walls 2.5-4mm-250 V max, Plastic Walls 1-4mm-400 V max.
- Reliable Sealing of Housing Interior
- Automatic Compensation of Wall Thickness
- Very Easy Installation



For quantities greater than listed, call for quote.

MOUSER STOCK NO.		Fig.	Phoenix Type	AWG	Color	Conductor Connection	Current Rating	Price Each			
Mfr.	Mfr. Part No.							1	10	50	100
651	—0707086	D	HDFK 4	24-10	Gray	Horizontal	40A	5.48	5.02	4.35	4.21
651	—0707866	D	HDFK 4 GNYE	24-10	Green/Yellow	Horizontal	40A	5.48	5.02	4.35	4.29
651	—0709026	E	HDFKV 4	24-10	Gray	Vertical	40A	5.53	5.07	4.40	4.33



Terminal Blocks Phoenix Contact