

# PHOENIX CONTACT PCB Terminal Blocks



RoHS Compliant This product is RoHS compliant.

## DFMC DMC(V) SERIES TERMINAL BLOCKS (CONT.)

### Features:

- Push-in spring technology for fast wire assembly
- 20% space saving on the PCB
- Insert molded header with accurate pin placement for high pick-and-place yields
- Compatible to MC family "footprint"
- Alternative latching options for flexibility in application needseramic package
- 24 to 16AWG
- 8A and 150V rating
- Spacing: 3.5mm

### 3.5mm Plug, No Latch

For quantities greater than listed, call for quote.

MOUSER STOCK NO.		Phoenix Type	Fig.	No. of Pos.	Dimensions: mm				Price Each			
Mfr.	Mfr. Part No.				A	B	C	D	1	10	50	100
651-1790108		DFMC 1,5/2-ST-3,5	A	2	13.25	7.80	15.6	22.65	2.45	2.26	1.90	1.76
651-1790111		DFMC 1,5/3-ST-3,5	A	3	13.25	11.3	15.6	22.65	3.80	3.52	2.96	2.74
651-1790124		DFMC 1,5/4-ST-3,5	A	4	13.25	14.8	15.6	22.65	5.01	4.63	3.89	3.61
651-1790137		DFMC 1,5/5-ST-3,5	A	5	13.25	18.3	15.6	22.65	6.28	5.81	4.89	4.53
651-1790140		DFMC 1,5/6-ST-3,5	A	6	13.25	21.8	15.6	22.65	7.56	6.99	5.88	5.45
651-1790153		DFMC 1,5/7-ST-3,5	A	7	13.25	25.3	15.6	22.65	8.81	8.14	6.85	6.35
651-1790166		DFMC 1,5/8-ST-3,5	A	8	13.25	28.8	15.6	22.65	10.05	9.30	7.82	7.25
651-1790179		DFMC 1,5/9-ST-3,5	A	9	13.25	32.3	15.6	22.65	11.29	10.44	8.78	8.14
651-1790182		DFMC 1,5/10-ST-3,5	A	10	13.25	35.8	15.6	22.65	12.54	11.59	9.75	9.03
651-1790195		DFMC 1,5/11-ST-3,5	A	11	13.25	39.3	15.6	22.65	13.86	12.81	10.78	9.99
651-1790205		DFMC 1,5/12-ST-3,5	A	12	13.25	42.8	15.6	22.65	15.09	13.95	11.74	10.88
651-1790218		DFMC 1,5/13-ST-3,5	A	13	13.25	46.3	15.6	22.65	16.34	15.11	12.71	11.77
651-1790221		DFMC 1,5/14-ST-3,5	A	14	13.25	49.8	15.6	22.65	17.57	16.25	13.67	12.66
651-1790234		DFMC 1,5/15-ST-3,5	A	15	13.25	53.3	15.6	22.65	18.86	17.44	14.67	13.59
651-1790247		DFMC 1,5/16-ST-3,5	A	16	13.25	56.8	15.6	22.65	20.10	18.58	15.63	14.48
651-1790250		DFMC 1,5/17-ST-3,5	A	17	13.25	60.3	15.6	22.65	21.34	19.73	16.60	15.38
651-1790263		DFMC 1,5/18-ST-3,5	A	18	13.25	63.8	15.6	22.65	22.67	20.96	17.63	16.33
651-1790276		DFMC 1,5/19-ST-3,5	A	19	13.25	67.3	15.6	22.65	23.95	22.14	18.63	17.26
651-1790289		DFMC 1,5/20-ST-3,5	A	20	13.25	70.8	15.6	22.65	25.27	23.36	19.65	18.21

### 3.5mm Plug, Screw Latch

For quantities greater than listed, call for quote.

MOUSER STOCK NO.		Phoenix Type	Fig.	No. of Pos.	Dimensions: mm				Price Each			
Mfr.	Mfr. Part No.				A	B	C	D	1	10	50	100
651-1790292		DFMC 1,5/2-STF-3,5	B	2	13.25	14.00	15.6	22.65	2.88	2.66	2.24	2.08
651-1790302		DFMC 1,5/3-STF-3,5	B	3	13.25	17.50	15.6	22.65	4.13	3.82	3.21	2.97
651-1790315		DFMC 1,5/4-STF-3,5	B	4	13.25	21.00	15.6	22.65	5.36	4.96	4.17	3.86
651-1790328		DFMC 1,5/5-STF-3,5	B	5	13.25	24.50	15.6	22.65	6.61	6.11	5.14	4.76
651-1790331		DFMC 1,5/6-STF-3,5	B	6	13.25	28.00	15.6	22.65	7.85	7.26	6.11	5.66
651-1790344		DFMC 1,5/7-STF-3,5	B	7	13.25	31.50	15.6	22.65	9.16	8.47	7.13	6.60
651-1790357		DFMC 1,5/8-STF-3,5	B	8	13.25	35.00	15.6	22.65	10.41	9.62	8.10	7.50
651-1790360		DFMC 1,5/9-STF-3,5	B	9	13.25	38.50	15.6	22.65	11.66	10.78	9.07	8.40
651-1790373		DFMC 1,5/10-STF-3,5	B	10	13.25	42.00	15.6	22.65	12.89	11.92	10.03	9.29
651-1790386		DFMC 1,5/11-STF-3,5	B	11	13.25	45.50	15.6	22.65	14.17	13.10	11.02	10.21
651-1790399		DFMC 1,5/12-STF-3,5	B	12	13.25	49.00	15.6	22.65	15.46	14.29	12.02	11.14
651-1790409		DFMC 1,5/13-STF-3,5	B	13	13.25	52.50	15.6	22.65	16.69	15.43	12.98	12.03
651-1790412		DFMC 1,5/14-STF-3,5	B	14	13.25	56.00	15.6	22.65	17.97	16.62	13.98	12.95
651-1790438		DFMC 1,5/16-STF-3,5	B	16	13.25	63.00	15.6	22.65	20.47	18.92	15.92	14.75
651-1790441		DFMC 1,5/17-STF-3,5	B	17	13.25	66.50	15.6	22.65	21.70	20.06	16.88	15.64
651-1790454		DFMC 1,5/18-STF-3,5	B	18	13.25	70.00	15.6	22.65	22.95	21.21	17.85	16.53
651-1790467		DFMC 1,5/19-STF-3,5	B	19	13.25	73.50	15.6	22.65	24.27	22.44	18.88	17.49
651-1790470		DFMC 1,5/20-STF-3,5	B	20	13.25	77.00	15.6	22.65	25.55	23.62	19.87	18.41

### 3.5mm Plug, Lock-and-Release Latch

For quantities greater than listed, call for quote.

MOUSER STOCK NO.		Phoenix Type	Fig.	No. of Pos.	Dimensions: mm				Price Each			
Mfr.	Mfr. Part No.				A	B	C	D	1	10	50	100
651-1790483		DFMC 1,5/2-ST-3,5-LR	C	2	13.25	7.80	15.6	22.65	3.13	2.89	2.43	2.25
651-1790496		DFMC 1,5/3-ST-3,5-LR	C	3	13.25	11.3	15.6	22.65	4.36	4.03	3.39	3.14
651-1790506		DFMC 1,5/4-ST-3,5-LR	C	4	13.25	14.8	15.6	22.65	5.61	5.18	4.36	4.04
651-1790519		DFMC 1,5/5-ST-3,5-LR	C	5	13.25	18.3	15.6	22.65	6.88	6.37	5.35	4.96
651-1790522		DFMC 1,5/6-ST-3,5-LR	C	6	13.25	21.8	15.6	22.65	8.13	7.52	6.32	5.86
651-1790535		DFMC 1,5/7-ST-3,5-LR	C	7	13.25	25.3	15.6	22.65	9.37	8.66	7.28	6.75
651-1790548		DFMC 1,5/8-ST-3,5-LR	C	8	13.25	28.8	15.6	22.65	10.69	9.88	8.31	7.70
651-1790551		DFMC 1,5/9-ST-3,5-LR	C	9	13.25	32.3	15.6	22.65	11.93	11.03	9.28	8.60
651-1790564		DFMC 1,5/10-ST-3,5-LR	C	10	13.25	35.8	15.6	22.65	13.17	12.18	10.24	9.49
651-1790577		DFMC 1,5/11-ST-3,5-LR	C	11	13.25	39.3	15.6	22.65	14.41	13.33	11.21	10.39
651-1790580		DFMC 1,5/12-ST-3,5-LR	C	12	13.25	42.8	15.6	22.65	15.66	14.48	12.18	11.28
651-1790593		DFMC 1,5/13-ST-3,5-LR	C	13	13.25	46.3	15.6	22.65	16.94	15.66	13.18	12.21
651-1790603		DFMC 1,5/14-ST-3,5-LR	C	14	13.25	49.8	15.6	22.65	18.17	16.80	14.14	13.10
651-1790616		DFMC 1,5/15-ST-3,5-LR	C	15	13.25	53.3	15.6	22.65	19.46	18.00	15.14	14.03
651-1790629		DFMC 1,5/16-ST-3,5-LR	C	16	13.25	56.8	15.6	22.65	20.70	19.14	16.10	14.92
651-1790632		DFMC 1,5/17-ST-3,5-LR	C	17	13.25	60.3	15.6	22.65	21.98	20.32	17.09	15.84
651-1790645		DFMC 1,5/18-ST-3,5-LR	C	18	13.25	63.8	15.6	22.65	23.22	21.47	18.06	16.73
651-1790658		DFMC 1,5/19-ST-3,5-LR	C	19	13.25	67.3	15.6	22.65	24.50	22.65	19.06	17.66
651-1790661		DFMC 1,5/20-ST-3,5-LR	C	20	13.25	70.8	15.6	22.65	25.87	23.92	20.12	18.64

## FKD50 5.0MM SPRING-CAGE PCB TERMINAL BLOCKS

### Features:

- Conductors can be easily wired without tools
- Fast connection and removal of conductors
- Pinning identical to the MKD50 (orthogonal screw PCB terminal block)
- 2, 3, and 4-position terminal block versions
- The FKD50 has a pin spacing of 5.00 mm.
- UL Use Group D: 10A (amperage )/300V (voltage)
- For use in 12.5, 17.5, 22.5, 35, and 45 mm ME(MAX) housings

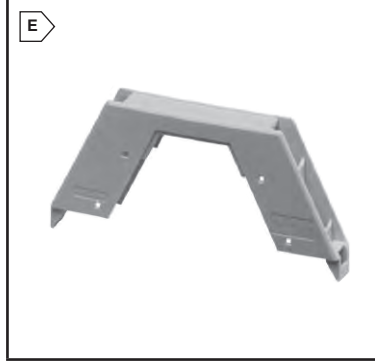
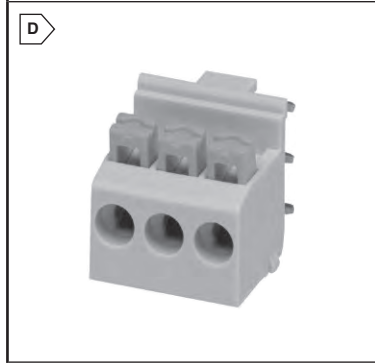
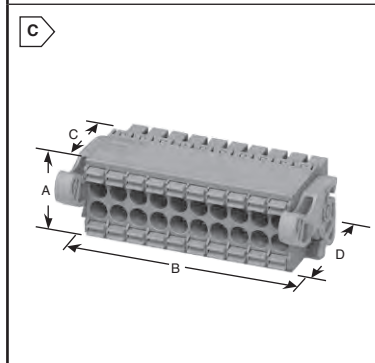
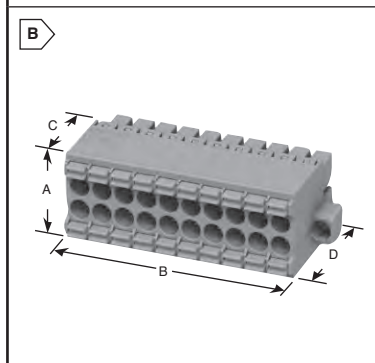
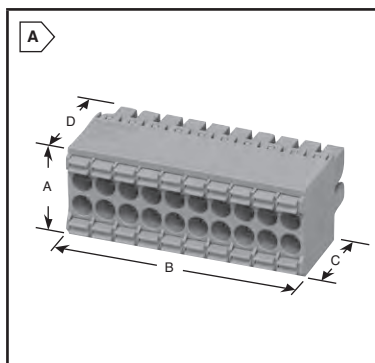
For quantities greater than listed, call for quote.

MOUSER STOCK NO.		Phoenix Type	Fig.	Description	Price Each			
Mfr.	Mfr. Part No.				1	10	50	100
651-2200315		FKD50 2,5/ 2-R	D	2-position block, right-hand side	2.43	2.21	2.04	1.89
651-2200316		FKD50 2,5/ 2-L	D	2-position block, left-hand side	2.43	2.21	2.04	1.89
651-2200317		FKD50 2,5/ 3-R	D	3-position block, right-hand side	3.61	3.28	3.03	2.81
651-2200318		FKD50 2,5/ 3-L	D	3-position block, left-hand side	3.61	3.28	3.03	2.81
651-2200319		FKD50 2,5/ 4-R	D	4-position block, right-hand side	4.89	4.44	4.10	3.81
651-2200320		FKD50 2,5/ 4-L	D	4-position block, left-hand side	4.89	4.44	4.10	3.81

### Housings

For quantities greater than listed, call for quote.

MOUSER STOCK NO.		Phoenix Type	Fig.	Description	Price Each			
Mfr.	Mfr. Part No.				1	10	50	100
651-2200321		ME 12,5 OT-FKD50	E	ME upper part, 12.5 mm width	1.43	1.30	1.20	1.11
651-2200322		ME 17,5 OT-FKD50	E	ME upper part, 17.5 mm width	1.71	1.55	1.43	1.33
651-2200323		ME 22,5 OT-FKD50	E	ME upper part, 22.5 mm width	1.75	1.59	1.47	1.36
651-2200327		ME 45 OT-FKD50	E	ME upper part, 45 mm width	2.89	2.63	2.42	2.25



NEW AT MOUSER NEW AT MOUSER NEW AT MOUSER