

PHOENIX CONTACT PCB Terminal Blocks



RoHS Compliant This product is RoHS compliant.

DFMC DMC(V) SERIES TERMINAL BLOCKS

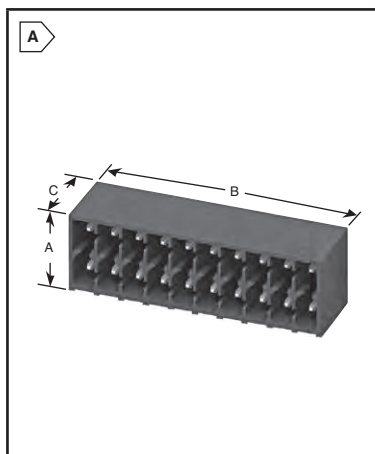
Features:

- Push-in spring technology for fast wire assembly
- 20% space saving on the PCB
- Insert molded header with accurate pin placement for high pick-and-place yields
- Compatible to MC family "footprint"
- Alternative latching options for flexibility in application neederamic package
- 24 to 16 AWG
- 8A and 150V rating
- Spacing: 3.5 mm

3.5mm Horizontal Header, No Latch

For quantities greater than listed, call for quote.

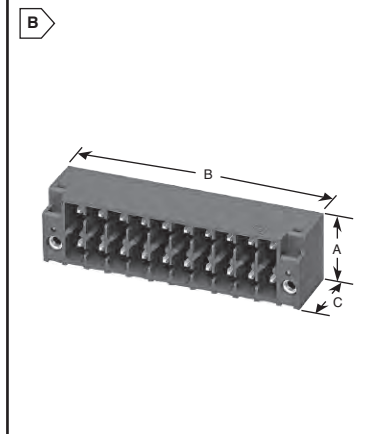
MOUSER STOCK NO.		Phoenix Type	Fig.	No. of Pos.	Dimensions: mm			Price Each			
Mfr.	Mfr. Part No.				A	B	C	1	10	50	100
651	1786837	DMC 1,5/ 2-G1-3,5 P20THR	A	2	10.8	7.80	11.6	1.00	.93	.78	.72
651	1786840	DMC 1,5/ 3-G1-3,5 P20THR	A	3	10.8	11.3	11.6	1.56	1.44	1.21	1.12
651	1786853	DMC 1,5/ 4-G1-3,5 P20THR	A	4	10.8	14.8	11.6	2.05	1.89	1.59	1.47
651	1786866	DMC 1,5/ 5-G1-3,5 P20THR	A	5	10.8	18.3	11.6	2.60	2.41	2.02	1.88
651	1786879	DMC 1,5/ 6-G1-3,5 P20THR	A	6	10.8	21.8	11.6	3.16	2.92	2.46	2.28
651	1786882	DMC 1,5/ 7-G1-3,5 P20THR	A	7	10.8	25.3	11.6	3.65	3.37	2.84	2.63
651	1786895	DMC 1,5/ 8-G1-3,5 P20THR	A	8	10.8	28.8	11.6	4.16	3.85	3.24	3.00
651	1786905	DMC 1,5/ 9-G1-3,5 P20THR	A	9	10.8	32.3	11.6	4.68	4.33	3.64	3.37
651	1786918	DMC 1,5/ 10-G1-3,5 P20THR	A	10	10.8	35.8	11.6	5.25	4.85	4.08	3.78
651	1786921	DMC 1,5/ 11-G1-3,5 P20THR	A	11	10.8	39.3	11.6	5.76	5.33	4.48	4.15
651	1786934	DMC 1,5/ 12-G1-3,5 P20THR	A	12	10.8	42.8	11.6	6.25	5.78	4.86	4.50
651	1786947	DMC 1,5/ 13-G1-3,5 P20THR	A	13	10.8	46.3	11.6	6.76	6.25	5.26	4.87
651	1786950	DMC 1,5/ 14-G1-3,5 P20THR	A	14	10.8	49.8	11.6	7.29	6.74	5.67	5.25
651	1786963	DMC 1,5/ 15-G1-3,5 P20THR	A	15	10.8	53.3	11.6	7.81	7.22	6.07	5.63
651	1786976	DMC 1,5/ 16-G1-3,5 P20THR	A	16	10.8	56.8	11.6	8.29	7.66	6.44	5.97
651	1786989	DMC 1,5/ 17-G1-3,5 P20THR	A	17	10.8	60.3	11.6	8.81	8.14	6.85	6.35
651	1786992	DMC 1,5/ 18-G1-3,5 P20THR	A	18	10.8	63.8	11.6	9.33	8.63	7.26	6.72
651	1787001	DMC 1,5/ 19-G1-3,5 P20THR	A	19	10.8	67.3	11.6	9.77	9.03	7.60	7.04
651	1787580	DMC 1,5/ 20-G1-3,5 P20THR	A	20	10.8	70.8	11.6	10.29	9.51	8.00	7.41



3.5mm Horizontal Header, Screw Latch

For quantities greater than listed, call for quote.

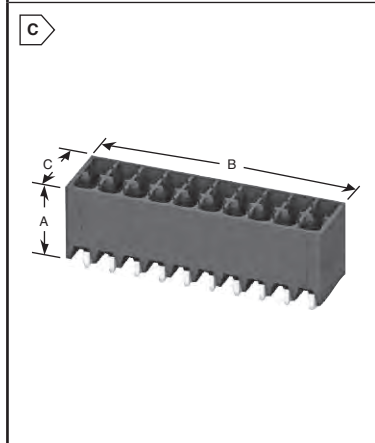
MOUSER STOCK NO.		Phoenix Type	Fig.	No. of Pos.	Dimensions: mm			Price Each			
Mfr.	Mfr. Part No.				A	B	C	1	10	50	100
651	1787014	DMC 1,5/ 2-G1F-3,5-LR P20THR	B	2	10.8	14.0	11.6	1.92	1.78	1.50	1.39
651	1787027	DMC 1,5/ 3-G1F-3,5-LR P20THR	B	3	10.8	17.5	11.6	2.48	2.29	1.93	1.79
651	1787030	DMC 1,5/ 4-G1F-3,5-LR P20THR	B	4	10.8	21.0	11.6	2.96	2.74	2.30	2.13
651	1787043	DMC 1,5/ 5-G1F-3,5-LR P20THR	B	5	10.8	24.5	11.6	3.53	3.26	2.74	2.54
651	1787056	DMC 1,5/ 6-G1F-3,5-LR P20THR	B	6	10.8	28.0	11.6	4.13	3.82	3.21	2.97
651	1787069	DMC 1,5/ 7-G1F-3,5-LR P20THR	B	7	10.8	31.5	11.6	4.53	4.19	3.52	3.26
651	1787072	DMC 1,5/ 8-G1F-3,5-LR P20THR	B	8	10.8	35.0	11.6	5.08	4.70	3.95	3.66
651	1787085	DMC 1,5/ 9-G1F-3,5-LR P20THR	B	9	10.8	38.5	11.6	5.61	5.18	4.36	4.04
651	1787098	DMC 1,5/ 10-G1F-3,5-LR P20THR	B	10	10.8	42.0	11.6	6.21	5.74	4.83	4.47
651	1787108	DMC 1,5/ 11-G1F-3,5-LR P20THR	B	11	10.8	45.5	11.6	6.73	6.22	5.23	4.85
651	1787111	DMC 1,5/ 12-G1F-3,5-LR P20THR	B	12	10.8	49.0	11.6	7.16	6.62	5.57	5.16
651	1787124	DMC 1,5/ 13-G1F-3,5-LR P20THR	B	13	10.8	52.5	11.6	7.69	7.11	5.98	5.54
651	1787137	DMC 1,5/ 14-G1F-3,5-LR P20THR	B	14	10.8	56.0	11.6	8.21	7.59	6.38	5.91
651	1787140	DMC 1,5/ 15-G1F-3,5-LR P20THR	B	15	10.8	59.5	11.6	8.69	8.03	6.76	6.26
651	1787153	DMC 1,5/ 16-G1F-3,5-LR P20THR	B	16	10.8	63.0	11.6	9.21	8.51	7.16	6.64
651	1787166	DMC 1,5/ 17-G1F-3,5-LR P20THR	B	17	10.8	66.5	11.6	9.73	9.00	7.57	7.01
651	1787179	DMC 1,5/ 18-G1F-3,5-LR P20THR	B	18	10.8	70.0	11.6	10.25	9.48	7.98	7.39
651	1787182	DMC 1,5/ 19-G1F-3,5-LR P20THR	B	19	10.8	73.5	11.6	10.73	9.92	8.35	7.73
651	1787195	DMC 1,5/ 20-G1F-3,5-LR P20THR	B	20	10.8	77.0	11.6	11.26	10.41	8.75	8.11



3.5mm Vertical Header, No Latch

For quantities greater than listed, call for quote.

MOUSER STOCK NO.		Phoenix Type	Fig.	No. of Pos.	Dimensions: mm			Price Each			
Mfr.	Mfr. Part No.				A	B	C	1	10	50	100
651	1787205	DMCV 1,5/ 2-G1-3,5 P20THR	C	2	10.8	7.80	11.6	1.00	.93	.78	.72
651	1787218	DMCV 1,5/ 3-G1-3,5 P20THR	C	3	10.8	11.3	11.6	1.56	1.44	1.21	1.12
651	1787221	DMCV 1,5/ 4-G1-3,5 P20THR	C	4	10.8	14.8	11.6	2.05	1.89	1.59	1.47
651	1787247	DMCV 1,5/ 6-G1-3,5 P20THR	C	6	10.8	21.8	11.6	3.16	2.92	2.46	2.28
651	1787250	DMCV 1,5/ 7-G1-3,5 P20THR	C	7	10.8	25.3	11.6	3.65	3.37	2.84	2.63
651	1787263	DMCV 1,5/ 8-G1-3,5 P20THR	C	8	10.8	28.8	11.6	4.16	3.85	3.24	3.00
651	1787276	DMCV 1,5/ 9-G1-3,5 P20THR	C	9	10.8	32.3	11.6	4.68	4.33	3.64	3.37
651	1787289	DMCV 1,5/ 10-G1-3,5 P20THR	C	10	10.8	35.8	11.6	5.25	4.85	4.08	3.78
651	1787292	DMCV 1,5/ 11-G1-3,5 P20THR	C	11	10.8	39.3	11.6	5.76	5.33	4.48	4.15
651	1787302	DMCV 1,5/ 12-G1-3,5 P20THR	C	12	10.8	42.8	11.6	6.25	5.78	4.86	4.50
651	1787315	DMCV 1,5/ 13-G1-3,5 P20THR	C	13	10.8	46.3	11.6	6.76	6.25	5.26	4.87
651	1787328	DMCV 1,5/ 14-G1-3,5 P20THR	C	14	10.8	49.8	11.6	7.29	6.74	5.67	5.25
651	1787331	DMCV 1,5/ 15-G1-3,5 P20THR	C	15	10.8	53.3	11.6	7.81	7.22	6.07	5.63
651	1787344	DMCV 1,5/ 16-G1-3,5 P20THR	C	16	10.8	56.8	11.6	8.29	7.66	6.44	5.97
651	1787357	DMCV 1,5/ 17-G1-3,5 P20THR	C	17	10.8	60.3	11.6	8.81	8.14	6.85	6.35
651	1787360	DMCV 1,5/ 18-G1-3,5 P20THR	C	18	10.8	63.8	11.6	9.33	8.63	7.26	6.72
651	1787373	DMCV 1,5/ 19-G1-3,5 P20THR	C	19	10.8	67.3	11.6	9.77	9.03	7.60	7.04
651	1787386	DMCV 1,5/ 20-G1-3,5 P20THR	C	20	10.8	70.8	11.6	10.29	9.51	8.00	7.41



3.5mm Vertical Header, Screw Latch

For quantities greater than listed, call for quote.

MOUSER STOCK NO.		Phoenix Type	Fig.	No. of Pos.	Dimensions: mm			Price Each			
Mfr.	Mfr. Part No.				A	B	C	1	10	50	100
651	1787399	DMCV 1,5/ 2-G1F-3,5-LR P20THR	D	2	10	14.0	10.6	1.92	1.78	1.50	1.39
651	1787409	DMCV 1,5/ 3-G1F-3,5-LR P20THR	D	3	10	17.5	10.6	2.48	2.29	1.93	1.79
651	1787412	DMCV 1,5/ 4-G1F-3,5-LR P20THR	D	4	10	21.0	10.6	2.96	2.74	2.30	2.13
651	1787425	DMCV 1,5/ 5-G1F-3,5-LR P20THR	D	5	10	24.5	10.6	3.53	3.26	2.74	2.54
651	1787438	DMCV 1,5/ 6-G1F-3,5-LR P20THR	D	6	10	28.0	10.6	4.13	3.82	3.21	2.97
651	1787441	DMCV 1,5/ 7-G1F-3,5-LR P20THR	D	7	10	31.5	10.6	4.53	4.19	3.52	3.26
651	1787454	DMCV 1,5/ 8-G1F-3,5-LR P20THR	D	8	10	35.0	10.6	5.08	4.70	3.95	3.66
651	1787467	DMCV 1,5/ 9-G1F-3,5-LR P20THR	D	9	10	38.5	10.6	5.61	5.18	4.36	4.04
651	1787470	DMCV 1,5/ 10-G1F-3,5-LR P20THR	D	10	10	42.0	10.6	6.21	5.74	4.83	4.47
651	1787483	DMCV 1,5/ 11-G1F-3,5-LR P20THR	D	11	10	45.5	10.6	6.73	6.22	5.23	4.85
651	1787496	DMCV 1,5/ 12-G1F-3,5-LR P20THR	D	12	10	49.0	10.6	7.16	6.62	5.57	5.16
651	1787506	DMCV 1,5/ 13-G1F-3,5-LR P20THR	D	13	10	52.5	10.6	7.69	7.11	5.98	5.54
651	1787519	DMCV 1,5/ 14-G1F-3,5-LR P20THR	D	14	10	56.0	10.6	8.21	7.59	6.38	5.91
651	1787522	DMCV 1,5/ 15-G1F-3,5-LR P20THR	D	15	10	59.5	10.6	8.69	8.03	6.76	6.26
651	1787535	DMCV 1,5/ 16-G1F-3,5-LR P20THR	D	16	10	63.0	10.6	9.21	8.51	7.16	6.64
651	1787548	DMCV 1,5/ 17-G1F-3,5-LR P20THR	D	17	10	66.5	10.6	9.73	9.00	7.57	7.01
651	1787551	DMCV 1,5/ 18-G1F-3,5-LR P20THR	D	18	10	70.0	10.6	10.25	9.48	7.98	7.39
651	1787564	DMCV 1,5/ 19-G1F-3,5-LR P20THR	D	19	10	73.5	10.6	10.73	9.92	8.35	7.73
651	1787577	DMCV 1,5/ 20-G1F-3,5-LR P20THR	D	20	10	77.0	10.6	11.26	10.41	8.75	8.11

