

PHOENIX CONTACT Pluggable Terminal Blocks



This product is RoHS compliant. (3.81mm and 5.08mm)

3.81MM PLUGGABLE TERMINAL BLOCKS WITH SCREW FLANGES

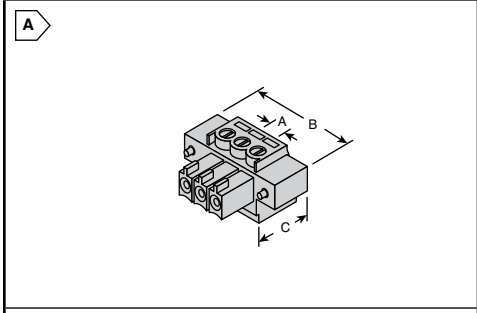
- RoHS Compliant per Phoenix documentation
- Color: Green
- Max. Voltage: 300V
- Captive Screws
- Max Current: 8A



Plugs with Screw Flange - Wire Size: 30-16AWG - Screw Clamp Wire Termination

For quantities greater than listed, call for quote.

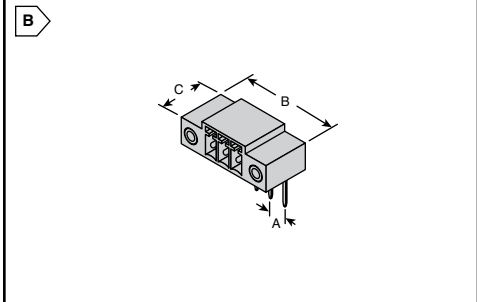
MOUSER STOCK NO.		Fig.	Phoenix Type	No. of Pos.	Dimensions: mm			Price Each			
Mfr.	Mfr. Part No.				A	B	C	1	10	50	100
651—1827703	A	MC 1.5/2-STF-3.81	2	3.81	8.41	9.50	2.00	1.85	1.58	1.46	
651—1827716	A	MC 1.5/3-STF-3.81	3	3.81	12.22	9.50	2.97	2.78	2.45	2.25	
651—1827729	A	MC 1.5/4-STF-3.81	4	3.81	16.03	9.50	4.02	3.83	3.25	3.00	
651—1827732	A	MC 1.5/5-STF-3.81	5	3.81	19.84	9.50	4.97	4.64	3.95	3.65	
651—1827745	A	MC 1.5/6-STF-3.81	6	3.81	23.65	9.50	5.91	5.52	4.72	4.36	
651—1827761	A	MC 1.5/8-STF-3.81	8	3.81	27.46	9.50	7.97	7.40	6.31	5.83	
651—1827787	A	MC 1.5/10-STF-3.81	10	3.81	31.27	9.50	10.00	9.23	7.87	7.27	
651—1827800	A	MC 1.5/12-STF-3.81	12	3.81	35.08	9.50	12.02	11.10	9.46	8.74	



Horizontal Headers with Threaded Flange

For quantities greater than listed, call for quote.

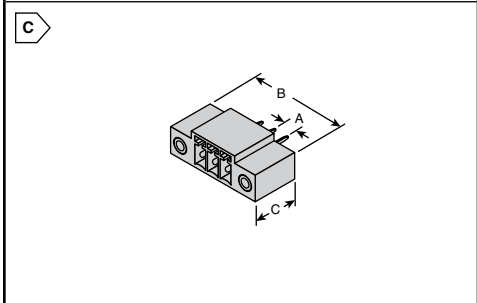
MOUSER STOCK NO.		Fig.	Phoenix Type	No. of Pos.	Dimensions: mm			Price Each			
Mfr.	Mfr. Part No.				A	B	C	1	10	50	100
651—1827868	B	MC 1.5/2-GF-3.81	2	3.81	18.01	7.25	2.06	1.90	1.62	1.49	
651—1827871	B	MC 1.5/3-GF-3.81	3	3.81	21.82	7.25	2.40	2.22	1.89	1.75	
651—1827884	B	MC 1.5/4-GF-3.81	4	3.81	25.63	7.25	2.70	2.50	2.13	1.97	
651—1827897	B	MC 1.5/5-GF-3.81	5	3.81	29.44	7.25	3.00	2.77	2.37	2.18	
651—1827907	B	MC 1.5/6-GF-3.81	6	3.81	33.25	7.25	3.34	3.09	2.63	2.43	
651—1827923	B	MC 1.5/8-GF-3.81	8	3.81	37.06	7.25	3.94	3.64	3.10	2.87	
651—1827949	B	MC 1.5/10-GF-3.81	10	3.81	40.87	7.25	4.59	4.24	3.61	3.34	
651—1827965	B	MC 1.5/12-GF-3.81	12	3.81	44.68	7.25	5.19	4.79	4.08	3.77	



Vertical Headers with Threaded Flange

For quantities greater than listed, call for quote.

MOUSER STOCK NO.		Fig.	Phoenix Type	No. of Pos.	Dimensions: mm			Price Each			
Mfr.	Mfr. Part No.				A	B	C	1	10	50	100
651—1830596	C	MCV 1.5/2-GF-3.81	2	3.81	18.01	9.20	2.11	1.95	1.66	1.54	
651—1830606	C	MCV 1.5/3-GF-3.81	3	3.81	21.82	9.20	2.42	2.28	1.94	1.79	
651—1830619	C	MCV 1.5/4-GF-3.81	4	3.81	25.63	9.20	2.70	2.50	2.13	1.97	
651—1830622	C	MCV 1.5/5-GF-3.81	5	3.81	29.44	9.20	3.01	2.78	2.38	2.19	
651—1830635	C	MCV 1.5/6-GF-3.81	6	3.81	33.25	9.20	3.35	3.10	2.64	2.44	
651—1830651	C	MCV 1.5/8-GF-3.81	8	3.81	37.06	9.20	4.06	3.74	3.19	2.95	
651—1830677	C	MCV 1.5/10-GF-3.81	10	3.81	40.87	9.20	4.59	4.24	3.61	3.34	
651—1830693	C	MCV 1.5/12-GF-3.81	12	3.81	44.68	9.20	5.33	4.92	4.19	3.88	



5.08MM PLUGGABLE TERMINAL BLOCKS WITH SCREW FLANGES

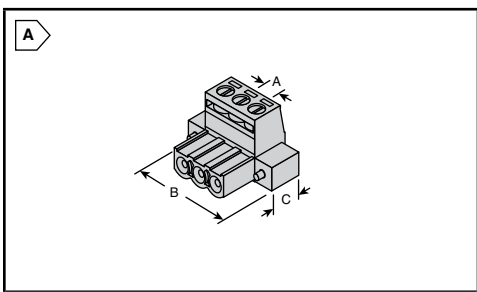
- RoHS Compliant per Phoenix documentation
- Color: Green
- Max. Voltage: 300V
- Captive Screws
- Max Current: 10A



Plugs with Screw Flange - Wire Size: 30-12 AWG - Screw Clamp Wire Termination

For quantities greater than listed, call for quote.

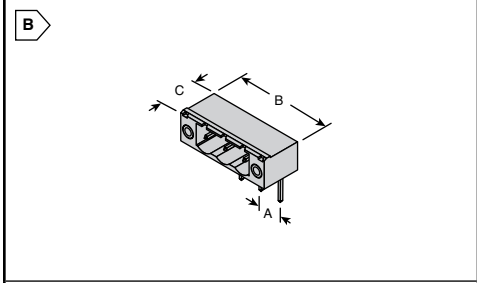
MOUSER STOCK NO.		Fig.	Phoenix Type	No. of Pos.	Dimensions: mm			Price Each			
Mfr.	Mfr. Part No.				A	B	C	1	10	50	100
651—1777989	A	MSTB 2.5/2-STF-5.08	2	5.08	20.32	9.90	1.74	1.62	1.54	1.42	
651—1777992	A	MSTB 2.5/3-STF-5.08	3	5.08	25.40	9.90	2.92	2.70	2.29	2.12	
651—1778001	A	MSTB 2.5/4-STF-5.08	4	5.08	30.48	9.90	3.85	3.56	3.03	2.80	
651—1778014	A	MSTB 2.5/5-STF-5.08	5	5.08	35.56	9.90	4.84	4.47	3.80	3.52	
651—1778027	A	MSTB 2.5/6-STF-5.08	6	5.08	40.64	9.90	5.19	4.44	4.16	4.04	
651—1778043	A	MSTB 2.5/8-STF-5.08	8	5.08	45.72	9.90	7.74	7.15	6.10	5.63	
651—1778069	A	MSTB 2.5/10-STF-5.08	10	5.08	50.80	9.90	9.63	8.88	7.58	7.00	



Horizontal Headers with Threaded Flange

For quantities greater than listed, call for quote.

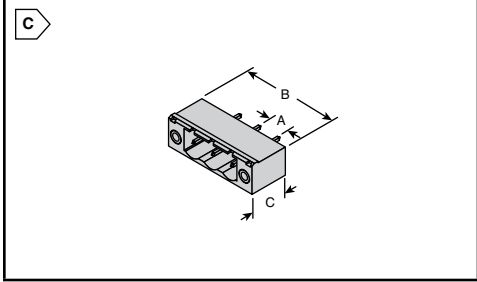
MOUSER STOCK NO.		Fig.	Phoenix Type	No. of Pos.	Dimensions: mm			Price Each			
Mfr.	Mfr. Part No.				A	B	C	1	10	50	100
651—1776508	B	MSTB 2.5/2-GF-5.08	2	5.08	20.32	8.60	1.47	1.36	1.16	1.06	
651—1776511	B	MSTB 2.5/3-GF-5.08	3	5.08	25.40	8.60	2.23	2.06	1.75	1.62	
651—1776524	B	MSTB 2.5/4-GF-5.08	4	5.08	30.48	8.60	2.98	2.76	2.35	2.17	
651—1776537	B	MSTB 2.5/5-GF-5.08	5	5.08	35.56	8.60	3.73	3.44	2.93	2.71	
651—1776540	B	MSTB 2.5/6-GF-5.08	6	5.08	40.64	8.60	4.47	4.13	3.52	3.26	
651—1776566	B	MSTB 2.5/8-GF-5.08	8	5.08	45.72	8.60	5.97	5.51	4.70	4.34	
651—1776582	B	MSTB 2.5/10-GF-5.08	10	5.08	50.80	8.60	7.45	6.87	5.86	5.42	



Vertical Headers with Threaded Flange

For quantities greater than listed, call for quote.

MOUSER STOCK NO.		Fig.	Phoenix Type	No. of Pos.	Dimensions: mm			Price Each			
Mfr.	Mfr. Part No.				A	B	C	1	10	50	100
651—1777073	C	MSTBV 2.5/2-GF-5.08	2	5.08	20.32	12.00	2.21	2.05	1.74	1.61	
651—1777086	C	MSTBV 2.5/3-GF-5.08	3	5.08	25.40	12.00	2.57	2.37	2.02	1.86	
651—1777099	C	MSTBV 2.5/4-GF-5.08	4	5.08	30.48	12.00	2.97	2.75	2.34	2.16	
651—1777109	C	MSTBV 2.5/5-GF-5.08	5	5.08	35.56	12.00	3.20	2.95	2.51	2.33	
651—1777112	C	MSTBV 2.5/6-GF-5.08	6	5.08	40.64	12.00	3.58	3.31	2.82	2.60	
651—1777138	C	MSTBV 2.5/8-GF-5.08	8	5.08	45.72	12.00	4.27	3.95	3.36	3.11	
651—1777154	C	MSTBV 2.5/10-GF-5.08	10	5.08	50.80	12.00	4.98	4.60	3.92	3.63	



Terminal Blocks

Phoenix Contact

