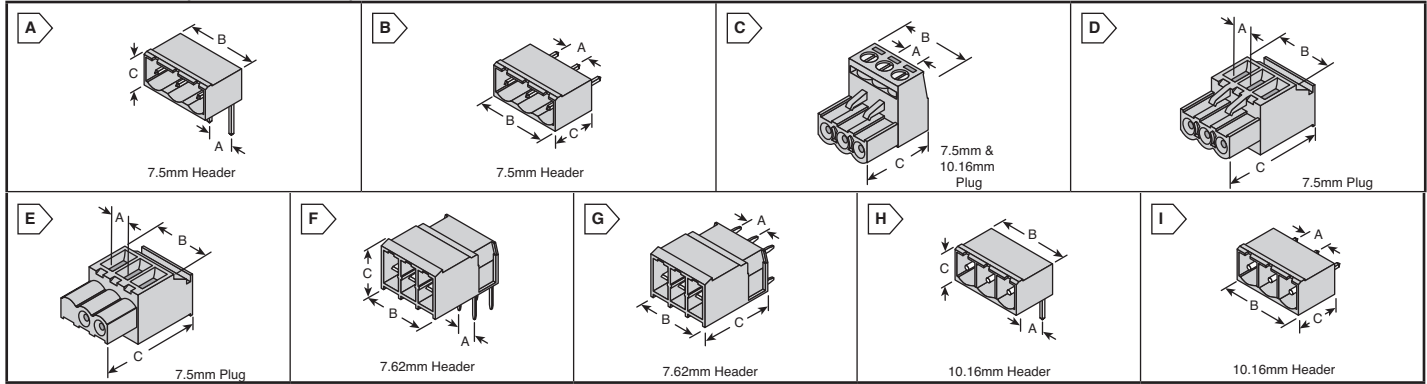


PHOENIX CONTACT Pluggable PCB Terminal Blocks



RoHS Compliant This product is RoHS compliant.

(7.5mm, 7.62mm, 10.16mm and 15.00mm)



7.5MM HEADERS

Single Level, Through-Hole Solder Mounting

• RoHS compliant per Phoenix documentation

For quantities greater than listed, call for quote.

MOUSER STOCK NO.		Fig.	Phoenix Type	No. of Pos.	Dimensions: mm			Price Each		
Mfr	Mfr. Part No.				A	B	C	1	10	50
90° Socket-to-Pin Orientation UL:300V @ 10A, Green Color										
651-1766343		A	GMSTBA 2.5/2-G	2	7.5	15.0	8.6	.98	.91	.776
651-1766356		A	GMSTBA 2.5/3-G	3	7.5	22.5	8.6	1.40	1.31	1.12
651-1766369		A	GMSTBA 2.5/4-G	4	7.5	30.0	8.6	1.91	1.76	1.50
651-1766372		A	GMSTBA 2.5/5-G	5	7.5	37.5	8.6	2.36	2.13	1.86
651-1766385		A	GMSTBA 2.5/6-G	6	7.5	45.0	8.6	2.85	2.65	2.26
651-1766398		A	GMSTBA 2.5/7-G	7	7.5	52.5	8.6	3.32	3.07	2.96
651-1766411		A	GMSTBA 2.5/9-G	9	7.5	67.5	8.6	4.29	3.96	3.37
651-1766424		A	GMSTBA 2.5/10-G	10	7.5	75.0	8.6	4.70	4.38	3.75
651-1766440		A	GMSTBA 2.5/12-G	12	7.5	90.0	8.6	5.64	5.26	4.48
180° Socket-to-Pin Orientation UL:300V @ 10A, Green Color										
651-1766660		B	GMSTBVA 2.5/2-G	2	7.5	15.0	12.0	.99	.911	.777
651-1766673		B	GMSTBVA 2.5/3-G	3	7.5	22.5	12.0	1.44	1.33	1.12
651-1766686		B	GMSTBVA 2.5/4-G	4	7.5	30.0	12.0	1.91	1.77	1.50
651-1766699		B	GMSTBVA 2.5/5-G	5	7.5	37.5	12.0	2.31	2.19	1.86
651-1766709		B	GMSTBVA 2.5/6-G	6	7.5	45.0	12.0	2.88	2.67	2.27
651-1766712		B	GMSTBVA 2.5/7-G	7	7.5	52.5	12.0	3.34	3.09	2.63
651-1766725		B	GMSTBVA 2.5/8-G	8	7.5	60.0	12.0	3.80	3.44	3.00

7.5MM PLUGS

Screw Clamp Wire Termination

• RoHS compliant per Phoenix documentation

For quantities greater than listed, call for quote.

MOUSER STOCK NO.		Fig.	Phoenix Type	No. of Pos.	Dimensions: mm			Price Each		
Mfr	Mfr. Part No.				A	B	C	1	10	50
180° Wire-to-Plug Orientation UL: 300V @ 10A, 30-12AWG, Green Color										
651-1766880		C	GMSTB 2.5/2-ST	2	7.5	13.0	18.2	2.95	2.73	2.32
651-1766893		C	GMSTB 2.5/3-ST	3	7.5	20.5	18.2	4.46	4.13	3.52
651-1766903		C	GMSTB 2.5/4-ST	4	7.5	28.0	18.2	5.93	5.48	4.67
651-1766916		C	GMSTB 2.5/5-ST	5	7.5	35.5	18.2	7.31	6.76	5.76
651-1766929		C	GMSTB 2.5/6-ST	6	7.5	43.0	18.2	8.88	8.19	6.99
651-1766932		C	GMSTB 2.5/7-ST	7	7.5	50.5	18.2	9.92	8.91	8.07
651-1766945		C	GMSTB 2.5/8-ST	8	7.5	58.0	18.2	11.85	10.94	9.31
651-1766958		C	GMSTB 2.5/9-ST	9	7.5	65.5	18.2	13.06	12.17	10.37
651-1766961		C	GMSTB 2.5/10-ST	10	7.5	73.0	18.2	14.55	13.56	11.56
651-1766987		C	GMSTB 2.5/12-ST	12	7.5	88.0	18.2	17.43	16.26	13.86
90° Wire-to-Plug Orientation UL: 300V @ 10A, 30-12AWG, Green Color										
651-1737709		D	GMVSTBR 2.5/2-ST	2	7.5	13.0	26.0	2.98	2.76	2.35
651-1737712		D	GMVSTBR 2.5/3-ST	3	7.5	20.5	26.0	4.49	4.14	3.52
651-1737725		D	GMVSTBR 2.5/4-ST	4	7.5	28.0	26.0	5.87	5.46	4.66
651-1737738		D	GMVSTBR 2.5/5-ST	5	7.5	35.5	26.0	7.38	6.83	5.21
651-1737741		D	GMVSTBR 2.5/6-ST	6	7.5	43.0	26.0	8.79	8.19	6.97
651-1737767		D	GMVSTBR 2.5/8-ST	8	7.5	58.0	26.0	11.83	10.92	9.31
651-1737806		D	GMVSTBR 2.5/12-ST	12	7.5	88.0	26.0	15.11	13.54	13.02
270° Wire-to-Plug Orientation UL: 300V @ 10A, 30-12AWG, Green Color										
651-1737819		E	GMVSTBW 2.5/2-ST	2	7.5	13.0	26.0	2.98	2.76	2.35
651-1737822		E	GMVSTBW 2.5/3-ST	3	7.5	20.5	26.0	4.49	4.14	3.52
651-1737835		E	GMVSTBW 2.5/4-ST	4	7.5	28.0	26.0	5.87	5.46	4.66
651-1737848		E	GMVSTBW 2.5/5-ST	5	7.5	35.5	26.0	7.39	6.83	5.82
651-1737851		E	GMVSTBW 2.5/6-ST	6	7.5	43.0	26.0	8.78	8.27	7.04

© Copyright 2012 Mouser Electronics



7.62MM HEADERS

Single Level, Through-Hole Solder Mounting

• RoHS compliant per Phoenix documentation

For quantities greater than listed, call for quote.

MOUSER STOCK NO.		Fig.	Phoenix Type	No. of Pos.	Dimensions: mm			Price Each		
Mfr	Mfr. Part No.				A	B	C	1	10	50
90° Socket-to-Pin Orientation UL:300V @ 30A and 600V @ 20A, Green Color										
651-1804797		F	PC 4/2-G-7.62	2	7.62	15.22	14.3	2.39	2.26	2.14
651-1804807		F	PC 4/3-G-7.62	3	7.62	22.84	14.3	3.94	3.73	3.21
651-1804810		F	PC 4/4-G-7.62	4	7.62	30.46	14.3	5.17	4.90	4.19
180° Socket-to-Pin Orientation UL:300V @ 30A and 600V @ 20A, Green Color										
651-1804687		G	PCV 4/2-G-7.62	2	7.62	15.22	29.0	2.62	2.45	2.09
651-1804690		G	PCV 4/3-G-7.62	3	7.62	22.84	29.0	3.90	3.66	3.12
651-1804700		G	PCV 4/4-G-7.62	4	7.62	30.46	29.0	5.18	4.91	4.19

10.16MM HEADERS

Single Level, Through-Hole Solder Mounting

• RoHS compliant per Phoenix documentation

For quantities greater than listed, call for quote.

MOUSER STOCK NO.		Fig.	Phoenix Type	No. of Pos.	Dimensions: mm			Price Each		
Mfr	Mfr. Part No.				A	B	C	1	10	50
90° Socket-to-Pin Orientation UL: 300V @ 55A, Green Color										
651-1998933		H	PC 6-16/2-G1-10.16	2	10.16	23.36	13.4	4.24	4.04	3.44
651-1998946		H	PC 6-16/3-G1-10.16	3	10.16	33.52	13.4	5.70	5.53	5.16
651-1998959		H	PC 6-16/4-G1-10.16	4	10.16	43.68	13.4	8.66	8.23	7.03
180° Socket-to-Pin Orientation UL: 300V @ 55A, Green Color										
651-1998784		I	PCV 6-16/2-G1-10.16	2	10.16	23.36	32.0	4.23	4.03	3.43
651-1998797		I	PCV 6-16/3-G1-10.16	3	10.16	33.52	32.0	6.34	6.17	5.15
651-1998807		I	PCV 6-16/4-G1-10.16	4	10.16	43.68	32.0	8.66	8.06	6.87

10.16MM PLUGS

Screw Clamp Wire Termination

• RoHS compliant per Phoenix documentation

For quantities greater than listed, call for quote.

MOUSER STOCK NO.		Fig.	Phoenix Type	No. of Pos.	Dimensions: mm			Price Each		
Mfr	Mfr. Part No.				A	B	C	1	10	50
180° Wire-to-Plug Orientation UL: 300V @ 55A, 20-6AWG, Green Color										
651-1967375		C	PC 16/2-ST-10.16	2	10.16	20.16	41.5	7.04	6.71	5.72
651-1967388		C	PC 16/3-ST-10.16	3	10.16	30.32	41.5	10.56	10.06	8.57
651-1967391		C	PC 16/4-ST-10.16	4	10.16	40.48	41.5	14.24	13.41	11.42

15.00MM HEADERS & PLUGS

• Headers are Single level through hole solder mounting
• Plugs feature screw clamp wire termination

For quantities greater than listed, call for quote.

MOUSER STOCK NO.		Fig.	Phoenix Type	No. of Pos.	Dimensions: mm			Price Each		
Mfr	Mfr. Part No.				A	B	C	1	10	50
Header: 90° Socket-to-Pin Orientation 1000V @ 125A, Green Color										
651-1762741		C	PC 35 HC/2-GF-15.00	2	15.00	55.40	38.00	7.38	6.62	6.19
651-1762767		C	PC 35 HC/4-GF-15.00	4	15.00	84.40	38.00	14.78	13.24	12.39
Plug: 180° Socket-to-Pin Orientation 1000V @ 125A, Green Color										
651-1762592		I	PC35 HC/2-STF-15.00	2	15.00	55.40	52.00	16.40	14.70	13.76
651-1762615		I	PC35 HC/4-STF-15.00	4	15.00	84.40	52.00	32.83	29.44	27.53

© Copyright 2012 Mouser Electronics

Terminal Blocks Phoenix Contact