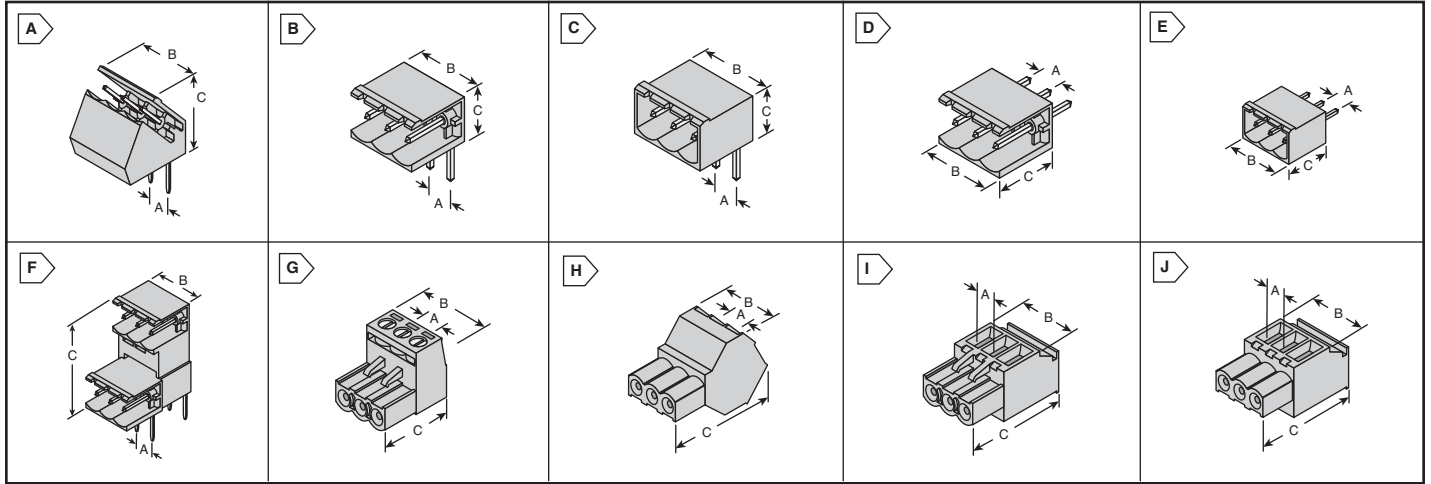


PHOENIX CONTACT 5.0mm Pluggable Terminal Blocks



RoHS Compliant. This product is RoHS compliant.



5.0MM HEADERS

- RoHS Compliant per Phoenix documentation
- Color: Green



PCB, Single Level, Thru-Hole Solder Mounting

- UL: 150V @ 15A and 300V @ 10A
- For quantities greater than listed, call for quote.

MOUSER STOCK NO.		Fig.	Phoenix Type	Pos.	Dimensions: mm			Price Each		
Mfr	Mfr. Part No.				A	B	C	1	10	50
135° Socket-to-Pin Orientation Without Side Panels										
651-1769230		A	SMSTB 2.5/2-G	2	5	10	14.8	.60	.559	.523
651-1769272		A	SMSTB 2.5/6-G	6	5	30	14.8	1.92	1.78	1.51
651-1769298		A	SMSTB 2.5/8-G	8	5	40	14.8	2.53	2.34	1.99
90° Socket-to-Pin Orientation Without Side Panels										
651-1754436		B	MSTB 2.5/2-G	2	5	10	8.6	.53	.481	.42
651-1754452		B	MSTB 2.5/3-G	3	5	15	8.6	.80	.731	.626
651-1754478		B	MSTB 2.5/4-G	4	5	20	8.6	1.07	.981	.836
651-1754494		B	MSTB 2.5/5-G	5	5	25	8.6	1.29	1.23	1.05
651-1754517		B	MSTB 2.5/6-G	6	5	30	8.6	1.38	1.26	1.16
651-1754533		B	MSTB 2.5/7-G	7	5	35	8.6	1.78	1.70	1.44
651-1754559		B	MSTB 2.5/8-G	8	5	40	8.6	2.03	1.94	1.65
651-1754575		B	MSTB 2.5/9-G	9	5	45	8.6	2.30	2.18	1.85
651-1754591		B	MSTB 2.5/10-G	10	5	50	8.6	2.56	2.42	2.06
651-1754614		B	MSTB 2.5/11-G	11	5	55	8.6	2.90	2.68	2.28
651-1754630		B	MSTB 2.5/12-G	12	5	60	8.6	3.12	2.92	2.49
90° Socket-to-Pin Orientation										
651-1757475		C	MSTBA2.5/2-G	2	5	12	8.6	1.55	.481	.409
651-1757488		C	MSTBA2.5/3-G	3	5	17	8.6	.80	.731	.626
651-1757491		C	MSTBA2.5/4-G	4	5	22	8.6	1.06	.971	.826
651-1757501		C	MSTBA2.5/5-G	5	5	27	8.6	1.28	1.22	1.04
651-1757514		C	MSTBA2.5/6-G	6	5	32	8.6	1.54	1.43	1.23
651-1755493		C	MSTBA2.5/7-G	7	5	37	8.6	1.77	1.71	1.44
651-1757527		C	MSTBA2.5/8-G	8	5	42	8.6	2.02	1.93	1.64
651-1757530		C	MSTBA2.5/9-G	9	5	47	8.6	2.38	2.21	1.87
651-1757543		C	MSTBA2.5/10-G	10	5	52	8.6	2.56	2.41	2.05
651-1757556		C	MSTBA2.5/11-G	11	5	57	8.6	2.88	2.67	2.28
651-1757569		C	MSTBA2.5/12-G	12	5	62	8.6	3.06	2.92	2.49
180° Socket-to-Pin Orientation Without Side Panels										
651-1753437		D	MSTBV 2.5/2-G	2	5	10	12	.52	.48	.419
651-1753453		D	MSTBV 2.5/3-G	3	5	15	12	.80	.731	.626
651-1753479		D	MSTBV 2.5/4-G	4	5	20	12	1.07	.981	.836
651-1753495		D	MSTBV 2.5/5-G	5	5	25	12	1.33	1.23	1.04
651-1753518		D	MSTBV 2.5/6-G	6	5	30	12	1.54	1.45	1.24
651-1753534		D	MSTBV 2.5/7-G	7	5	35	12	1.84	1.71	1.44
651-1753550		D	MSTBV 2.5/8-G	8	5	40	12	2.11	1.96	1.66
651-1753576		D	MSTBV 2.5/9-G	9	5	45	12	2.38	2.21	1.87
651-1753592		D	MSTBV 2.5/10-G	10	5	50	12	2.56	2.42	2.06
651-1753631		D	MSTBV 2.5/12-G	12	5	60	12	3.13	2.92	2.49
180° Socket-to-Pin Orientation										
651-1755516		E	MSTBVA2.5/2-G	2	5	12	12	.57	.532	.409
651-1755529		E	MSTBVA2.5/3-G	3	5	17	12	.85	.731	.626
651-1755532		E	MSTBVA2.5/4-G	4	5	22	12	1.06	.971	.826
651-1755545		E	MSTBVA2.5/5-G	5	5	27	12	1.34	1.24	1.05
651-1755558		E	MSTBVA2.5/6-G	6	5	32	12	1.54	1.42	1.23
651-1755561		E	MSTBVA2.5/7-G	7	5	37	12	1.78	1.70	1.44
651-1755574		E	MSTBVA2.5/8-G	8	5	42	12	2.06	1.93	1.64
651-1755587		E	MSTBVA2.5/9-G	9	5	47	12	2.31	2.19	1.86
651-1755503		E	MSTBVA2.5/10-G	10	5	52	12	2.55	2.42	2.06
651-1755590		E	MSTBVA2.5/11-G	11	5	57	12	2.91	2.69	2.29
651-1755600		E	MSTBVA2.5/12-G	12	5	62	12	3.13	2.92	2.49

Double Level, Thru-Hole Solder Mounting

- For quantities greater than listed, call for quote.

90° Socket-to-Pin Orientation Without Side Panels; UL: 150V @ 15A										
Mfr	Mfr. Part No.	Fig.	Phoenix Type	Pos.	A	B	C	1	10	50
651-1762046		F	MDSTB 2.5/2-G	2	5	10	23.5	1.93	1.78	1.52
651-1762059		F	MDSTB 2.5/3-G	3	5	15	23.5	2.70	2.53	2.16

5.0MM PLUGS

Screw Clamp Wire Termination



- RoHS Compliant per Phoenix documentation
- UL: 150V @ 15A and 300V @ 10A; 30-12AWG
- Color: Green

- For quantities greater than listed, call for quote.

MOUSER STOCK NO.		Fig.	Phoenix Type	Pos.	Dimensions: mm			Price Each		
Mfr	Mfr. Part No.				A	B	C	1	10	50
180° Wire-to-Plug Orientation										
651-1754449		G	MSTB 2.5/2-ST	2	5	10	18.2	1.50	1.41	1.19
651-1754465		G	MSTB 2.5/3-ST	3	5	15	18.2	2.26	2.11	1.80
651-1754481		G	MSTB 2.5/4-ST	4	5	20	18.2	3.01	2.82	2.40
651-1754504		G	MSTB 2.5/5-ST	5	5	25	18.2	3.75	3.49	3.01
651-1754520		G	MSTB 2.5/6-ST	6	5	30	18.2	4.50	4.20	3.58
651-1754546		G	MSTB 2.5/7-ST	7	5	35	18.2	5.23	4.91	4.19
651-1754562		G	MSTB 2.5/8-ST	8	5	40	18.2	6.01	5.61	4.79
651-1754588		G	MSTB 2.5/9-ST	9	5	45	18.2	6.69	6.38	5.44
651-1754601		G	MSTB 2.5/10-ST	10	5	50	18.2	7.50	7.01	5.99
651-1754627		G	MSTB 2.5/11-ST	11	5	55	18.2	8.21	7.72	6.56
651-1754643		G	MSTB 2.5/12-ST	12	5	60	18.2	8.99	8.40	7.18
135° Wire-to-Plug Orientation										
651-1768765		H	SMSTB 2.5/2-ST	2	5	10	25.5	2.04	1.97	1.68
651-1768778		H	SMSTB 2.5/3-ST	3	5	15	25.5	3.18	2.94	2.50
651-1768781		H	SMSTB 2.5/4-ST	4	5	20	25.5	4.22	3.90	3.32
651-1768794		H	SMSTB 2.5/5-ST	5	5	25	25.5	5.36	4.95	4.22
651-1768804		H	SMSTB 2.5/6-ST	6	5	30	25.5	6.39	5.91	5.03
651-1768817		H	SMSTB 2.5/7-ST	7	5	35	25.5	7.36	6.85	5.83
651-1768448		H	SMSTB 2.5/8-ST	8	5	40	25.5	8.49	7.84	6.69
651-1768820		H	SMSTB 2.5/9-ST	9	5	45	25.5	9.56	8.84	7.52
651-1768833		H	SMSTB 2.5/10-ST	10	5	50	25.5	10.63	9.81	8.37
651-1768859		H	SMSTB 2.5/12-ST	12	5	60	25.5	11.31	10.28	9.49
90° Wire-to-Plug Orientation										
651-1792016		I	MVSTBR 2.5/2-ST	2	5	10	26	1.78	1.65	1.40
651-1792029		I	MVSTBR 2.5/3-ST	3	5	15	26	2.34	2.11	1.98
651-1792032		I	MVSTBR 2.5/4-ST	4	5	20	26	3.48	3.27	2.79
651-1792045		I	MVSTBR 2.5/5-ST	5	5	25	26	4.36	4.08	3.48
651-1792058		I	MVSTBR 2.5/6-ST	6	5	30	26	5.19	4.92	4.18
651-1792061		I	MVSTBR 2.5/7-ST	7	5	35	26	6.05	5.69	4.86
651-1792074		I	MVSTBR 2.5/8-ST	8	5	40	26	6.91	6.50	5.55
651-1792087		I	MVSTBR 2.5/9-ST	9	5	45	26	7.82	7.33	6.24
651-1792090		I	MVSTBR 2.5/10-ST	10	5	50	26	8.69	8.13	6.93
651-1792100		I	MVSTBR 2.5/11-ST	11	5	55	26	9.33	8.94	7.61
651-1792113		I	MVSTBR 2.5/12-ST	12	5	60	26	10.37	9.77	8.33
270° Wire-to-Plug Orientation										
651-1792524		J	MVSTBW 2.5/2-ST	2	5	10	26	1.78	1.65	1.40
651-1792537		J	MVSTBW 2.5/3-ST	3	5	15	26	2.34	2.11	1.98
651-1792540		J	MVSTBW 2.5/4-ST	4	5	20	26	3.57	3.30	2.81
651-1792553		J	MVSTBW 2.5/5-ST	5	5	25	26	4.33	4.07	3.48
651-1792566		J	MVSTBW 2.5/6-ST	6	5	30	26	5.17	4.86	4.15
651-1792579		J	MVSTBW 2.5/7-ST	7	5	35	26	6.05	5.69	4.86
651-1792582		J	MVSTBW 2.5/8-ST	8	5	40	26	6.94	6.50	5.55
651-1792595		J	MVSTBW 2.5/9-ST	9	5	45	26	8.00	7.40	6.30
651-1792605		J	MVSTBW 2.5/10-ST	10	5	50	26	8.53	8.13	6.92
651-1792621		J	MVSTBW 2.5/12-ST	12	5	60	26	10.35	9.77	8.32