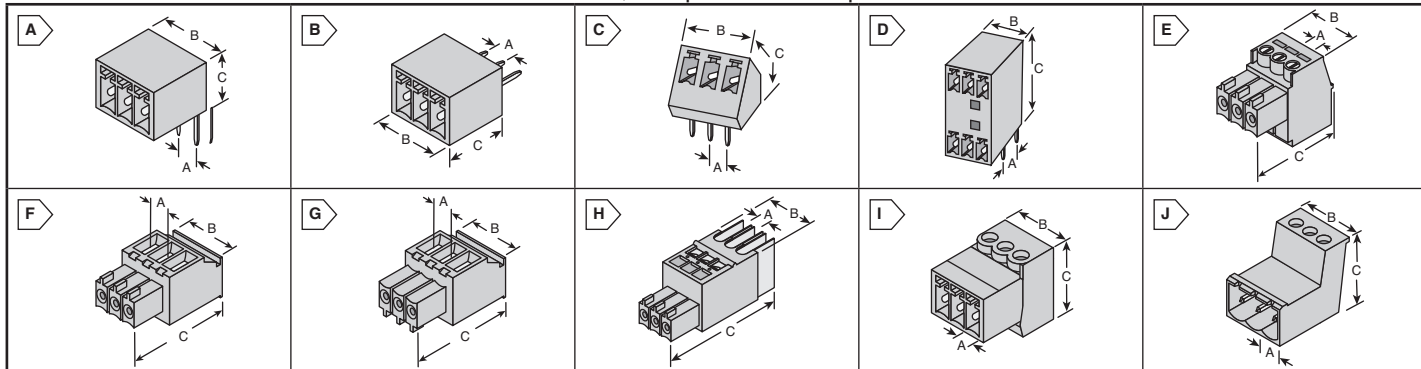


PHOENIX CONTACT Pluggable Terminal Blocks



RoHS Compliant This product is RoHS compliant.



3.81MM HEADERS

• RoHS Compliant per Phoenix documentation • UL: 300V @ 8A, 30-14AWG • Color: Green File# E60425

PCB, Single Level, Through-Hole Solder Mounting

MOUSER STOCK NO.	Mfr. Mfr. Part No.	Fig.	Phoenix Type	Pos.	Dimensions: mm			Price Each		
					A	B	C	1	10	50
90° Socket-to-Pin Orientation										
651-1803277	A	MC	1.5/2-G-3.81	2	3.81	9.01	7.25	.62	.571	.489
651-1803280	A	MC	1.5/3-G-3.81	3	3.81	12.82	7.25	.97	.891	.755
651-1803293	A	MC	1.5/4-G-3.81	4	3.81	16.63	7.25	1.24	1.20	1.03
651-1803303	A	MC	1.5/5-G-3.81	5	3.81	20.44	7.25	1.54	1.42	1.21
651-1803316	A	MC	1.5/6-G-3.81	6	3.81	24.25	7.25	1.85	1.74	1.48
651-1803329	A	MC	1.5/7-G-3.81	7	3.81	28.06	7.25	2.19	2.03	1.73
651-1803332	A	MC	1.5/8-G-3.81	8	3.81	31.87	7.25	2.47	2.31	1.97
651-1803345	A	MC	1.5/9-G-3.81	9	3.81	35.68	7.25	2.82	2.68	2.30
651-1803358	A	MC	1.5/10-G-3.81	10	3.81	39.49	7.25	3.12	2.94	2.53
651-1803361	A	MC	1.5/11-G-3.81	11	3.81	43.30	7.25	3.38	3.18	2.70
651-1803374	A	MC	1.5/12-G-3.81	12	3.81	47.11	7.25	3.75	3.48	2.96
651-1803387	A	MC	1.5/13-G-3.81	13	3.81	50.92	7.25	4.06	3.76	3.20
651-1803390	A	MC	1.5/14-G-3.81	14	3.81	54.73	7.25	4.26	4.05	3.45
651-1803400	A	MC	1.5/15-G-3.81	15	3.81	58.54	7.25	4.53	4.41	4.12
651-1803413	A	MC	1.5/16-G-3.81	16	3.81	62.35	7.25	4.96	4.68	4.03

MOUSER STOCK NO.	Mfr. Mfr. Part No.	Fig.	Phoenix Type	Pos.	Dimensions: mm			Price Each		
					A	B	C	1	10	50
180° Socket-to-Pin Orientation										
651-1803426	B	MCV	1.5/2-G-3.81	2	3.81	9.01	9.2	.59	.57	.489
651-1803439	B	MCV	1.5/3-G-3.81	3	3.81	12.82	9.2	.97	.891	.755
651-1803442	B	MCV	1.5/4-G-3.81	4	3.81	16.63	9.2	1.28	1.18	1.03
651-1803455	B	MCV	1.5/5-G-3.81	5	3.81	20.44	9.2	1.54	1.42	1.21
651-1803468	B	MCV	1.5/6-G-3.81	6	3.81	24.25	9.2	1.87	1.73	1.47
651-1803471	B	MCV	1.5/7-G-3.81	7	3.81	28.06	9.2	2.19	2.04	1.78
651-1803484	B	MCV	1.5/8-G-3.81	8	3.81	31.87	9.2	2.47	2.28	1.94
651-1803497	B	MCV	1.5/9-G-3.81	9	3.81	35.68	9.2	2.81	2.62	2.23
651-1803507	B	MCV	1.5/10-G-3.81	10	3.81	39.49	9.2	3.12	2.94	2.53
651-1803510	B	MCV	1.5/11-G-3.81	11	3.81	43.30	9.2	3.39	3.19	2.71
651-1803523	B	MCV	1.5/12-G-3.81	12	3.81	47.11	9.2	3.78	3.50	2.97
651-1803536	B	MCV	1.5/13-G-3.81	13	3.81	50.92	9.2	3.95	3.76	3.21
651-1803549	B	MCV	1.5/14-G-3.81	14	3.81	54.73	9.2	4.25	4.05	3.45
651-1803552	B	MCV	1.5/15-G-3.81	15	3.81	58.54	9.2	4.61	4.32	3.69
651-1803565	B	MCV	1.5/16-G-3.81	16	3.81	62.35	9.2	4.96	4.60	3.92

MOUSER STOCK NO.	Mfr. Mfr. Part No.	Fig.	Phoenix Type	Pos.	Dimensions: mm			Price Each		
					A	B	C	1	10	50
45° Socket-to-Pin Orientation										
651-1827279	C	SMC	1.5/2-G-3.81	2	3.81	9.01	11	.80	.731	.628
651-1827282	C	SMC	1.5/3-G-3.81	3	3.81	12.82	11	1.14	1.06	.906
651-1827295	C	SMC	1.5/4-G-3.81	4	3.81	16.63	11	1.54	1.42	1.21
651-1827305	C	SMC	1.5/5-G-3.81	5	3.81	20.44	11	1.95	1.80	1.53
651-1827318	C	SMC	1.5/6-G-3.81	6	3.81	24.25	11	2.40	2.23	1.89
651-1827321	C	SMC	1.5/7-G-3.81	7	3.81	28.06	11	2.71	2.50	2.13
651-1827334	C	SMC	1.5/8-G-3.81	8	3.81	31.87	11	3.16	2.92	2.49
651-1827350	C	SMC	1.5/10-G-3.81	10	3.81	39.49	11	3.85	3.56	3.03
651-1827376	C	SMC	1.5/12-G-3.81	12	3.81	47.11	11	4.63	4.27	3.64

Double Level, Through-Hole Solder Mounting

MOUSER STOCK NO.	Mfr. Mfr. Part No.	Fig.	Phoenix Type	Pos.	Dimensions: mm			Price Each		
					A	B	C	1	10	50
90° Socket-to-Pin Orientation										
651-1843075	D	MCD	1.5/2-G1-3.81	2	12.70	9.01	22.7	2.14	1.99	1.69
651-1843088	D	MCD	1.5/3-G1-3.81	3	12.70	12.82	22.7	3.10	2.87	2.45
651-1843091	D	MCD	1.5/4-G1-3.81	4	12.70	16.63	22.7	4.15	3.83	3.27
651-1843101	D	MCD	1.5/5-G1-3.81	5	12.70	20.44	22.7	5.18	4.78	4.08
651-1843114	D	MCD	1.5/6-G1-3.81	6	12.70	24.25	22.7	6.41	5.92	5.05
651-1843127	D	MCD	1.5/7-G1-3.81	7	12.70	28.06	22.7	7.27	6.70	5.72
651-1843130	D	MCD	1.5/8-G1-3.81	8	12.70	31.87	22.7	8.14	7.67	6.55
651-1843143	D	MCD	1.5/9-G1-3.81	9	12.70	35.68	22.7	9.37	8.65	7.37
651-1843156	D	MCD	1.5/10-G1-3.81	10	12.70	39.49	22.7	10.37	9.57	8.15
651-1843172	D	MCD	1.5/12-G1-3.81	12	12.70	47.11	22.7	12.45	11.49	9.80

3.81MM PLUGS

• RoHS Compliant per Phoenix documentation • UL: 300V @ 8A, 30-14AWG • Color: Green

Screw Clamp Wire Termination

MOUSER STOCK NO.	Mfr. Mfr. Part No.	Fig.	Phoenix Type	Pos.	Curr. Rating	Volt. Rating	Dimensions: mm			Price Each		
							A	B	C	1	10	50
180° Wire-to-Plug Orientation												
651-1803578	E	MC	1.5/2-ST-3.81	2	3.81	8.41	15.5	1.78	1.64	1.40		
651-1803581	E	MC	1.5/3-ST-3.81	3	3.81	12.22	15.5	2.58	2.46	2.10		
651-1803594	E	MC	1.5/4-ST-3.81	4	3.81	16.03	15.5	3.63	3.35	2.86		
651-1803604	E	MC	1.5/5-ST-3.81	5	3.81	19.84	15.5	4.43	4.11	3.50		
651-1803617	E	MC	1.5/6-ST-3.81	6	3.81	23.65	15.5	5.27	4.89	4.17		
651-1803620	E	MC	1.5/7-ST-3.81	7	3.81	27.46	15.5	6.22	5.77	4.92		
651-1803633	E	MC	1.5/8-ST-3.81	8	3.81	31.27	15.5	7.00	6.55	5.71		
651-1803646	E	MC	1.5/9-ST-3.81	9	3.81	35.08	15.5	7.97	7.40	6.31		
651-1803659	E	MC	1.5/10-ST-3.81	10	3.81	38.89	15.5	8.81	8.23	7.17		
651-1803672	E	MC	1.5/11-ST-3.81	11	3.81	42.07	15.5	9.65	9.03	7.70		
651-1803675	E	MC	1.5/12-ST-3.81	12	3.81	46.51	15.5	10.62	9.90	8.64		

3.81MM PLUGS (CONT.)

Screw Clamp Wire Termination

MOUSER STOCK NO.	Mfr. Mfr. Part No.	Fig.	Phoenix Type	Pos.	Dimensions: mm			Price Each		
					A	B	C	1	10	50
90° Wire-to-Plug Orientation										
651-1827127	F	MCVR	1.5/2-ST-3.81	2	3.81	8.41	19.1	1.92	1.78	1.51
651-1827130	F	MCVR	1.5/3-ST-3.81	3	3.81	12.22	19.1	2.87	2.66	2.27
651-1827143	F	MCVR	1.5/4-ST-3.81	4	3.81	16.03	19.1	3.80	3.58	3.08
651-1827156	F	MCVR	1.5/5-ST-3.81	5	3.81	19.84	19.1	4.78	4.44	3.78
651-1827169	F	MCVR	1.5/6-ST-3.81	6	3.81	23.65	19.1	5.72	5.31	4.52
651-1827172	F	MCVR	1.5/7-ST-3.81	7	3.81	27.46	19.1	6.67	6.19	5.28
651-1827185	F	MCVR	1.5/8-ST-3.81	8	3.81	31.27	19.1	7.63	7.08	6.03
651-1827198	F	MCVR	1.5/9-ST-3.81	9	3.81	35.08	19.1	8.51	7.98	6.80
651-1827208	F	MCVR	1.5/10-ST-3.81	10	3.81	38.89	19.1	9.43	8.84	7.53
651-1827224	F	MCVR	1.5/12-ST-3.81	12	3.81	46.51	19.1	11.45	10.84	9.32
651-1827237	F	MCVR	1.5/13-ST-3.81	13	3.81	50.32	19.1	12.45	11.49	9.80
651-1827240	F	MCVR	1.5/14-ST-3.81	14	3.81	54.13	19.1	13.35	12.39	10.57
651-1827266	F	MCVR	1.5/16-ST-3.81	16	3.81	61.75	19.1	15.07	14.16	12.08
270° Wire-to-Plug Orientation										
651-1826979	G	MCVW	1.5/2-ST-3.81	2	3.81	8.41	19.1	1.88	1.82	1.56
651-1826982	G	MCVW	1.5/3-ST-3.81	3	3.81	12.22	19.1	2.87	2.66	2.27
651-1826995	G	MCVW	1.5/4-ST-3.81	4	3.81	16.03	19.1	3.77	3.51	2.99
651-1827004	G	MCVW	1.5/5-ST-3.81	5	3.81	19.84	19.1	4.81	4.44	3.78
651-1827017	G	MCVW	1.5/6-ST-3.81	6	3.81	23.65	19.1	5.75	5.31	4.52
651-1827020	G	MCVW	1.5/7-ST-3.81	7	3.81	27.46	19.1	6.68	6.19	5.28
651-1827033	G	MCVW	1.5/8-ST-3.81	8	3.81	31.27	19.1	7.66	7.08	6.03
651-1827046	G	MCVW	1.5/9-ST-3.81	9	3.81	35.08	19.1	8.51	7.97	6.79
651-1827059	G	MCVW	1.5/10-ST-3.81	10	3.81	38.89	19.1	9.43	8.84	7.53
651-1827062	G	MCVW	1.5/11-ST-3.81	11	3.81	42.07	19.1	10.76	9.73	8.28
651-1827075	G	MCVW	1.5/12-ST-3.81							