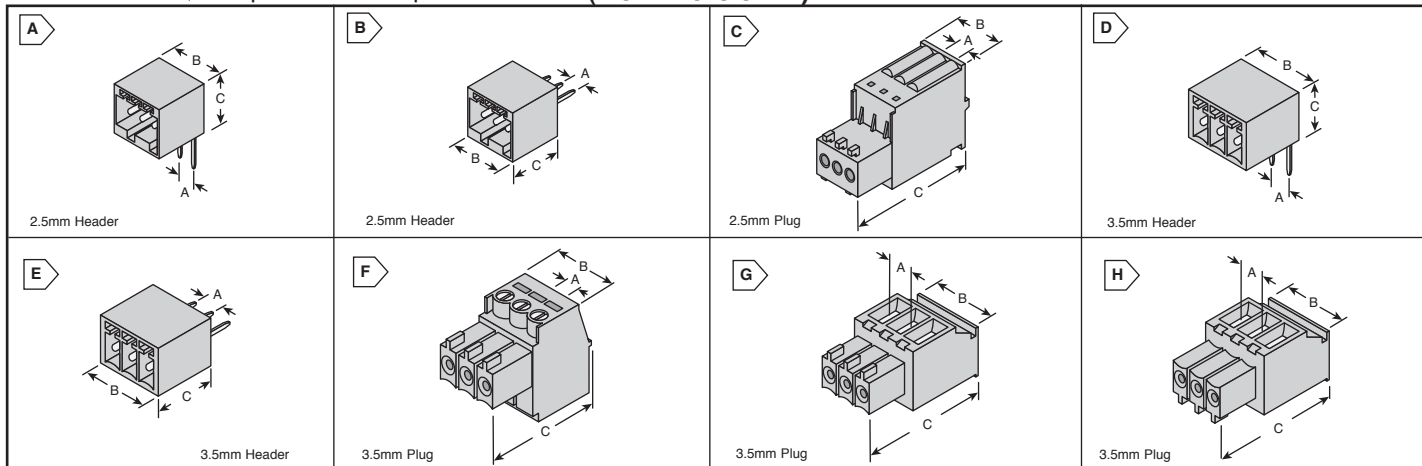


PHOENIX CONTACT Pluggable Terminal Blocks



RoHS Compliant This product is RoHS compliant.

(2.5mm & 3.5mm)



2.5MM HEADERS

• RoHS Compliant per Phoenix documentation

Single Level, Through-Hole Solder Mounting

For quantities greater than listed, call for quote.

MOUSER STOCK NO.		Fig.	Phoenix Type	No. of Pos.	Dimensions: mm			Price Each		
Mfr	Mfr. Part No.				A	B	C	1	10	50
2.5mm PCB Terminal Block Headers - 90° Socket-to Pin Orientation										
UL: 125V @ 4A, Green Color										
651-1881448	A	MC 0.5/2-G-2.5	2	2.5	6.9	8.1	.72	.66	.566	
651-1881451	A	MC 0.5/3-G-2.5	3	2.5	9.4	8.1	1.04	.951	.813	
651-1881464	A	MC 0.5/4-G-2.5	4	2.5	11.9	8.1	1.36	1.25	1.08	
651-1881477	A	MC 0.5/5-G-2.5	5	2.5	14.4	8.1	1.67	1.54	1.31	
651-1881480	A	MC 0.5/6-G-2.5	6	2.5	16.9	8.1	2.08	1.87	1.61	
651-1881493	A	MC 0.5/7-G-2.5	7	2.5	19.4	8.1	2.27	2.10	1.79	
651-1881503	A	MC 0.5/8-G-2.5	8	2.5	21.9	8.1	2.39	2.15	2.02	
651-1881516	A	MC 0.5/9-G-2.5	9	2.5	24.4	8.1	2.92	2.70	2.30	
651-1881529	A	MC 0.5/10-G-2.5	10	2.5	26.9	8.1	3.24	2.98	2.54	
651-1881545	A	MC 0.5/12-G-2.5	12	2.5	31.9	8.1	3.89	3.63	3.18	
2.5mm PCB Terminal Block Headers - 90° Socket-to Pin Orientation										
UL: 125V @ 4A, Green Color										
651-1881561	B	MCV 0.5/3-G-2.5	3	2.5	9.4	10.1	1.04	.951	.813	
651-1881574	B	MCV 0.5/4-G-2.5	4	2.5	11.9	10.1	1.32	1.29	1.13	
651-1881587	B	MCV 0.5/5-G-2.5	5	2.5	14.4	10.1	1.67	1.54	1.31	
651-1881590	B	MCV 0.5/6-G-2.5	6	2.5	16.9	10.1	1.98	1.84	1.56	
651-1881600	B	MCV 0.5/7-G-2.5	7	2.5	19.4	10.1	2.28	2.10	1.80	
651-1881613	B	MCV 0.5/8-G-2.5	8	2.5	21.9	10.1	2.39	2.15	2.02	
651-1881626	B	MCV 0.5/9-G-2.5	9	2.5	24.4	10.1	2.93	2.70	2.31	
651-1881639	B	MCV 0.5/10-G-2.5	10	2.5	26.9	10.1	3.09	2.84	2.43	
651-1881655	B	MCV 0.5/12-G-2.5	12	2.5	31.9	10.1	3.87	3.58	3.04	

2.5MM PLUGS

• RoHS Compliant per Phoenix documentation

Spring Force Wire Termination

For quantities greater than listed, call for quote.

MOUSER STOCK NO.		Fig.	Phoenix Type	No. of Pos.	Dimensions: mm			Price Each		
Mfr	Mfr. Part No.				A	B	C	1	10	50
2.5mm PCB Terminal Block Plugs - 180° Wire-to-Plug Orientation										
UL: 125V @ 4A, 28-20AWG, Green Color										
651-1881325	C	FK-MC 0.5/2-ST-2.5	2	2.5	5.6	19.2	2.28	2.10	1.80	
651-1881338	C	FK-MC 0.5/3-ST-2.5	3	2.5	8.1	19.2	3.44	3.18	2.70	
651-1881341	C	FK-MC 0.5/4-ST-2.5	4	2.5	10.6	19.2	4.57	4.21	3.60	
651-1881354	C	FK-MC 0.5/5-ST-2.5	5	2.5	13.1	19.2	5.72	5.27	4.50	
651-1881367	C	FK-MC 0.5/6-ST-2.5	6	2.5	15.6	19.2	6.85	6.32	5.39	
651-1881370	C	FK-MC 0.5/7-ST-2.5	7	2.5	18.1	19.2	7.99	7.37	6.29	
651-1881383	C	FK-MC 0.5/8-ST-2.5	8	2.5	20.6	19.2	9.11	8.59	7.52	
651-1881396	C	FK-MC 0.5/9-ST-2.5	9	2.5	23.1	19.2	10.08	9.48	8.09	
651-1881406	C	FK-MC 0.5/10-ST-2.5	10	2.5	25.6	19.2	11.24	10.54	8.99	
651-1881422	C	FK-MC 0.5/12-ST-2.5	12	2.5	30.6	19.2	13.70	12.64	10.79	

3.5MM HEADERS

• RoHS Compliant per Phoenix documentation

Single Level, Through-Hole Solder Mounting

For quantities greater than listed, call for quote.

MOUSER STOCK NO.		Fig.	Phoenix Type	No. of Pos.	Dimensions: mm			Price Each		
Mfr	Mfr. Part No.				A	B	C	1	10	50
3.5mm PCB Terminal Block Headers - 90° Socket-to Pin Orientation										
UL: 300V @ 8A, Green Color										
651-1844210	D	MC 1.5/2-G-3.5	2	3.5	8.4	7.25	.70	.641	.548	
651-1844223	D	MC 1.5/3-G-3.5	3	3.5	11.9	7.25	1.04	.951	.818	
651-1844236	D	MC 1.5/4-G-3.5	4	3.5	15.4	7.25	1.39	1.32	1.11	
651-1844249	D	MC 1.5/5-G-3.5	5	3.5	18.9	7.25	1.74	1.61	1.37	
651-1844252	D	MC 1.5/6-G-3.5	6	3.5	22.4	7.25	2.15	2.00	1.70	
651-1844265	D	MC 1.5/7-G-3.5	7	3.5	25.9	7.25	2.41	2.23	1.90	

3.5MM HEADERS (CONT.)

• RoHS Compliant per Phoenix documentation

Single Level, Through-Hole Solder Mounting

For quantities greater than listed, call for quote.

MOUSER STOCK NO.		Fig.	Phoenix Type	No. of Pos.	Dimensions: mm			Price Each		
Mfr	Mfr. Part No.				A	B	C	1	10	50
3.5mm PCB Terminal Block Headers (Cont.) - 90° Socket-to Pin Orientation										
UL: 300V @ 8A, Green Color										
651-1844278	D	MC 1.5/8-G-3.5	8	3.5	29.4	7.25	2.75	2.54	2.17	
651-1844281	D	MC 1.5/9-G-3.5	9	3.5	32.9	7.25	3.12	2.94	2.53	
651-1844294	D	MC 1.5/10-G-3.5	10	3.5	36.4	7.25	3.48	3.22	2.74	
651-1844317	D	MC 1.5/12-G-3.5	12	3.5	43.4	7.25	4.31	3.97	3.39	
3.5mm PCB Terminal Block Headers - 180° Socket-to Pin Orientation										
UL: 300V @ 8A, Green Color										
651-1843606	E	MCV 1.5/2-G-3.5	2	3.5	8.4	9.2	.72	.661	.565	
651-1843619	E	MCV 1.5/3-G-3.5	3	3.5	11.9	9.2	1.05	.961	.818	
651-1843622	E	MCV 1.5/4-G-3.5	4	3.5	15.4	9.2	1.38	1.27	1.08	
651-1843635	E	MCV 1.5/5-G-3.5	5	3.5	18.9	9.2	1.75	1.62	1.38	
651-1843648	E	MCV 1.5/6-G-3.5	6	3.5	22.4	9.2	2.10	1.93	1.66	
651-1843651	E	MCV 1.5/7-G-3.5	7	3.5	25.9	9.2	2.42	2.24	1.91	
651-1843664	E	MCV 1.5/8-G-3.5	8	3.5	29.4	9.2	2.84	2.58	2.25	
651-1843677	E	MCV 1.5/9-G-3.5	9	3.5	32.9	9.2	3.14	2.90	2.47	
651-1843680	E	MCV 1.5/10-G-3.5	10	3.5	36.4	9.2	3.47	3.21	2.73	
651-1843703	E	MCV 1.5/12-G-3.5	12	3.5	43.4	9.2	4.30	3.97	3.39	

3.5MM PLUGS

• RoHS Compliant per Phoenix documentation

Screw Clamp Wire Termination

For quantities greater than listed, call for quote.

MOUSER STOCK NO.		Fig.	Phoenix Type	No. of Pos.	Dimensions: mm			Price Each		
Mfr	Mfr. Part No.				A	B	C	1	10	50
3.5mm PCB Terminal Block Plugs - 180° Wire-to-Plug Orientation										
UL: 300V @ 8A, 30-14AWG, Green Color										
651-1840366	F	MC 1.5/2-ST-3.5	2	3.5	7	15.5	1.97	1.82	1.55	
651-1840379	F	MC 1.5/3-ST-3.5	3	3.5	10.5	15.5	2.94	2.72	2.32	
651-1840382	F	MC 1.5/4-ST-3.5	4	3.5	14	15.5	3.89	3.60	3.06	
651-1840395	F	MC 1.5/5-ST-3.5	5	3.5	17.5	15.5	4.94	4.56	3.89	
651-1840405	F	MC 1.5/6-ST-3.5	6	3.5	21	15.5	5.93	5.47	4.67	
651-1840418	F	MC 1.5/7-ST-3.5	7	3.5	24.5	15.5	7.09	6.39	5.62	
651-1840421	F	MC 1.5/8-ST-3.5	8	3.5	28	15.5	7.87	7.27	6.19	
651-1840434	F	MC 1.5/9-ST-3.5	9	3.5	31.5	15.5	8.89	8.21	7.00	
651-1840447	F	MC 1.5/10-ST-3.5	10	3.5	35	15.5	9.90	9.14	7.79	
651-1840450	F	MC 1.5/11-ST-3.5	11	3.5	38.5	15.5	10.86	10.03	8.54	
651-1840463	F	MC 1.5/12-ST-3.5	12	3.5	42	15.5	11.81	10.91	9.30	
3.5mm PCB Terminal Block Plugs - 90° Wire-to-Plug Orientation										
UL: 300V @ 8A, 30-14AWG, Green Color										
651-1863152	G	MCVR 1.5/2-ST-3.5	2	3.5	7.8	19.1	1.95	1.79	1.53	
651-1863165	G	MCVR 1.5/3-ST-3.5	3	3.5	11.3	19.1	2.90	2.68	2.28	
651-1863178	G	MCVR 1.5/4-ST-3.5	4	3.5	14.8	19.1	3.85	3.56	3.03	
651-1863181	G	MCVR 1.5/5-ST-3.5	5	3.5	18.3	19.1	4.85	4.48	3.82	
651-1863194	G	MCVR 1.5/6-ST-3.5	6	3.5	21.8	19.1	5.80	5.36	4.57	
651-1863217	G	MCVR 1.5/8-ST-3.5	8	3.5	28.8	19.1	7.73	7.14	6.08	
651-1863233	G	MCVR 1.5/10-ST-3.5	10	3.5	35.8	19.1	9.66	8.92	7.61	
3.5mm PCB Terminal Block Plugs - 270° Wire-to-Plug Orientation										
UL: 300V @ 8A, 30-14AWG, Green Color										
651-1862852	H	MCVV 1.5/2-ST-3.5	2	3.5	7.8	19.1	1.95	1.80	1.53	
651-1862865	H	MCVV 1.5/3-ST-3.5	3	3.5	11.3	19.1	2.90	2.68	2.28	
651-1862878	H	MCVV 1.5/4-ST-3.5	4	3.5	14.8	19.1	3.86	3.57	3.04	
651-1862881	H	MCVV 1.5/5-ST-3.5	5	3.5	18.3	19.1	4.84	4.47	3.82	
651-1862894	H	MCVV 1.5/6-ST-3.5	6	3.5	21.8	19.1	5.80	5.36	4.57	
651-1862917	H	MCVV 1.5/8-ST-3.5	8	3.5	28.8	19.1	7.73	7.13	6.08	
651-1862920	H	MCVV 1.5/9-ST-3.5	9	3.5	32.3	19.1	8.82	8.20	7.05	
651-1862933	H	MCVV 1.5/10-ST-3.5	10	3.5	35.8	19.1	9.65	8.91	7.60	