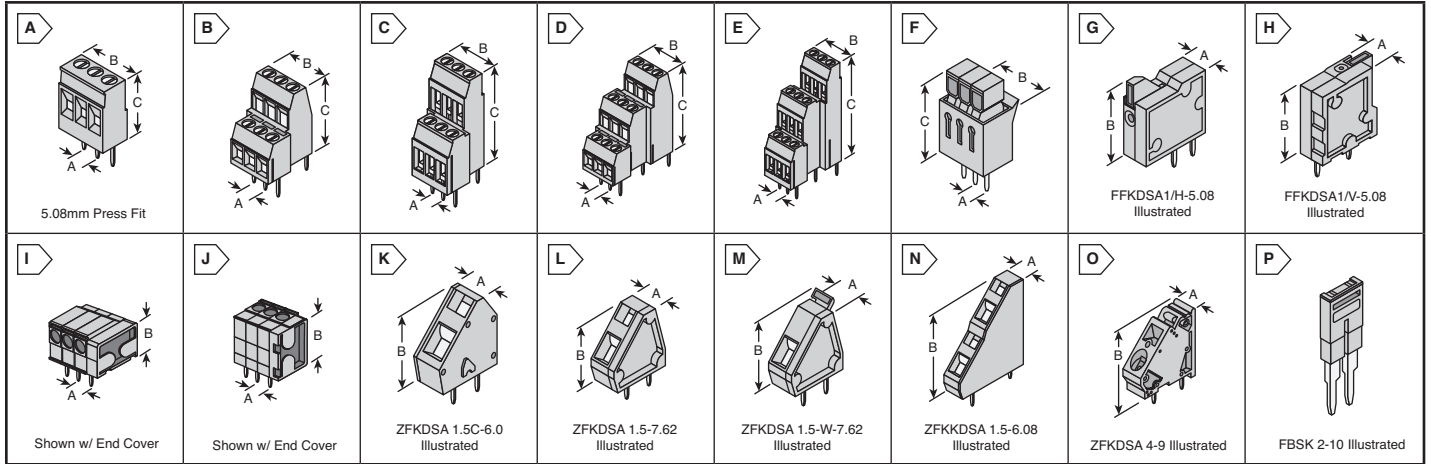


PHOENIX CONTACT Terminal Blocks



RoHS Compliant This product is RoHS compliant.



ONE PIECE DESIGN WITH SCREW CLAMP TERMINATION

• RoHS Compliant per Phoenix documentation

Single Level, Press-Fit Mounting

For quantities greater than listed, call for quote.

MOUSER STOCK NO.		Fig.	Phoenix Type	Pos.	Dimensions: mm			Price Each		
Mfr.	Mfr. Part No.				A	B	C	1	10	50
5.08mm Press-Fit PCB Terminal Blocks - 90° Wire-to-Pin Orientation										
UL: 300V @ 10A, 30-12AWG, Green Color										
651-1730612	A	EMKDS 2.5/2-5.08	2	5.08	11.34	18.00	1.82	1.68	1.42	
651-1730638	A	EMKDS 2.5/4-5.08	4	5.08	21.50	18.00	3.50	3.34	2.85	
651-1730641	A	EMKDS 2.5/5-5.08	5	5.08	26.58	18.00	4.39	4.19	3.57	
651-1730654	A	EMKDS 2.5/6-5.08	6	5.08	31.66	18.00	5.27	5.01	4.27	

Multi-Level, Through-Hole Solder Mounting

For quantities greater than listed, call for quote.

3.81mm Double Level PCB Terminal Blocks - 90° Wire-to-Pin Orientation										
UL: 300V @ 10A, 30-16AWG, Green Color										
Mfr.	Mfr. Part No.	Fig.	Phoenix Type	Pos.	A	B	C	1	10	50
651-1708026	B	MKKDS 1/2-3.81	2	3.81	7.62	16.2	2.91	2.73	2.33	
651-1708039	B	MKKDS 1/3-3.81	3	3.81	11.43	16.2	4.38	4.08	3.48	
651-1708042	B	MKKDS 1/4-3.81	4	3.81	15.24	16.2	5.85	5.46	4.66	
651-1708055	B	MKKDS 1/5-3.81	5	3.81	19.05	16.2	7.27	6.80	5.80	
651-1708068	B	MKKDS 1/6-3.81	6	3.81	22.86	16.2	8.69	8.29	7.05	
651-1708084	B	MKKDS 1/8-3.81	8	3.81	30.48	16.2	11.67	10.92	9.44	
651-1708107	B	MKKDS 1/9-3.81	9	3.81	34.29	16.2	13.06	12.27	10.45	
651-1708110	B	MKKDS 1/10-3.81	10	3.81	38.1	16.2	14.57	13.63	11.62	
651-1708136	B	MKKDS 1/12-3.81	12	3.81	45.72	16.2	18.24	16.36	13.95	

5mm Double Level PCB Terminal Blocks - 90° Wire-to-Pin Orientation										
UL: 300V @ 10A, 30-14AWG, Green Color										
Mfr.	Mfr. Part No.	Fig.	Phoenix Type	Pos.	A	B	C	1	10	50
651-1725012	B	MKKDS 1.5/2	2	5	10	25.2	2.29	2.12	1.80	
651-1725025	B	MKKDS 1.5/3	3	5	15	25.2	3.33	3.14	2.68	

UL: 150V @ 15A and 300V @ 10A, 30-12AWG, Green Color										
Mfr.	Mfr. Part No.	Fig.	Phoenix Type	Pos.	A	B	C	1	10	50
651-1721029	C	MKKDS 3/2	2	5	10	31.4	3.74	3.45	2.95	
651-1721032	C	MKKDS 3/3	3	5	15	31.4	5.53	5.18	4.42	

5.08mm Double Level PCB Terminal Blocks - 90° Wire-to-Pin Orientation										
UL: 300V @ 10A, 30-14AWG, Green Color										
Mfr.	Mfr. Part No.	Fig.	Phoenix Type	Pos.	A	B	C	1	10	50
651-1725038	B	MKKDS 1.5/2-5.08	2	5.08	10.16	25.2	2.24	2.11	1.79	
651-1725041	B	MKKDS 1.5/3-5.08	3	5.08	15.24	25.2	3.36	3.18	2.71	

UL: 150V @ 15A and 300V @ 10A, 30-12AWG, Green Color										
Mfr.	Mfr. Part No.	Fig.	Phoenix Type	Pos.	A	B	C	1	10	50
651-1721728	C	MKKDS 3/2-5.08	2	5.08	10.16	31.4	3.63	3.46	2.96	
651-1721731	C	MKKDS 3/3-5.08	3	5.08	15.24	31.4	5.52	5.17	4.41	

5.08mm Triple Level PCB Terminal Blocks - 90° Wire-to-Pin Orientation										
UL: 300V @ 10A, 30-14AWG, Green Color										
Mfr.	Mfr. Part No.	Fig.	Phoenix Type	Pos.	A	B	C	1	10	50
651-1724013	D	MK3DS 1.5/2-5.08	2	5.08	10.16	36.6	5.94	5.65	4.82	
651-1724026	D	MK3DS 1.5/3-5.08	3	5.08	15.24	36.6	8.74	8.49	7.24	

UL: 150V @ 15A and 300V @ 10A, 30-12AWG, Green Color										
Mfr.	Mfr. Part No.	Fig.	Phoenix Type	Pos.	A	B	C	1	10	50
651-1723014	E	MK3DS 3/2-5.08	2	5.08	10.16	44.8	5.16	4.99	4.23	
651-1723027	E	MK3DS 3/3-5.08	3	5.08	15.24	44.8	7.74	7.37	6.28	

ONE PIECE DESIGN WITH IDC TERMINATION

• RoHS Compliant per Phoenix documentation

Single Level, Through-Hole Solder Mounting

For quantities greater than listed, call for quote.

3.81mm Insulation Displacement PCB Terminal Blocks - 90° Wire-to-Pin Orientation										
UL: 300V @ 5A, 28-22AWG, Green Color										
Mfr.	Mfr. Part No.	Fig.	Phoenix Type	Pos.	A	B	C	1	10	50
651-1706170	F	IDC 0.3/2-3.81	2	3.81	8.81	14.8	.95	.87	.737	
651-1706183	F	IDC 0.3/3-3.81	3	3.81	12.62	14.8	1.43	1.37	1.16	
651-1706196	F	IDC 0.3/4-3.81	4	3.81	16.43	14.8	1.88	1.73	1.48	
651-1706206	F	IDC 0.3/5-3.81	5	3.81	20.24	14.8	2.34	2.16	1.85	
651-1706219	F	IDC 0.3/6-3.81	6	3.81	24.05	14.8	2.72	2.60	2.21	
651-1706222	F	IDC 0.3/7-3.81	7	3.81	27.86	14.8	3.42	3.17	2.70	
651-1706235	F	IDC 0.3/8-3.81	8	3.81	31.67	14.8	3.73	3.44	2.94	
651-1706248	F	IDC 0.3/9-3.81	9	3.81	35.48	14.8	4.21	3.89	3.31	
651-1706251	F	IDC 0.3/10-3.81	10	3.81	39.29	14.8	4.53	4.32	3.68	
651-1706277	F	IDC 0.3/12-3.81	12	3.81	46.91	14.8	5.62	5.19	4.43	

ONE PIECE DESIGN WITH SPRING FORCE TERMINATION

• RoHS Compliant per Phoenix documentation

Single Level, Through-Hole Solder Mounting

* Sold only in strips of 10 terminals. These modular strips can be broken apart or extended to any length needed. An end terminal block is required to terminate each row of terminals.

For quantities greater than listed, call for quote.										
MOUSER STOCK NO.		Fig.	Phoenix Type	Pos.	Dimensions: mm			Price Each		
Mfr.	Mfr. Part No.				A	B	C	1	10	50
Modular 2.54mm PCB Spring Force Fixed Terminal Block - 90° Wire-to-Pin Orientation										
UL: 150V @ 6A, 26-20AWG, Green Color										
* 651-1791826	G	FFKDS/H-2.54	1	2.54	12.6	-	.813	.70		
End Terminal Block for FFKDS/H-2.54										
651-1791868	G	FFKDSA1/H-5.08	1	5.08	12.6	1.29	1.22	1.03		
Modular 2.54mm PCB Spring Force Fixed Terminal Block - 180° Wire-to-Pin Orientation										
* 651-1791813	H	FFKDS/V-2.54	1	2.54	13.6	-	.812	.699		
Modular 3.81mm PCB Spring Force Terminal Block										
UL: 300V @ 6A, 26-16AWG, Green Color										
651-1789650	I	FFKDS/H-3.81	1	3.81	12.7	1.00	.921	.785		
651-1789634	-	FFKDSA1/H-6.35	Required End Cover			1.31	1.21	1.03		
651-1789647	J	FFKDS/V-3.81	1	3.81	13.6	1.00	.921	.785		
651-1789621	-	FFKDSA1/V-6.35	Required End Cover			1.30	1.20	1.02		
Modular 5mm PCB Spring Force Fixed - Single Level w/o Lever - 135° Wire-to-Pin										
UL: 300V @ 10A, 26-12AWG, Green Color										
* 651-1889259	K	ZFKDS 1.5C-5.0	1	5	12.75	-	.361	.308		
End Terminal Block for ZFKDS 1.5C-5.0										
651-1889262	K	ZFKDSA 1.5C-6.0	1	6	12.75	.53	.481	.419		
Modular 5.08mm PCB Spring Force Fixed - Single Level without Lever - 135° Wire-to-Pin										
* 651-1706701	L	ZFKDS 1.5-5.08	1	5.08	14.2	-	.331	.293		
End Terminal Block for ZFKDS 1.5-5.08										
651-1706727	L	ZFKDSA 1.5-7.62	1	7.62	14.2	.53	.481	.419		
Modular 5.08mm PCB Spring Force Fixed - Single Level with Lever - 135° Wire-to-Pin										
* 651-1706714	M	ZFKDS 1.5-W-5.08	1	5.08	16	-	.431	.406		
End Terminal Block for ZFKDS 1.5-W-5.08										
651-1706730	M	ZFKDSA 1.5-W-7.62	1	7.62	16	.59	.531	.458		
Modular 5.08mm PCB Spring Force Terminal Block										
UL: 300V @ 10A, 22-16AWG, Green Color										
651-1790335	I	FFKDS/H1-5.08	1	5.08	12.7	1.05	.961	.825		
651-1790513	-	FFKDSA1/H1-7.62	Required End Cover			1.24	1.12	1.04		
Modular 5.08mm PCB Spring Force Fixed - Double Level without Lever - 135° Wire-to-Pin										
UL: 300V @ 10A, 26-12AWG, Green Color										
* 651-1704402	N	ZFKKDS 1.5-5.08	1	5.08	25.5	-	.901	.799		
End Terminal Block for ZFKKDS 1.5-5.08										
651-1704567	N	ZFKKDSA 1.5-6.08	1	6.08	25.5	1.12	1.05	.947		
Modular 10mm PCB Spring Force Fixed Terminal Block - 135° Wire-to-Pin Orientation										
600V @ 30A, 24-10AWG, Green Color										
651-1907539	O	ZFKDS 4-10	1	10	23	1.18	1.13	.957		
End Terminal Block for ZFKDS 4-10										
651-1907542	O	ZFKDSA 4-9	1	10	23	1.33	1.27	1.08		
Jumping Bridge for ZFKDS 4-10, Fully Insulated										
651-1928398	P	FBSK 2-10	2	---	---	.97	.90	.764		
651-1928411	P	FBSK 4-10	4	---	---	2.80	2.62	2.24		