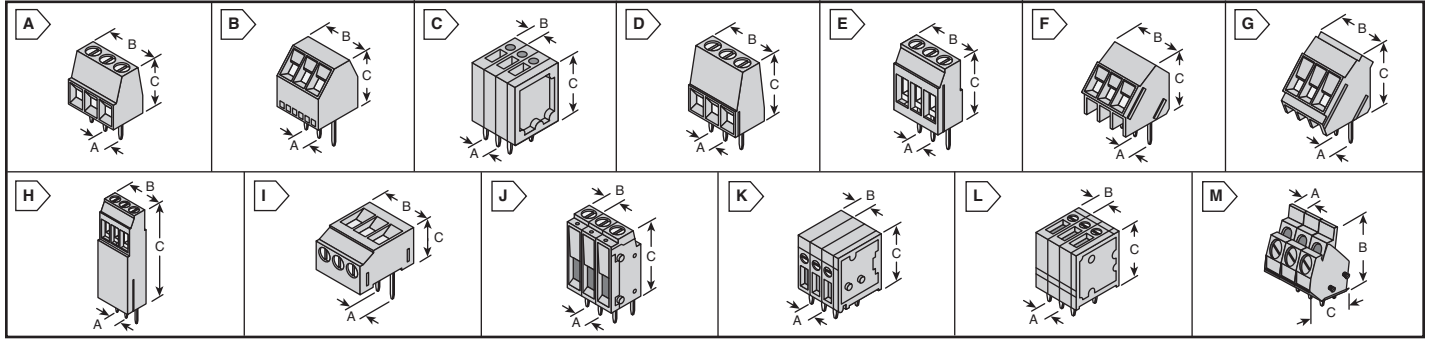


PHOENIX CONTACT Terminal Blocks



RoHS Compliant This product is RoHS compliant.



ONE PIECE DESIGN W/ SCREW CLAMP TERMINATION

Single Level, Through-Hole Solder Mounting

• RoHS Compliant per Phoenix documentation For quantities greater than listed, call for quote.

MOUSER STOCK NO.	Fig.	Phoenix Type	Pos.	Dimensions: mm			Price Each		
				A	B	C	1	10	50
2.54mm PCB Terminal Blocks - 90° Wire-to-Pin Orientation, UL: 125V @ 6A, 30-20AWG, Green Color									
651-1725656	A	MPT 0.5/2-2.54	2	2.54	5.54	8.5	1.15	1.08	.907
651-1725669	A	MPT 0.5/3-2.54	3	2.54	8.08	8.5	1.73	1.62	1.38
651-1725672	A	MPT 0.5/4-2.54	4	2.54	10.62	8.5	2.31	2.19	1.86
651-1725685	A	MPT 0.5/5-2.54	5	2.54	13.16	8.5	2.90	2.65	2.28
651-1725698	A	MPT 0.5/6-2.54	6	2.54	15.70	8.5	3.38	3.22	2.75
651-1725708	A	MPT 0.5/7-2.54	7	2.54	18.24	8.5	4.02	3.83	3.25
651-1725711	A	MPT 0.5/8-2.54	8	2.54	20.78	8.5	4.59	4.28	3.83
651-1725724	A	MPT 0.5/9-2.54	9	2.54	23.32	8.5	5.17	4.92	4.11
651-1725737	A	MPT 0.5/10-2.54	10	2.54	25.86	8.5	5.73	5.36	4.57
651-1725740	A	MPT 0.5/11-2.54	11	2.54	28.40	8.5	6.30	5.89	5.03
651-1725753	A	MPT 0.5/12-2.54	12	2.54	30.94	8.5	6.88	6.43	5.48
3.5mm PCB Terminal Blocks - 90° Wire-to-Pin Orientation, UL: 300V @ 10A, 30-16AWG, Green Color									
651-1751248	A	MKDS 1/2-3.5	2	3.5	7.5	8.5	.98	.902	.764
651-1751251	A	MKDS 1/3-3.5	3	3.5	11	8.5	1.41	1.28	1.11
651-1751264	A	MKDS 1/4-3.5	4	3.5	14.5	8.5	1.87	1.73	1.54
651-1751277	A	MKDS 1/5-3.5	5	3.5	18	8.5	2.34	2.13	1.85
651-1751280	A	MKDS 1/6-3.5	6	3.5	21.5	8.5	2.80	2.55	2.20
651-1751293	A	MKDS 1/7-3.5	7	3.5	25	8.5	3.32	3.08	2.62
651-1751303	A	MKDS 1/8-3.5	8	3.5	28.5	8.5	3.73	3.40	2.95
651-1751316	A	MKDS 1/9-3.5	9	3.5	32	8.5	4.26	3.93	3.36
651-1751329	A	MKDS 1/10-3.5	10	3.5	35.5	8.5	4.67	4.25	3.67
651-1751332	A	MKDS 1/11-3.5	11	3.5	39	8.5	5.21	4.82	4.10
651-1751345	A	MKDS 1/12-3.5	12	3.5	42.5	8.5	5.67	5.24	4.47
3.5mm PCB Terminal Blocks - 55° Wire-to-Pin Orientation, UL: 300V @ 10A, 30-16AWG, Green Color									
651-1751099	B	SMKDS 1/2-3.5	2	3.5	7.5	9.5	1.07	.981	.836
651-1751109	B	SMKDS 1/3-3.5	3	3.5	11	9.5	1.64	1.52	1.28
651-1751112	B	SMKDS 1/4-3.5	4	3.5	14.5	9.5	2.17	2.01	1.71
651-1751154	B	SMKDS 1/8-3.5	8	3.5	28.5	9.5	4.32	3.99	3.40
3.81mm PCB Terminal Blocks - 90° Wire-to-Pin Orientation, UL: 300V @ 10A, 30-16AWG, Green Color									
651-1727010	A	MKDS 1/2-3.81	2	3.81	7.61	8.5	.94	.861	.728
651-1727023	A	MKDS 1/3-3.81	3	3.81	11.42	8.5	1.40	1.29	1.10
651-1727036	A	MKDS 1/4-3.81	4	3.81	15.23	8.5	1.85	1.77	1.47
651-1727049	A	MKDS 1/5-3.81	5	3.81	19.04	8.5	2.31	2.16	1.84
651-1727052	A	MKDS 1/6-3.81	6	3.81	22.85	8.5	2.77	2.59	2.20
651-1727065	A	MKDS 1/7-3.81	7	3.81	26.66	8.5	3.20	3.01	2.57
651-1727078	A	MKDS 1/8-3.81	8	3.81	30.47	8.5	3.69	3.45	2.94
651-1727081	A	MKDS 1/9-3.81	9	3.81	34.28	8.5	4.09	3.87	3.30
651-1727094	A	MKDS 1/10-3.81	10	3.81	38.09	8.5	4.60	4.36	3.71
651-1727117	A	MKDS 1/12-3.81	12	3.81	45.71	8.5	5.51	5.15	4.39
3.81mm PCB Terminal Blocks - 55° Wire-to-Pin Orientation, UL: 300V @ 10A, 30-16AWG, Green Color									
651-1728284	B	SMKDS 1/2-3.81	2	3.81	7.61	9.5	1.07	.981	.836
651-1728297	B	SMKDS 1/3-3.81	3	3.81	11.42	9.5	1.62	1.50	1.26
651-1728307	B	SMKDS 1/4-3.81	4	3.81	15.23	9.5	2.17	2.01	1.71
651-1728323	B	SMKDS 1/6-3.81	6	3.81	22.85	9.5	3.23	2.98	2.54
651-1728349	B	SMKDS 1/8-3.81	8	3.81	30.47	9.5	4.30	3.98	3.39
651-1728352	B	SMKDS 1/9-3.81	9	3.81	34.28	9.5	4.85	4.48	3.81
651-1728365	B	SMKDS 1/10-3.81	10	3.81	38.09	9.5	5.39	4.98	4.24
651-1728378	B	SMKDS 1/11-3.81	11	3.81	41.90	9.5	5.93	5.48	4.67
651-1728381	B	SMKDS 1/12-3.81	12	3.81	45.71	9.5	6.47	5.98	5.10
3.81mm PCB Single Terminal Blocks - Vertical Wire to Pin Orientation, Front Connection, UL: 300V @ 10A, 28-14AWG, Green Color									
651-1707742	C	FRONT 1.5-V-3.81	1	3.81	3.81	15.3	1.84	1.71	1.44
651-1707755	C	D-FRONT 1.5-V					.37	.331	.289
5mm PCB Reduced Height Terminal Blocks - 90° Wire-to-Pin Orientation, UL: 300V @ 10A, 30-14AWG, Green Color									
651-1729018	D	MKDSN 1.5/2	2	5	10	10	.81	.741	.637
651-1729021	D	MKDSN 1.5/3	3	5	15	10	1.21	1.12	.944
651-1729034	D	MKDSN 1.5/4	4	5	20	10	1.60	1.49	1.26
651-1729047	D	MKDSN 1.5/5	5	5	25	10	2.01	1.86	1.58
651-1729050	D	MKDSN 1.5/6	6	5	30	10	2.35	2.20	1.87
651-1729063	D	MKDSN 1.5/7	7	5	35	10	2.74	2.55	2.18
651-1729076	D	MKDSN 1.5/8	8	5	40	10	3.13	2.92	2.49
651-1729089	D	MKDSN 1.5/9	9	5	45	10	3.44	3.28	2.80

Single Level, Through-Hole Solder Mounting (Cont.)

• RoHS Compliant per Phoenix documentation For quantities greater than listed, call for quote.

MOUSER STOCK NO.	Fig.	Phoenix Type	Pos.	Dimensions: mm			Price Each		
				A	B	C	1	10	50
5mm PCB Reduced Height Terminal Blocks - 90° Wire-to-Pin Orientation, UL: 300V @ 10A, 30-14AWG, Green Color (Cont.)									
651-1729092	D	MKDSN 1.5/10	10	5	50	10	3.90	3.65	3.11
651-1729115	D	MKDSN 1.5/12	12	5	60	10	4.68	4.38	3.74
5mm PCB Reduced Height Terminal Blocks - 55° Wire-to-Pin Orientation, UL: 300V @ 10A, 30-14AWG, Green Color									
651-1869062	B	SMKDSN 1.5/2	2	5	11	11	.95	.871	.718
651-1869075	B	SMKDSN 1.5/3	3	5	16	11	1.42	1.32	1.11
651-1869088	B	SMKDSN 1.5/4	4	5	21	11	1.88	1.73	1.47
651-1869091	B	SMKDSN 1.5/5	5	5	26	11	2.32	2.15	1.83
651-1869101	B	SMKDSN 1.5/6	6	5	31	11	2.83	2.62	2.22
651-1869114	B	SMKDSN 1.5/7	7	5	36	11	3.28	3.03	2.58
651-1869127	B	SMKDSN 1.5/8	8	5	41	11	3.77	3.48	2.97
651-1869143	B	SMKDSN 1.5/10	10	5	46	11	4.71	4.35	3.70
5mm PCB Terminal Blocks - 90° Wire-to-Pin Orientation, UL: 300V @ 10A, 30-14AWG, Green Color									
651-1715022	D	MKDS 1.5/2	2	5	10	13.8	.95	.85	.748
651-1715035	D	MKDS 1.5/3	3	5	15	13.8	1.45	1.34	1.13
651-1715048	D	MKDS 1.5/4	4	5	20	13.8	1.83	1.71	1.49
651-1715080	D	MKDS 1.5/8	8	5	40	13.8	3.71	3.50	2.98
651-1715129	D	MKDS 1.5/12	12	5	60	13.8	5.49	5.22	4.45
5mm PCB Reduced Height Terminal Blocks - 90° Wire-to-Pin Orientation, UL: 300V @ 10A, 30-12AWG, Green Color									
651-1890963	D	MKDSN 2.5/2	2	5	10	15	.86	.781	.666
651-1890976	D	MKDSN 2.5/3	3	5	15	15	1.29	1.15	1.01
651-1890989	D	MKDSN 2.5/4	4	5	20	15	1.71	1.58	1.34
5mm PCB Terminal Blocks - 90° Wire-to-Pin Orientation, UL: 300V @ 10A, 30-12AWG, Green Color									
651-1711026	E	MKDS 3/2	2	5	10	18	1.48	1.40	1.18
651-1711039	E	MKDS 3/3	3	5	15	18	2.23	2.11	1.79
651-1711042	E	MKDS 3/4	4	5	20	18	3.00	2.77	2.37
651-1711084	E	MKDS 3/8	8	5	40	18	5.92	5.53	4.71
651-1711123	E	MKDS 3/12	12	5	60	18	8.70	8.29	7.07
5mm PCB Terminal Blocks - 35° Wire-to-Pin Orientation with Test Connection, UL: 300V @ 10A, 30-14AWG, Green Color									
651-1733415	F	SMKDSN 1.5/2	2	5	10	15.3	1.02	.931	.797
651-1733428	F	SMKDSN 1.5/3	3	5	15	15.3	1.34	1.20	1.11
651-1733431	F	SMKDSN 1.5/4	4	5	20	15.3	2.01	1.86	1.58
651-1733444	F	SMKDSN 1.5/5	5	5	25	15.3	2.50	2.31	1.96
651-1733457	F	SMKDSN 1.5/6	6	5	30	15.3	3.03	2.79	2.38
651-1733473	F	SMKDSN 1.5/8	8	5	40	15.3	4.04	3.73	3.19
5mm PCB Terminal Blocks - 35° Wire-to-Pin Orientation, UL: 300V @ 10A, 30-14AWG, Green Color									
651-1713024	G	SMKDS 3/2	2	5	10	18	1.76	1.63	1.38
651-1713037	G	SMKDS 3/3	3	5	15	18	2.63	2.44	2.07
5mm PCB Terminal Blocks - 90° Wire-to-Pin Orientation, Tall Design, UL: 300V @ 15A, 30-12AWG, Green Color									
651-1721045	H	MKKDSH 3/2	2	5	10	31.5	2.67	2.47	2.10
651-1721346	H	MKKDSH 3/3	3	5	15	31.5	4.00	3.69	3.15
5mm PCB Terminal Blocks - Vertical Wire-to-Pin Orientation, UL: 300V @ 10A, 30-14AWG, Green Color									
651-1717091	I	MKDSFW 1.5/2	2	5	10	11.2	2.40	2.22	1.88
651-1717088	I	MKDSFW 1.5/3	3	5	15	11.2	3.61	3.34	2.85
5mm PCB Single Terminal Blocks - 90° Wire-to-Pin Orientation, UL: 300V @ 15A, 30-12AWG, Green Color									
651-1705016	J	KDS 2.5	1	5	5	18	1.85	1.71	1.45
5mm PCB Single Terminal Blocks - 90° Wire to Pin Orientation, Front Connection, UL: 300V @ 10A, 30-12AWG, Green Color									
651-1700008	K	FRONT 2.5-HSA 5	1	5	5	18.5	1.78	1.65	1.40
651-1700040	K	FRONT 2.5-HSA 10	1	5	5	18.5	1.79	1.65	1.40
651-1700024	-	D-FRONT 2.5-H					.31	.26	.239
5mm PCB Single Terminal Blocks - Vertical Wire to Pin Orientation, Front Connection, UL: 300V @ 10A, 30-12AWG, Green Color									
651-1700037	L	FRONT 2.5-VISA 5	1	5	5	19.5	1.78	1.64</	