

MOLEX Eurostyle Terminal Blocks

molex
one company > a world of innovation

RoHS Compliant This product is RoHS compliant.

4.0MM POSITIVE LOCK PLUGGABLE TERMINAL BLOCKS

Features:

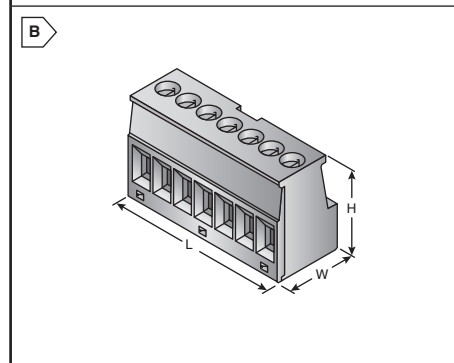
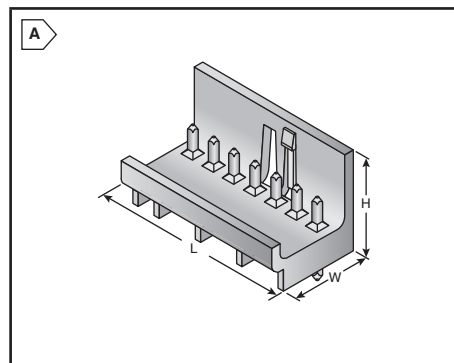
- 4.0mm pitch
- Polarization with audible indication
- Low profile design
- 300V - 10A max.
- Positive locking
- 12-24AWG
- UL 94V-0
- Operating Temperature: -40°C to +140°C



RoHS Compliant

For quantities greater than listed, call for quote.

MOUSER STOCK NO.	Molex Part No.	Fig.	No. of Positions	Dimensions: mm			Price Each			
				L	W	H	1	25	50	100
Headers										
538-39485-0002	39485-0002	A	2	9.03	15.72	16.71	.86	.79	.728	.664
538-39485-0003	39485-0003	A	3	13.03	15.72	16.71	.98	.916	.842	.776
538-39485-0004	39485-0004	A	4	17.03	15.72	16.71	1.29	1.18	1.09	1.00
538-39485-0005	39485-0005	A	5	21.03	15.72	16.71	1.39	1.28	1.18	1.08
538-39485-0006	39485-0006	A	6	25.03	15.72	16.71	1.50	1.37	1.28	1.17
538-39485-0007	39485-0007	A	7	29.03	15.72	16.71	1.64	1.50	1.39	1.27
538-39485-0008	39485-0008	A	8	33.03	15.72	16.71	1.75	1.61	1.48	1.36
538-39485-0009	39485-0009	A	9	37.03	15.72	16.71	1.93	1.77	1.62	1.49
538-39485-0010	39485-0010	A	10	41.03	15.72	16.71	2.07	1.90	1.76	1.61
538-39485-0011	39485-0011	A	11	45.03	15.72	16.71	2.23	2.05	1.87	1.73
538-39485-0012	39485-0012	A	12	49.03	15.72	16.71	2.25	2.07	1.90	1.75
Plugs										
538-39484-0002	39484-0002	B	2	8.92	11.53	16.91	7.78	7.38	7.06	6.48
538-39484-0003	39484-0003	B	3	12.9	11.53	16.91	5.88	5.58	5.34	4.90
538-39484-0004	39484-0004	B	4	16.92	11.53	16.91	8.26	7.85	7.52	6.90
538-39484-0005	39484-0005	B	5	20.9	11.53	16.91	9.72	9.23	8.84	8.10
538-39484-0006	39484-0006	B	6	24.92	11.53	16.91	11.46	10.87	10.42	9.55
538-39484-0007	39484-0007	B	7	28.91	11.53	16.91	10.99	10.66	10.34	8.92
538-39484-0008	39484-0008	B	8	32.92	11.53	16.91	12.28	11.91	11.55	9.97
538-39484-0009	39484-0009	B	9	36.91	11.53	16.91	17.48	16.57	15.88	14.57
538-39484-0010	39484-0010	B	10	40.92	11.53	16.91	19.15	18.20	17.43	15.97
538-39484-0011	39484-0011	B	11	44.91	11.53	16.91	21.36	20.28	19.41	17.79
538-39484-0012	39484-0012	B	12	48.92	11.53	16.91	21.87	20.77	19.90	18.25



TWO-SCREW TERMINAL STRIPS

Features:

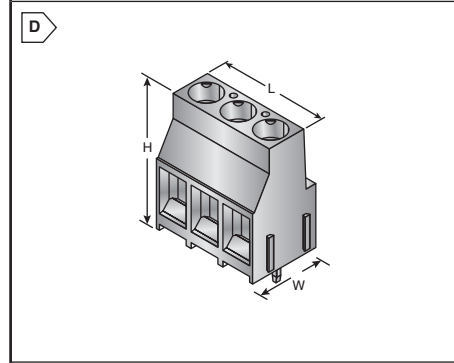
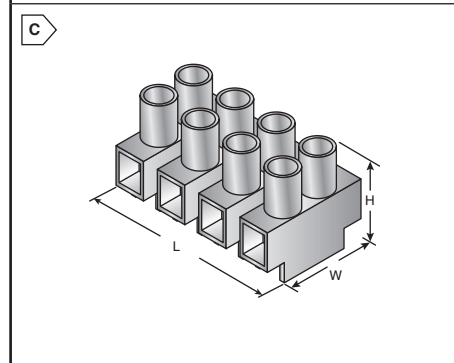
- Modular design
- Recessed contacts and screws
- Wire protectors
- Panel Mount



RoHS Compliant

For quantities greater than listed, call for quote.

MOUSER STOCK NO.	Molex Part No.	Fig.	No. of Positions	Dimensions: mm			Price Each			
				L	W	H	1	25	50	100
8.0mm - 300V - 20A - 12-22AWG										
538-39100-0802	39100-0802	C	2	13.46	18.20	17.30	1.04	.89	.784	.70
538-39100-0803	39100-0803	C	3	21.46	18.20	17.30	1.29	1.02	.956	.88
538-39100-0804	39100-0804	C	4	29.46	18.20	17.30	1.54	1.38	1.26	1.12
538-39100-0805	39100-0805	C	5	37.47	18.20	17.30	1.45	1.31	1.09	1.03
538-39100-0806	39100-0806	C	6	45.47	18.20	17.30	2.55	1.88	1.83	1.62
538-39100-0808	39100-0808	C	8	61.47	18.20	17.30	2.82	2.58	2.29	2.06
538-39100-0810	39100-0810	C	10	77.47	18.20	17.30	2.64	2.41	2.34	2.26
538-39100-0812	39100-0812	C	12	93.47	18.20	17.30	3.32	2.77	2.49	2.18
10.0mm - 300V - 30A - 10-18AWG										
538-39100-1002	39100-1002	C	2	17.00	18.80	19.20	1.02	.80	.66	.611
538-39100-1003	39100-1003	C	3	27.00	18.80	19.20	1.40	1.37	1.17	1.04
538-39100-1004	39100-1004	C	4	37.00	18.80	19.20	1.83	1.78	1.53	1.36
538-39100-1005	39100-1005	C	5	47.00	18.80	19.20	2.11	1.76	1.48	1.29
538-39100-1006	39100-1006	C	6	57.00	18.80	19.20	2.40	2.38	2.00	1.80
538-39100-1008	39100-1008	C	8	77.00	18.80	19.20	2.82	2.66	2.42	2.15
538-39100-1010	39100-1010	C	10	97.00	18.80	19.20	4.09	3.41	3.36	3.06
538-39100-1012	39100-1012	C	12	117.00	18.80	19.20	5.29	4.42	3.93	3.52
12.0mm - 600V - 40A - 8-20AWG										
538-39100-1202	39100-1202	C	2	20.00	23.20	21.20	.88	.796	.71	.622
538-39100-1203	39100-1203	C	3	32.00	23.20	21.20	1.47	1.40	1.20	.993
538-39100-1204	39100-1204	C	4	44.00	23.20	21.20	1.94	1.62	1.59	1.42
538-39100-1206	39100-1206	C	6	68.00	23.20	21.20	2.22	2.05	1.89	1.82
538-39100-1208	39100-1208	C	8	92.00	23.20	21.20	3.65	3.02	2.52	2.24
538-39100-1210	39100-1210	C	10	116.00	23.20	21.20	5.25	3.66	3.61	3.25
538-39100-1212	39100-1212	C	12	140.00	23.20	21.20	4.62	3.85	3.58	3.15
15.0mm - 600V - 63A - 6-14AWG										
538-39100-1502	39100-1502	C	2	25.00	28.00	26.50	2.11	1.76	1.48	1.29
538-39100-1503	39100-1503	C	3	40.00	28.00	26.50	3.20	2.66	2.24	1.96
538-39100-1506	39100-1506	C	6	85.00	28.00	26.50	5.92	5.00	4.93	4.43



HIGH POWER FIXED TERMINAL BLOCKS

Features:

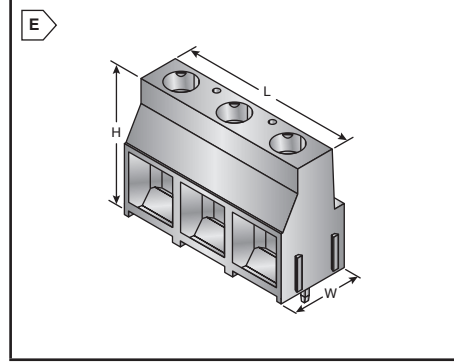
- Dovetail ability
- Rising cage clamp
- UL 94V-0
- Operating Temperature: -40°C to +105°C



RoHS Compliant

For quantities greater than listed, call for quote.

MOUSER STOCK NO.	Molex Part No.	Fig.	No. of Positions	Dimensions: mm			Price Each			
				L	W	H	1	25	50	100
6.35MM - 300V - 30A - 10-30AWG										
538-39380-0102	39380-0102	D	2	12.70	12.50	21.50	.99	.82	.665	.58
538-39380-0103	39380-0103	D	3	19.05	12.50	21.50	1.82	1.72	1.56	1.45
9.52MM - 600V - 30A - 10-30AWG										
538-39390-0102	39390-0102	E	2	19.10	12.50	21.50	1.22	1.14	1.07	.98
538-39390-0103	39390-0103	E	3	28.60	12.50	21.50	2.21	2.02	1.92	1.78



Terminal Blocks Molex