

# MOLEX Eurostyle Terminal Blocks

RoHS Compliant This product is RoHS compliant.

## 5.0MM EUROSTYLE ESE PLUGGABLE TERMINAL BLOCKS

**Features:**

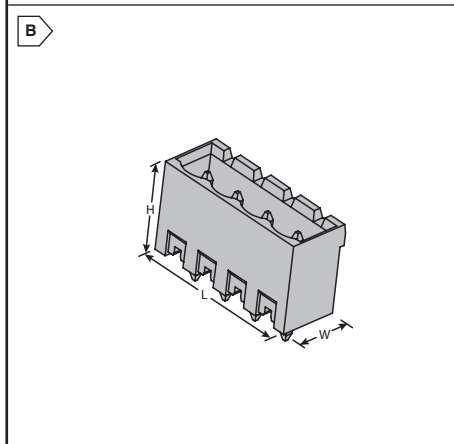
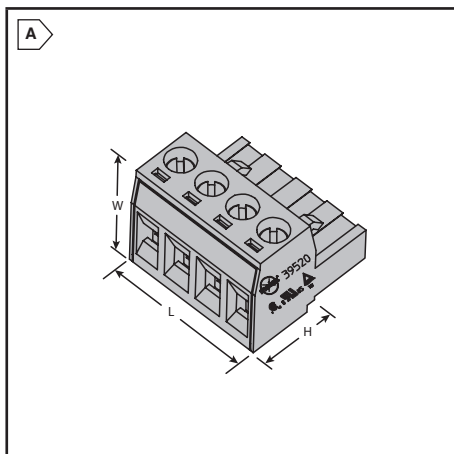
- Insulator: Polyamide UL94V-0, Black
- Contact plating: Tin
- Current: 15Amps 300Volts
- Wire Range: 12-26AWG
- Operating Temperature: -40°C to +105°F
- Termination: Screw rising cage clamp



RoHS Compliant

For quantities greater than listed, call for quote.

MOUSER STOCK NO.	Molex Part No.	Fig.	No. of Circuits	Dimensions: mm			Price Each			
				H	W	L	1	25	50	100
<b>Pluggable Terminal Blocks - Horizontal</b>										
538-39520-0002	39520-0002	A	2	9.90	15.00	10.00	1.36	1.28	1.14	1.01
538-39520-0003	39520-0003	A	3	9.90	15.00	15.00	2.43	1.95	1.68	1.49
538-39520-0004	39520-0004	A	4	9.90	15.00	20.00	1.97	1.91	1.64	1.47
538-39520-0005	39520-0005	A	5	9.90	15.00	25.00	3.10	2.64	2.48	2.23
538-39520-0006	39520-0006	A	6	9.90	15.00	30.00	2.94	2.85	2.45	2.20
538-39520-0007	39520-0007	A	7	9.90	15.00	35.00	5.04	4.94	3.47	3.12
538-39520-0008	39520-0008	A	8	9.90	15.00	40.00	4.89	4.27	4.08	3.67
538-39520-0009	39520-0009	A	9	9.90	15.00	45.00	6.43	6.23	4.43	3.99
538-39520-0010	39520-0010	A	10	9.90	15.00	50.00	7.17	6.95	4.94	4.45
538-39520-0012	39520-0012	A	12	9.90	15.00	60.00	8.03	6.80	5.85	5.24
<b>PCB Headers - Vertical - Closed Ends</b>										
538-39521-1002	39521-1002	B	2	12.00	8.30	12.00	.77	.72	.60	.546
538-39521-1003	39521-1003	B	3	12.00	8.30	17.00	1.02	.92	.671	.604
538-39521-1004	39521-1004	B	4	12.00	8.30	22.00	1.22	1.18	.80	.72
538-39521-1005	39521-1005	B	5	12.00	8.30	27.00	1.82	1.53	1.37	1.23
538-39521-1006	39521-1006	B	6	12.00	8.30	32.00	1.54	1.50	1.24	1.10
538-39521-1007	39521-1007	B	7	12.00	8.30	37.00	2.07	1.78	1.43	1.27
538-39521-1008	39521-1008	B	8	12.00	8.30	42.00	2.34	2.26	1.62	1.44
538-39521-1009	39521-1009	B	9	12.00	8.30	47.00	3.38	2.65	2.50	2.25
538-39521-1010	39521-1010	B	10	12.00	8.30	52.00	2.96	2.93	2.06	1.83
538-39521-1012	39521-1012	B	12	12.00	8.30	62.00	3.21	2.95	2.23	1.98
<b>PCB Headers - Horizontal - Closed Ends</b>										
538-39522-1002	39522-1002	C	2	8.30	12.00	12.00	.45	.42	.41	.32
538-39522-1003	39522-1003	C	3	8.30	12.00	17.00	.82	.80	.70	.63
538-39522-1004	39522-1004	C	4	8.30	12.00	22.00	1.14	.998	.918	.826
538-39522-1005	39522-1005	C	5	8.30	12.00	27.00	1.77	1.16	1.12	1.04
538-39522-1006	39522-1006	C	6	8.30	12.00	32.00	1.90	1.54	1.31	1.17
538-39522-1007	39522-1007	C	7	8.30	12.00	37.00	2.18	1.74	1.50	1.33
538-39522-1008	39522-1008	C	8	8.30	12.00	42.00	2.01	1.78	1.68	1.49
538-39522-1009	39522-1009	C	9	8.30	12.00	47.00	2.82	2.34	1.94	1.72
538-39522-1010	39522-1010	C	10	8.30	12.00	52.00	2.99	2.35	2.06	1.83
538-39522-1012	39522-1012	C	12	8.30	12.00	62.00	3.31	2.86	2.28	2.05



## 5.08MM EUROSTYLE ESE PLUGGABLE TERMINAL BLOCKS

**Features:**

- Insulator: Polyamide UL94V-0, Black
- Contact plating: Tin
- Current: 15Amps 300Volts
- Wire Range: 12-26AWG
- Operating Temperature: -40°C to +105°F
- Termination: Screw rising cage clamp
- Polarization
- Pitch: 5.08mm
- RoHS compliant per Molex documentation



RoHS Compliant

For quantities greater than listed, call for quote.

MOUSER STOCK NO.	Molex Part No.	Fig.	No. of Circuits	Dimensions: mm			Price Each			
				H	W	L	1	25	50	100
<b>Pluggable Terminal Blocks - Vertical</b>										
538-39533-2002	39533-2002	D	2	17.60	12.70	10.16	1.02	.967	.848	.763
538-39533-2003	39533-2003	D	3	17.60	12.70	15.24	1.44	1.25	1.20	1.06
538-39533-2004	39533-2004	D	4	17.60	12.70	20.32	1.62	1.57	1.35	1.20
538-39533-2005	39533-2005	D	5	17.60	12.70	25.40	4.43	3.46	3.05	2.74
538-39533-2006	39533-2006	D	6	17.60	12.70	30.48	2.52	2.22	2.03	1.83
538-39533-2008	39533-2008	D	8	17.60	12.70	40.64	5.24	4.43	3.83	3.42
538-39533-2010	39533-2010	D	10	17.60	12.70	50.80	4.92	3.76	3.39	3.05
<b>Pluggable Terminal Blocks - Horizontal</b>										
538-39530-0002	39530-0002	A	2	9.90	15.00	10.16	1.83	1.45	1.20	1.08
538-39530-0003	39530-0003	A	3	9.90	15.00	15.24	2.34	1.87	1.62	1.44
538-39530-0004	39530-0004	A	4	9.90	15.00	20.32	3.12	2.54	2.16	1.92
538-39530-0005	39530-0005	A	5	9.90	15.00	25.40	3.00	2.40	2.32	2.16
538-39530-0006	39530-0006	A	6	9.90	15.00	30.48	3.58	3.33	2.96	2.68
538-39530-0008	39530-0008	A	8	9.90	15.00	40.64	4.76	4.45	3.81	3.43
538-39530-0010	39530-0010	A	10	9.90	15.00	50.80	6.97	5.45	4.80	4.32
538-39530-0012	39530-0012	A	12	9.90	15.00	60.96	7.50	6.11	5.47	4.90
<b>PCB Headers - Vertical - Closed Ends</b>										
538-39531-1002	39531-1002	B	2	12.00	8.30	12.16	.56	.53	.432	.376
538-39531-1003	39531-1003	B	3	12.00	8.30	17.24	.86	.79	.73	.65
538-39531-1004	39531-1004	B	4	12.00	8.30	22.32	1.18	1.08	1.00	.90
538-39531-1005	39531-1005	B	5	12.00	8.30	27.40	1.45	1.32	1.20	1.08
538-39531-1006	39531-1006	B	6	12.00	8.30	32.43	1.84	1.43	1.27	1.13
538-39531-1008	39531-1008	B	8	12.00	8.30	42.64	2.08	1.91	1.74	1.54
538-39531-1010	39531-1010	B	10	12.00	8.30	52.80	3.08	2.46	2.13	1.89
538-39531-1012	39531-1012	B	12	12.00	8.30	62.96	3.39	2.64	2.34	2.10
<b>PCB Header - Horizontal - Closed Ends</b>										
538-39532-1002	39532-1002	C	2	8.30	12.00	12.16	.70	.61	.54	.47
538-39532-1003	39532-1003	C	3	8.30	12.00	17.24	.82	.73	.671	.604
538-39532-1004	39532-1004	C	4	8.30	12.00	22.32	.91	.885	.773	.696
538-39532-1005	39532-1005	C	5	8.30	12.00	27.40	1.77	1.25	1.16	1.04
538-39532-1006	39532-1006	C	6	8.30	12.00	32.48	1.54	1.38	1.24	1.10
538-39532-1008	39532-1008	C	8	8.30	12.00	42.64	2.34	1.81	1.62	1.44
538-39532-1010	39532-1010	C	10	8.30	12.00	52.80	2.99	2.23	2.06	1.83
538-39532-1012	39532-1012	C	12	8.30	12.00	62.96	3.20	2.41	2.20	1.98

