

TE Terminals and Splices



This product is RoHS compliant.



ULTRA-FAST FULLY INSULATED FASTON RECEPTACLES AND TABS

- Tin-plated brass
- Flammability rating: UL94V-0
- Nylon insulation



For quantities greater than listed, call for quote.

MOUSER STOCK NO.	TE Part No.	Fig.	Color	Size (In.)	Wire Size (AWG)	Price Each			
						1	100	500	1000
Fully Insulated FASTON Receptacles									
571-25200842	2-520084-2	A	Red	.110/.125 x .020	22-18	.26	.245	.208	.155
* 571-2-520182-2	2-520182-2	A	Red	.187 x .020	22-18	.20	.194	.166	.145
571-25204092	2-520409-2	A	Red	.187 x .020	22-18	.29	.27	.25	.216
571-33508162	3-350816-2	A	Blue	.187 x .020	16-14	.22	.208	.194	.145
571-2-520184-2	2-520184-2	A	Red	.250 x .032	22-18	.21	.196	.188	.157
* 571-2-520407-2	2-520407-2	A	Red	.250 x .032	22-18	.37	.343	.317	.236
571-33508202	3-350820-2	A	Blue	.250 x .032	16-14	.24	.222	.211	.157
* 571-35204082	3-520408-2	A	Blue	.250 x .032	16-14	.37	.341	.317	.236
Fully Insulated FASTON Flag Receptacles									
571-25203352	2-520335-2	B	Red	.187 x .020	22-18	.33	.27	.259	.247
571-3-520339-2	3-520339-2	B	Blue	.187 x .020	16-14	.39	.343	.312	.268
571-25201292	2-520129-2	B	Red	.250 x .032	22-18	.45	.403	.343	.255
571-35201332	3-520133-2	B	Blue	.250 x .032	16-14	.34	.26	.24	.229
Fully Insulated FASTON Tabs									
571-25201032	2-520103-2	C	Red	.250 x .032	22-18	.39	.324	.272	.26
571-35201072	3-520107-2	C	Blue	.250 x .032	16-14	.40	.38	.364	.271
571-25211032	2-521103-2	C	Red	.187 x .020	22-18	.40	.334	.267	.222

Tools for Ultra-Fast FASTON Terminals

For quantities greater than listed, call for quote.

MOUSER STOCK NO.	TE Part No.	Description	Price Each
571-58078-3	58078-3	Crimping tool frame without dies	299.79
571-903903	90390-3	22-18 awg die set	381.22
571-903913	90391-3	16-14 awg die set	291.06

SOLISTRAND, UNINSULATED TERMINALS

Designed to terminate solid and stranded wire and irregular shaped conductors while retaining performance characteristics of single purpose terminals and splices.

- Tin-plated copper
- Temperature rating: 170°C
- Meet or exceed the requirements of MIL-T-7928, Type 1, Class 1 and 2



Ring Tongue Terminals

For quantities greater than listed, call for quote.

MOUSER STOCK NO.	TE Part No.	Fig.	Stud Size	Wire Size (AWG)	Price Each			
					1	100	500	1000
571-34105	34105	D	#6	22-16	.15	.144	.134	.10
571-34108	34108	D	#8	22-16	.25	.226	.192	.143
571-34109	34109	D	#10	22-16	.25	.226	.192	.143
571-34113	34113	D	1/4"	22-16	.26	.191	.164	.133
571-34114	34114	D	5/16"	22-16	.33	.27	.23	.17
571-34115	34115	D	3/8"	22-16	.28	.25	.23	.17
571-34120	34120	D	#6	16-14	.25	.226	.192	.143
571-34122	34122	D	#8	16-14	.15	.13	.12	.11
571-34123	34123	D	#10	16-14	.15	.121	.116	.09
571-34124	34124	D	1/4"	16-14	.26	.244	.225	.168
571-34125	34125	D	5/16"	16-14	.31	.27	.23	.17
571-34126	34126	D	3/8"	16-14	.14	.139	.135	.133
571-35476	35476	D	#6	12-10	.35	.311	.265	.197
571-32994	32994	D	#8	12-10	.24	.198	.185	.156
571-33457	33457	D	#10	12-10	.17	.121	.11	.097
571-33458	33458	D	1/4"	12-10	.20	.188	.18	.154
571-33459	33459	D	5/16"	12-10	.28	.25	.21	.15
571-33220	33220	D	3/8"	12-10	.37	.358	.304	.227

Spade Tongue Terminals

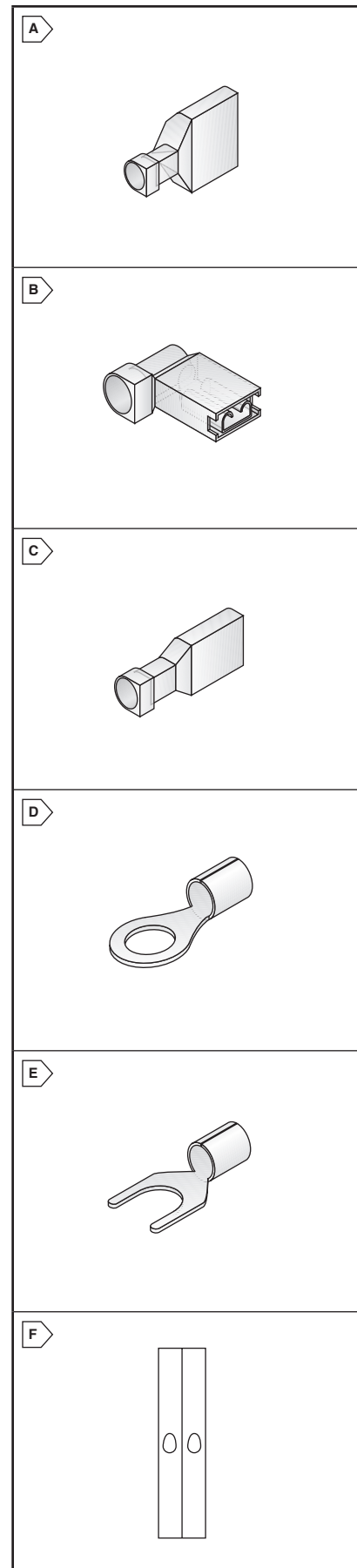
For quantities greater than listed, call for quote.

MOUSER STOCK NO.	TE Part No.	Fig.	Stud Size	Wire Size (AWG)	Price Each			
					1	100	500	1000
571-535551	53555-1	E	#2	22-16	.38	.35	.30	.22
571-323127	323127	E	#6	22-16	.25	.223	.19	.142
571-34117	34117	E	#8	22-16	.26	.221	.193	.145
571-34118	34118	E	#10	22-16	.18	.14	.13	.11
571-322451	322451	E	#6	12-10	.42	.385	.312	.233
571-32995	32995	E	#8	12-10	.30	.274	.233	.173

Butt Splices

For quantities greater than listed, call for quote.

MOUSER STOCK NO.	TE Part No.	Fig.	Stud Size	Wire Size (AWG)	Price Each			
					1	100	500	1000
571-31818	31818	F	---	22-16	.24	.21	.179	.133
571-31819	31819	F	---	16-14	.47	.419	.357	.266
571-32151	32151	F	---	12-10	.35	.32	.29	.25



Terminals

TE Connectivity