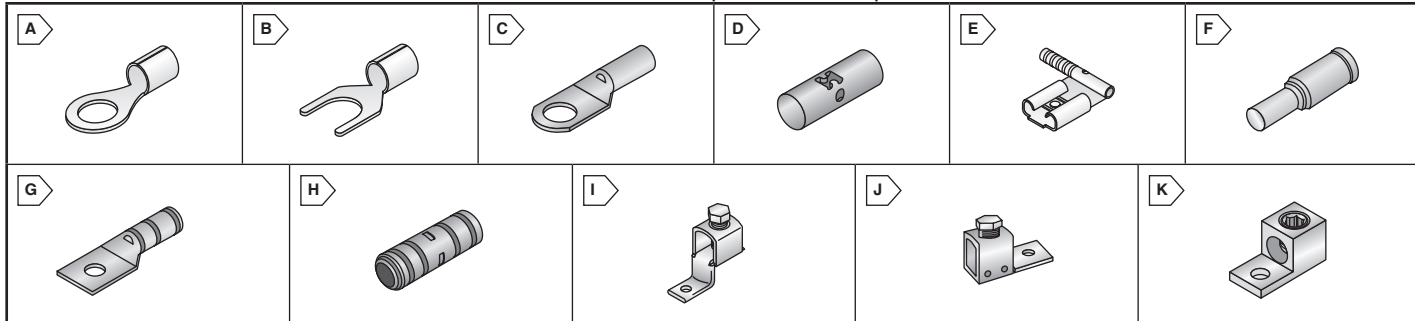


PANDUIT Terminals, Power Connectors and Tools



RoHS Compliant This product is RoHS compliant.



NON-INSULATED TERMINALS

Rings

For quantities greater than listed, call for quote.

MOUSER STOCK NO.	Fig.	Wire Size	Stud Size	Price Each			
				1	100	500	1000
644-P18-4R-M	A	22-18	4	.33	.172	.151	.129
644-P18-8R-M	A	22-18	8	.33	.161	.14	.129
644-P18-10R-M	A	22-18	10	.33	.161	.14	.129
644-P14-4R-M	A	16-14	4	.34	.172	.14	.129
644-P14-6R-M	A	16-14	6	.33	.172	.14	.129
644-P14-8R-M	A	16-14	8	.33	.172	.14	.129
644-P10-6R-L	A	12-10	6	.55	.493	.414	.381
644-P10-8R-L	A	12-10	8	.52	.47	.426	.381
644-P10-14R-L	A	12-10	1/4	.80	.723	.658	.593
644-P10-56R-L	A	12-10	5/16	.80	.723	.658	.593

Forks

For quantities greater than listed, call for quote.

MOUSER STOCK NO.	Fig.	Wire Size	Stud Size	Price Each			
				1	100	500	1000
644-P18-6F-M	B	22-18	6	.33	.172	.14	.129
644-P18-6FN-M	B	22-18	6	.34	.179	.145	.133
644-P18-8F-M	B	22-18	8	.35	.179	.156	.134
644-P18-10F-M	B	22-18	10	.34	.172	.151	.129
644-P18-14F-M	B	22-18	14	.25	.237	.215	.194
644-P14-6F-M	B	16-14	6	.33	.161	.14	.129
644-P14-6FN-M	B	16-14	6	.34	.179	.145	.133
644-P14-8F-M	B	16-14	8	.35	.179	.145	.133
644-P14-10F-M	B	16-14	10	.35	.179	.156	.133
644-P14-14F-M	B	16-14	1/4	.23	.212	.179	.167
644-P10-6F-L	B	12-10	6	.65	.595	.527	.482
644-P10-8F-L	B	12-10	8	.59	.47	.37	.347
644-P10-10F-L	B	12-10	10	.61	.482	.426	.37
644-P10-14F-L	B	12-10	1/4	.70	.54	.468	.425

Tubular Rings

For quantities greater than listed, call for quote.

MOUSER STOCK NO.	Fig.	Wire Size	Stud Size	Price Each			
				1	100	500	1000
644-S6-10R-E	C	6	10	1.74	1.36	1.08	1.01
644-S6-14R-E	C	6	1/4	1.75	1.37	1.10	1.00
644-S6-56R-E	C	6	5/16	1.58	1.23	1.12	1.05
644-S6-38R-E	C	6	3/8	1.58	1.23	1.10	.99
644-S2-10R-X	C	2 and 1	10	4.64	4.18	3.76	3.39
644-S2-14R-X	C	2 and 1	1/4	4.22	3.30	2.65	2.43
644-S2-56R-X	C	2 and 1	5/16	4.49	3.50	2.79	2.53
644-S2-38R-X	C	2 and 1	3/8	4.32	3.37	2.69	2.45

Butt Splices

For quantities greater than listed, call for quote.

MOUSER STOCK NO.	Fig.	Wire Size	Stud Size	Price Each			
				1	100	500	1000
644-BS18-M	D	22-18	----	.29	.259	.226	.205
644-BS14-M	D	16-14	----	.27	.248	.226	.194

Right Angle Female Disconnects (Sleeved Barrel)

For quantities greater than listed, call for quote.

MOUSER STOCK NO.	Fig.	Wire Size	Stud Size	Price Each			
				1	100	500	1000
644-DR18-250-M	E	22-18	.250 x .032	.33	.291	.269	.226
644-DR14-250-M	E	16-14	.250 x .032	.33	.302	.269	.237

Right Angle Female Disconnects (Butted Seam)

For quantities greater than listed, call for quote.

MOUSER STOCK NO.	Fig.	Wire Size	Stud Size	Price Each			
				1	100	500	1000
644-DR18-250B-M	E	22-18	.250 x .032	.25	.226	.205	.183
644-DR14-250B-M	E	16-14	.250 x .032	.25	.235	.212	.168

NYLON WIRE JOINTS - INSULATED

For quantities greater than listed, call for quote.

MOUSER STOCK NO.	Fig.	Wire Size	Length	Color Code	Price Each			
					1	100	500	1000
644-JN224-318-M	F	24-16	.79	Red	.42	.391	.314	.279
644-JN218-216M	F	24-16	.78	Clear	.41	.377	.302	.226

POWER CONNECTORS

Copper Compression Lugs and Splices



* Plating: Electro-Tin

For quantities greater than listed, call for quote.

MOUSER STOCK NO.	Fig.	Cond. Size Range	Current Rating (Amps)	Stud Hole Size (in.)	Hex Key Size (in.)	Price Each			
						1	10	100	500
644-LCA8-10-L	G	8	5/8	Red P21	#10	2.13	1.99	1.91	1.81
644-LCA8-14-L	G	8	5/8	Red P21	1/4"	2.21	2.07	1.98	1.87
644-LCA6-10-L	G	6	7/8	Blue P24	#10	2.35	2.21	2.10	1.98
644-LCA6-14-L	G	6	7/8	Blue P24	1/4"	2.30	2.14	2.06	1.98
644-LCA6-56-L	G	6	7/8	Blue P24	5/16"	2.36	2.20	2.11	1.98
644-LCA6-38-L	G	6	7/8	Blue P24	3/8"	2.38	2.22	2.13	2.00
644-LCA4-14-L	G	4	7/8	Gray P29	1/4"	2.90	2.71	2.61	2.53
644-LCA1-14-E	G	1	15/16	Green P37	1/4"	5.37	5.04	4.81	4.38
644-LCA1/0-38-X	G	1/0	1.0	Pink P42	3/8"	6.59	6.18	5.77	5.57
644-SCS8-L	H	8	11/16	Red P21	---	2.94	2.77	2.63	2.48

Controlled Cycle Crimping Tool

MOUSER STOCK NO.	Price Each
644-CT-1700	265.82

Hand Operated Plier Type Crimping Tool

MOUSER STOCK NO.	Price Each
644-CT-160	51.21

Mechanical Connectors

For quantities greater than listed, call for quote.

MOUSER STOCK NO.	Fig.	Cond. Size Range	Current Rating (Amps)	Stud Hole Size (in.)	Hex Key Size (in.)	Price Each				
						1	10	100	500	
Copper Lugs										
644-CB175-38-QY	I	4-3/0	175	3/8	5/16	9.34	8.78	8.19	7.89	
644-CB35-36-CY	I	14-6	50	3/16	---	1.99	1.90	1.79	1.70	
644-CBA70-14-CY	I	14-4	70	1/4	---	1.60	1.49	1.39	1.27	
644-CX35-36-CY	J	14-6	50	3/16	---	1.55	1.45	1.39	1.30	
644-CX70-14-CY	J	14-4	70	1/4	---	2.36	2.22	2.11	2.00	
644-CX125-14-QY	J	4-1/0	125	1/4	---	4.64	4.36	4.06	3.93	
Aluminum Lugs										
644-LAMA6-14-QY	K	14-6	---	1/4	---	1.38	1.29	1.20	1.15	
644-LAMA2-14-QY	K	14-2	---	1/4	---	1.54	1.38	1.31	1.24	
644-LAMA1/0-14-QY	K	14-1/0	---	1/4	---	2.45	2.30	2.24	2.14	
644-LAMA2/0-14-QY	K	14-2/0	---	1/4	---	2.45	2.25	2.15	2.05	
644-LAMA250-56-QY	K	6-250	---	5/16	3/8	4.88	4.57	4.35	4.26	

Stock No. Suffix Denotes Standard Package Quantity: X = 10, Q = 25, L = 50, C = 100, D = 500, M = 1000

TERMINAL ACCESSORIES

KP-1075Y includes the following:
 20 each; PV18-8R, PV18-6R, PV14-8R, PV14-810R
 10 each; PV10-8R, PV10-810R, DNF14-250, DNF18-250, BSV18X, BSV14X, BSV10X
 5 each; JN148-212

MOUSER STOCK NO.	Description	Price Each
644-KP-1075Y	Terminal kit without crimping tool, 155 pieces	74.90
644-K-1100	Terminal kit box with CT-100 (terminals not included)	111.26
644-CT100A	All purpose crimper/stripper tool	60.43
644-CT-200	Non-insulated crimper tool	46.33