

VCC LED Lenses and Mounting Components



OPTOELECTRONICS

RoHS Compliant This product is RoHS compliant.

CLIPLITE® ROUND LENS MOUNTS FOR T1 AND T1-3/4 LEDs

Features:

- Provides 180° viewing angles for LEDs
- Easy snap-mount method for front panel assembly
- ESD protection for LED and internal components to 16K volts
- Lens utilize striated lines and fresnel rings to increase apparent brightness up to 125%

Specifications:

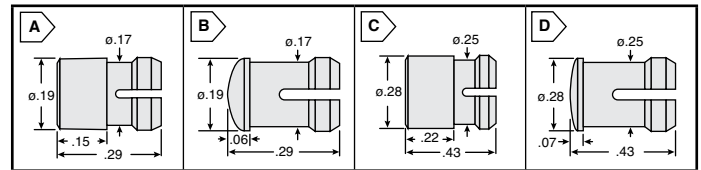
- Lens material: Polycarbonate

DIMENSIONS: in.

T1 (3mm)

For quantities greater than listed, call for quote.

| MOUSER STOCK NO. | VCC Part No. | Fig. | Mounting Hole: in. | Lens Color | Price Each | | | |
|-------------------------------------|--------------|------|--------------------|---------------|------------|------|------|------|
| | | | | | 1 | 10 | 100 | 500 |
| SML Series - Standard Height | | | | | | | | |
| 593-1900R | SML190RTP | A | .171 | Red | .28 | .24 | .22 | .17 |
| 593-1900A | SML190ATP | A | .171 | Amber | .28 | .24 | .22 | .17 |
| 593-1900Y | SML190YTP | A | .171 | Yellow | .28 | .24 | .22 | .17 |
| 593-1900G | SML190GTP | A | .171 | Green | .28 | .24 | .22 | .17 |
| 593-1900B | SML190BTP | A | .171 | Blue | .28 | .24 | .22 | .17 |
| 593-1900C | SML190CTP | A | .171 | Clear | .28 | .245 | .225 | .173 |
| 593-1900GLO | SML190GLO | A | .171 | White Frosted | .39 | .34 | .30 | .24 |
| SMB Series - Low Profile | | | | | | | | |
| 593-2000R | SMB200RTP | B | .171 | Red | .28 | .24 | .22 | .17 |
| 593-2000A | SMB200ATP | B | .171 | Amber | .28 | .24 | .22 | .17 |
| 593-2000Y | SMB200YTP | B | .171 | Yellow | .28 | .24 | .22 | .17 |
| 593-2000G | SMB200GTP | B | .171 | Green | .28 | .24 | .22 | .17 |
| 593-2000B | SMB200BTP | B | .171 | Blue | .28 | .24 | .22 | .17 |
| 593-2000C | SMB200CTP | B | .171 | Clear | .28 | .24 | .22 | .17 |
| 593-2000GLO | SMB200GLO | B | .171 | White Frosted | .39 | .34 | .30 | .24 |



T1-3/4 (5mm)

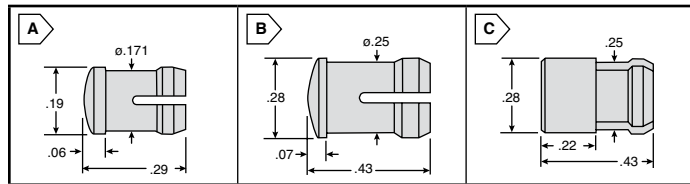
For quantities greater than listed, call for quote.

| MOUSER STOCK NO. | VCC Part No. | Fig. | Mounting Hole: in. | Lens Color | Price Each | | | |
|-------------------------------------|--------------|------|--------------------|---------------|------------|-----|-----|-----|
| | | | | | 1 | 10 | 100 | 500 |
| CLF Series - Standard Height | | | | | | | | |
| 593-2800R | CLF280RTP | C | .25 | Red | .31 | .26 | .24 | .19 |
| 593-2800A | CLF280ATP | C | .25 | Amber | .31 | .26 | .24 | .19 |
| 593-2800Y | CLF280YTP | C | .25 | Yellow | .31 | .26 | .24 | .19 |
| 593-2800G | CLF280GTP | C | .25 | Green | .31 | .26 | .24 | .19 |
| 593-2800B | CLF280BTP | C | .25 | Blue | .31 | .27 | .25 | .19 |
| 593-2800C | CLF280CTP | C | .25 | Clear | .31 | .26 | .24 | .19 |
| 593-2800GLO | CLF280GLO | C | .25 | White Frosted | .43 | .37 | .33 | .26 |
| CLB Series - Low Profile | | | | | | | | |
| 593-3000R | CLB300RTP | D | .25 | Red | .31 | .26 | .24 | .19 |
| 593-3000A | CLB300ATP | D | .25 | Amber | .31 | .26 | .24 | .19 |
| 593-3000Y | CLB300YTP | D | .25 | Yellow | .31 | .26 | .24 | .19 |
| 593-3000G | CLB300GTP | D | .25 | Green | .31 | .26 | .24 | .19 |
| 593-3000B | CLB300BTP | D | .25 | Blue | .31 | .26 | .24 | .19 |
| 593-3000C | CLB300CTP | D | .25 | Clear | .31 | .27 | .25 | .19 |
| 593-3000GLO | CLB300GLO | D | .25 | White Frosted | .43 | .37 | .33 | .26 |

CUBELITE® SQUARE LENS

MOUNTS FOR T1 AND T1-3/4 LEDs

DIMENSIONS: in.

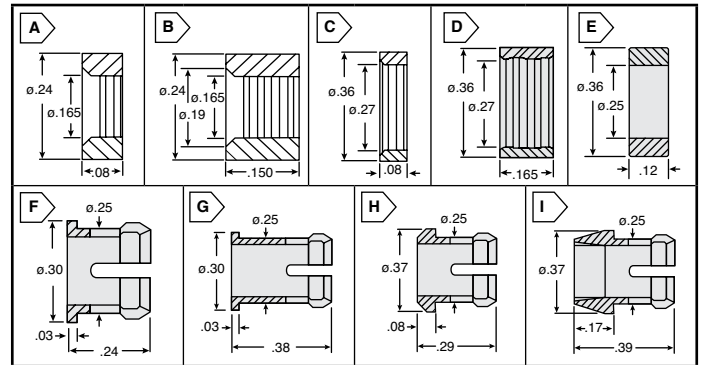


For quantities greater than listed, call for quote.

| MOUSER STOCK NO. | VCC Part No. | Fig. | Litepipe Length: in. | Price Each | | | |
|--------------------------------|--------------|------|----------------------|------------|-----|-----|-----|
| | | | | 1 | 10 | 100 | 500 |
| T1 (3mm) SMQ Series | | | | | | | |
| 593-2500R | SMQ250RTP | A | | .28 | .24 | .22 | .17 |
| 593-2500A | SMQ250ATP | A | | .28 | .25 | .23 | .17 |
| 593-2500Y | SMQ250YTP | A | | .28 | .25 | .23 | .17 |
| 593-2500G | SMQ250GTP | A | | .28 | .24 | .22 | .17 |
| 593-2500B | SMQ250BTP | A | | .28 | .25 | .23 | .17 |
| 593-2500C | SMQ250CTP | A | | .28 | .24 | .22 | .17 |
| T1-3/4 (5mm) SQB Series | | | | | | | |
| 593-4000R | SQB400RTP | B | | .31 | .26 | .24 | .19 |
| 593-4000A | SQB400ATP | B | | .31 | .26 | .24 | .19 |
| 593-4000Y | SQB400YTP | B | | .31 | .27 | .25 | .19 |
| 593-4000G | SQB400GTP | B | | .31 | .27 | .25 | .19 |
| 593-4000B | SQB400BTP | B | | .31 | .26 | .24 | .19 |
| 593-4000C | SQB400CTP | B | | .31 | .26 | .24 | .19 |
| T1-3/4 (5mm) SQL Series | | | | | | | |
| 593-3600R | SQL360RTP | C | | .31 | .27 | .25 | .19 |
| 593-3600A | SQL360ATP | C | | .31 | .27 | .25 | .19 |
| 593-3600Y | SQL360YTP | C | | .31 | .27 | .25 | .19 |
| 593-3600G | SQL360GTP | C | | .31 | .27 | .25 | .19 |
| 593-3600B | SQL360BTP | C | | .31 | .27 | .25 | .19 |
| 593-3600C | SQL360CTP | C | | .31 | .26 | .24 | .19 |

RETAINING RINGS, MOUNTING CLIPS, AND SPACERS FOR LENSES

DIMENSIONS: in.



For quantities greater than listed, call for quote.

| MOUSER STOCK NO. | Fig. | Description | Price Each | | |
|------------------------|------|------------------------------|------------|------|------|
| | | | 1 | 10 | 100 |
| Retaining Rings | | | | | |
| 593-RNG132 | A | For SMC Series | .18 | .147 | .13 |
| 593-RNG165 | B | For SML, SMB, and SMQ Series | .13 | .111 | .099 |
| 593-RNG234 | C | For CMC Series | .13 | .111 | .099 |
| 593-RNG268 | D | For CLF, CLB, and SQB Series | .13 | .111 | .099 |
| LED Space | | | | | |
| 593-SPC125 | E | Spacer for CLB Series | .11 | .09 | .08 |
| Mounting Clips | | | | | |
| 593-CLP125 | F | Standard Clip | .17 | .141 | .126 |
| 593-CLP126 | G | Extended Clip | .17 | .141 | .126 |
| 593-CLP127 | H | Outer Reflector Clip | .17 | .141 | .126 |
| 593-CLP129 | I | Inner Reflector Clip | .17 | .141 | .126 |

LITEPIPES

Material Specifications:

- Litepipe: acrylic (optical grade)

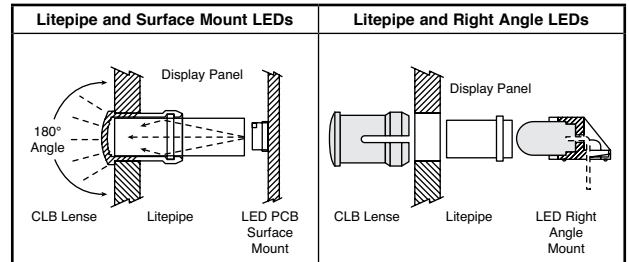
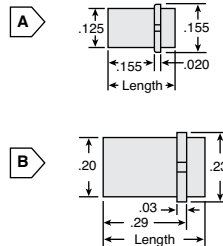
Mounting Specifications:

- T1 (3mm): mates with lens SMB 200. Panel mounting hole .171 (4.3mm) on 1/4" centers. Panel thickness 1/32" to 1/8". Litepipe lengths from .200" to 1.200".
- T1-3/4 (5mm): mate with lens CLB 300 and SQB 400. Panel mounting hole .250 (6.35mm) on 3/8" centers. Panel thickness 1/32" to 1/4". Litepipe lengths from .360" to 1.360". For panels less than 3/16" use SPC 125 spacer.

Standoff Specifications:

- Use VCC's standoff to adjust the height of a standard LED above the PCB and maintain a maximum .050" clearance between litepipe and LED.

DIMENSIONS: in.



T1 (3mm) LSV Series LEDs

For quantities greater than listed, call for quote.

| MOUSER STOCK NO. | VCC Part No. | Fig. | Litepipe Length: in. | Price Each | | | |
|------------------|--------------|------|----------------------|------------|-----|-----|-----|
| | | | | 1 | 10 | 100 | 500 |
| 593-LSV020C | LSV020CTP | A | .20 | .36 | .31 | .28 | .22 |
| 593-LSV040C | LSV040CTP | A | .40 | .36 | .31 | .28 | .22 |
| 593-LSV060C | LSV060CTP | A | .60 | .36 | .31 | .28 | .22 |
| 593-LSV080C | LSV080CTP | A | .80 | .36 | .31 | .28 | .22 |
| 593-LSV100C | LSV100CTP | A | 1.00 | .36 | .31 | .28 | .22 |
| 593-LSV120C | LSV120CTP | A | 1.20 | .36 | .31 | .28 | .22 |

T1-3/4 (5mm) LCV Series LEDs

For quantities greater than listed, call for quote.

| MOUSER STOCK NO. | VCC Part No. | Fig. | Litepipe Length: in. | Price Each | | | |
|------------------|--------------|------|----------------------|------------|-----|-----|-----|
| | | | | 1 | 10 | 100 | 500 |
| 593-LCV036C | LCV036CTP | B | .36 | .36 | .31 | .28 | .22 |
| 593-LCV056C | LCV056CTP | B | .56 | .36 | .31 | .28 | .22 |
| 593-LCV076C | LCV076CTP | B | .76 | .36 | .31 | .28 | .22 |
| 593-LCV096C | LCV096CTP | B | .96 | .36 | .31 | .28 | .22 |
| 593-LCV116C | LCV116CTP | B | 1.16 | .36 | .31 | .28 | .22 |
| 593-LCV136C | LCV136CTP | B | 1.36 | .36 | .31 | .28 | .22 |