

KEYSTONE Terminals



This product is RoHS compliant.

KEYSTONE PC MOUNT SCREW TYPE TERMINAL POST

- Current rating: 15A
 - Terminal material: thick brass matte tin finish
 - Screw type: 6-32 x 1/4LG nickel-plated steel
 - † Screw type: M3x6.35L nickel-plated steel
- For quantities greater than listed, call for quote.

Horizontal

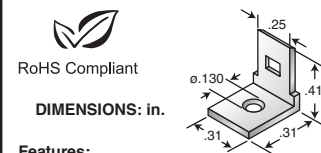
MOUSER STOCK NO.	Fig.	Description	Price Each			
			1	100	500	1000
534-7690	A	Snap mount terminal, loose	.46	.27	.24	.19
534-7692	A	Snap mount terminal, assembled	.62	.35	.259	.239
† 534-7689	A	Snap mount terminal, loose	.53	.262	.239	.184
† 534-7695	A	Snap mount terminal, assembled	.66	.331	.277	.255
534-8190	B	Horizontal PC mount	.43	.24	.218	.166
534-7700	B	PC mount terminal assembled	.47	.27	.249	.208

Vertical

534-7691	C	Snap mount terminal, loose	.59	.38	.26	.17
534-7693	C	Snap mount terminal, assembled	.54	.31	.26	.23
† 534-7698	C	Snap mount terminal, loose	.48	.262	.228	.174
† 534-7696	C	Snap mount terminal, assembled	.62	.356	.293	.25
534-8191	D	Vertical PC mount	.36	.22	.19	.15
534-7701	D	PC mount terminal, assembled	.50	.29	.24	.21

KEYSTONE PC BOARD DISCONNECT TAB

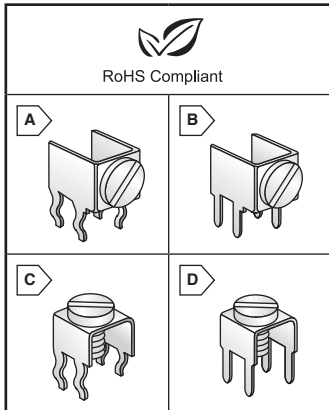
PC BOARD DISCONNECT TAB



Features:

- Bright brass plate
 - Mating tab portion designed to NEMA standards
 - Terminal dimension: .250" x .03"
- For quantities greater than listed, call for quote.

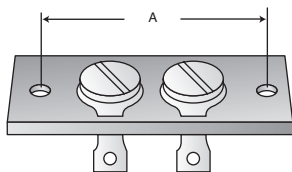
MOUSER STOCK NO.	Angle	Price Each			
		1	100	1000	5000
534-1256	90°	.21	.16	.11	.09
534-1280	45°	.21	.14	.10	.08



KEYSTONE BINDING POST STRIPS

- Material: PBE (Paper Base Electrical)
- MIL-1-24768/20 Type XP natural, Temp. 250°F max.

DIMENSIONS (in.)



For quantities greater than listed, call for quote.

MOUSER STOCK NO.	No. of Terminals	Dim. A (in.)	Price Each		
			1	10	100
534-4188	2	1.31	.89	.80	.717
534-4189	3	1.75	1.01	.85	.728
534-4190	4	2.19	1.40	1.16	1.05
534-4191	5	2.63	1.68	1.41	1.21

For quantities greater than listed, call for quote.

MOUSER STOCK NO.	No. of Terminals	Dim. A (in.)	Price Each		
			1	10	100
534-4192	6	3.06	1.84	1.54	1.39
534-4194	8	3.94	2.91	2.42	2.23
534-4196	10	4.81	3.50	3.08	2.70
534-4195	9	4.375	2.85	2.57	2.32

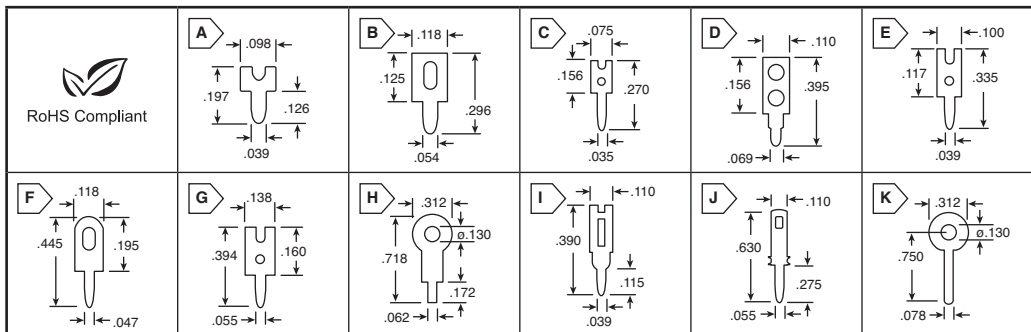
KEYSTONE TEST POINT TERMINALS

- Economical choice for reliable test terminations
- Material: thick brass matte tin plated

For quantities greater than listed, call for quote.

MOUSER STOCK NO.	Fig.	Price Each			
		1	100	500	1000
534-4950	A	.21	.11	.093	.072
534-1033	B	.15	.10	.09	.08
534-1031	C	.24	.12	.08	.07
534-1038	D	.26	.134	.092	.08
534-1035	E	.38	.175	.127	.111
534-1249	F	.15	.084	.073	.063
534-1039	G	.16	.09	.08	.06
534-680	H	.19	.11	.079	.059
534-1040	I	.16	.08	.07	.06
534-1041	J	.21	.13	.11	.09
534-4002	K	.16	.094	.073	.052

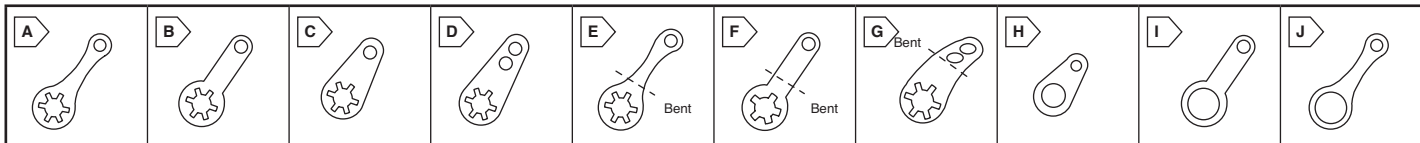
DIMENSIONS: in.



KEYSTONE TERMINAL SOLDER AND LOCKWASHER LUGS

- Matte tin thick brass for easy soldering
- Easy way of providing ground
- Built-in locking washer

RoHS Compliant



For quantities greater than listed, call for quote.

MOUSER STOCK NO.	Fig.	Dimensions: in.			Screw Sz (B)	Price Each		
		Length	A	Thick		1	100	1000
534-903	A	7/8	3/32	.018	4	.21	.14	.06
534-904	A	7/8	3/32	.018	6	.21	.14	.06
534-905	A	7/8	3/32	.018	8	.21	.14	.09
534-909	B	47/64	3/32	.018	4	.21	.14	.10
534-916	B	47/64	3/32	.018	6	.21	.14	.06
534-917	B	47/64	3/32	.018	8	.21	.145	.093
534-908	C	5/8	3/32	.018	4	.21	.14	.09
534-914	C	5/8	3/32	.018	6	.21	.14	.06
534-915	C	5/8	3/32	.018	8	.21	.14	.06
534-910	D	23/32	3/32	.018	4	.21	.14	.06
534-918	D	23/32	3/32	.018	6	.21	.14	.06
534-906	D	23/32	3/32	.018	8	.22	.147	.094
534-7317	E	13/16	3/32	.018	4	.21	.14	.10
534-7318	E	13/16	3/32	.018	6	.21	.14	.10
534-7319	E	13/16	3/32	.018	8	.21	.14	.10



* Non-locking

For quantities greater than listed, call for quote.

MOUSER STOCK NO.	Fig.	Dimensions: in.			Screw Sz (B)	Price Each		
		Length	A	Thick		1	100	1000
534-7314	F	23/32	3/32	.018	4	.21	.14	.06
534-7315	F	23/32	3/32	.018	6	.21	.14	.06
534-7316	F	23/32	3/32	.018	8	.22	.149	.096
534-7311	G	41/64	3/32	.018	4	.21	.14	.06
534-7312	G	41/64	3/32	.018	6	.21	.14	.06
534-7313	G	41/64	3/32	.018	8	.21	.14	.06
* 534-7328	H	17/32	.076	.015	4	.21	.14	.09
* 534-7329	H	17/32	.076	.015	6	.21	.14	.06
* 534-7330	H	17/32	.076	.015	8	.21	.14	.06
534-7325	I	11/16	5/64	.020	4	.21	.14	.06
534-7326	I	11/16	5/64	.020	6	.22	.147	.063
534-7327	I	11/16	5/64	.020	8	.21	.14	.06
534-7333	J	7/8	3/32	.020	8	.21	.14	.08
534-4004	H	.515	.093	.016	-	.17	.119	.087