

KEYSTONE Terminals and 9V Battery Snaps



KEYSTONE PC QUICK-FIT TERMINALS

Specifications:

- Material type: Brass
- Material finish: Tin or bright

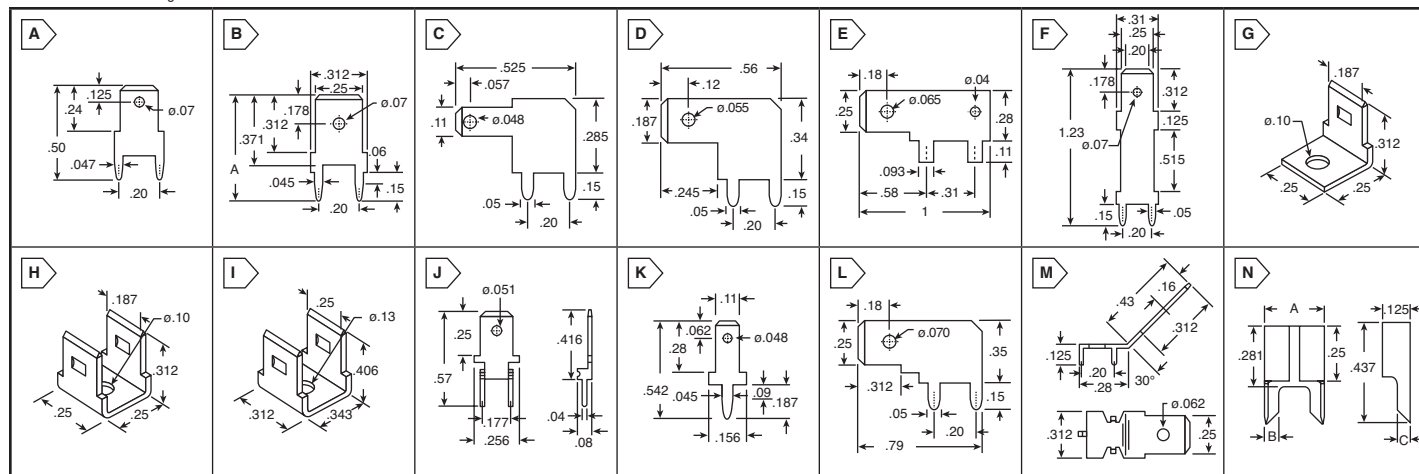


* Now UL Recognized



RoHS Compliant

DIMENSIONS: in.



For quantities greater than listed, call for quote.

MOUSER STOCK NO.	Fig.	Tab Size (In.)	Description	Finish	Price Each		
					1	100	500
534-1212	A	.187	PCB straight terminal, .032" thick	Tin	.12	.08	.06
534-1285	A	.187	PCB straight terminal, .020" thick	Tin	.08	.06	.05
534-1213	A	.205	PCB straight terminal, .032" thick	Tin	.21	.11	.08
534-1286	A	.205	PCB straight terminal, .020" thick	Tin	.09	.06	.05
534-1289	B	.250	PCB straight terminal, Dim. A = .780	Tin	.14	.089	.077
534-1287	B	.250	PCB straight terminal, Dim. A = .552	Tin	.10	.09	.07
534-1287-ST	B	.250	PCB straight terminal, Dim. A = .552	Tin	.18	.11	.08
534-1289-ST	B	.250	PCB straight terminal, Dim. A = .710	Tin	.16	.11	.08
534-4903	C	.110	PCB right angle terminal, .020" thick	Tin	.29	.149	.128
534-4906	C	.110	PCB right angle terminal, .032" thick	Tin	.27	.15	.127
534-4904	D	.187	PCB right angle terminal, .020" thick	Tin	.28	.14	.13
534-4907	D	.187	PCB right angle terminal, .032" thick	Tin	.27	.17	.13
534-1265	E	.250	PCB right angle terminal	Tin	.36	.18	.13
534-1281	F	.250	PCB tall terminal	Tin	.28	.22	.15
534-1261	G	.187	Single tab rivet type terminal	Bright	.28	.21	.13
534-1262	H	.187	Dual tab rivet type terminal	Bright	.53	.277	.181

For quantities greater than listed, call for quote.

MOUSER STOCK NO.	Fig.	Tab Size (In.)	Description	Finish	Price Each		
					1	100	500
534-1257	I	.250	Dual tab rivet type terminal	Bright	.20	.12	.09
534-2003	I	.110	Dual tab rivet type terminal	Bright	.28	.136	.119
534-4900	J	.187	Male sturdi-mount terminal	Tin	.15	.115	.083
534-4901	J	.250	Male sturdi-mount terminal	Tin	.17	.11	.10
534-4902	J	.250	Male sturdi-mount terminal	Tin	.14	.079	.069
534-1267	K	.110	Male single point terminal	Tin	.10	.08	.06
534-1211	K	.110	Male single point terminal	Tin	.15	.13	.08
534-4966	L	.250	PCB right angle terminal, .590" wide	Tin	.16	.08	.07
534-1266	L	.250	PCB right angle terminal, .789" wide	Tin	.18	.14	.11
534-4908	M	.250	PCB right angle terminal	Tin	.39	.21	.187

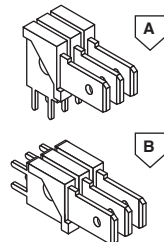
Female

For quantities greater than listed, call for quote.

* 534-3525	N	.205	Dim.A: .271; Dim.B: .075; Dim.C: .060	Tin	.28	.20	.12
* 534-3528	N	.250	Dim.A: .291; Dim.B: .090; Dim.C: .050	Tin	.20	.12	.10

Terminals
Keystone

KEYSTONE PC QUICK-FIT MALE STURDI-MOUNT HEADERS



Steel

For quantities greater than listed, call for quote.

Horizontal Headers		Vertical Headers		No. of Tabs	Price Each			
MOUSER STOCK NO.	Fig.	MOUSER STOCK NO.	Fig.		1	100	500	1000
534-7822	A	534-7832	B	2	1.22	2.24	1.48	.944
534-7824	A	534-7834	B	4	1.73	2.24	1.48	.944
534-7825	A	534-7835	B	5	2.81	2.24	1.48	.944
534-7826	A	534-7836	B	6	2.89	2.24	1.48	.944

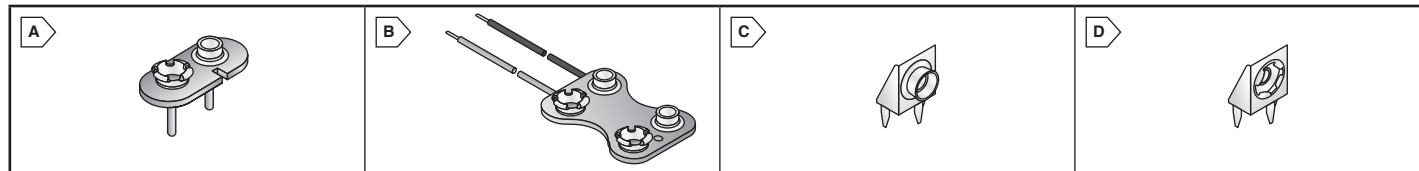
Brass

For quantities greater than listed, call for quote.

Horizontal Headers		Vertical Headers		No. of Tabs	Price Each			
MOUSER STOCK NO.	Fig.	MOUSER STOCK NO.	Fig.		1	100	500	1000
534-7802	A	534-7812	B	2	2.06	3.28	2.18	1.37
534-7803	A	534-7813	B	3	2.88	3.28	2.18	1.37
534-7804	A	534-7814	B	4	2.62	3.28	2.18	1.37
534-7806	A	534-7816	B	6	4.02	3.28	2.18	1.37



RoHS Compliant



KEYSTONE "9 VOLT" PC CONNECTOR

- One piece construction
- Wave solderable
- Anti-wicking design



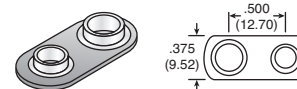
RoHS Compliant

For quantities greater than listed, call for quote.

MOUSER STOCK NO.	Fig.	Description	Price Each			
			1	10	100	500
534-968	A	9V PC connector, with PC pins	.77	.65	.61	.53
534-68	A	9V PC connector, w/o PC pins	.34	.315	.283	.261
534-227	B	Parallel 9V dual battery snap	1.89	1.58	1.43	1.26
534-635	C	9V PCB snap-ons, male, off board	.42	.38	.25	.20
534-593	C	9V PCB snap-ons, male, on board	.47	.256	.255	.21
534-636	D	9V PCB snap-ons, female, off board	.60	.46	.30	.25
534-594	D	9V PCB snap-ons, female, on board	.34	.32	.278	.246

KEYSTONE "9 VOLT" PROTECTIVE BATTERY CAP

- Protects 9 volt batteries and battery packs when not in use
- Shields the battery contacts and reduces the potential of a short circuit between poles
- Protects the battery contacts from damage due to dust, dirt, and contamination
- Impact resistant polypropylene, black



RoHS Compliant

DIMENSIONS: in. (mm)

For quantities greater than listed, call for quote.

MOUSER STOCK NO.	Description	Price Each			
		1	100	500	1000
534-96	Protective battery cap	.25	.192	.128	.096