

MILL-MAX In-line Sockets and Headers



1.25MM/.050" INTERCONNECTS

- May be cut to length
- Sockets: 200µ" Tin plated sleeve/30µ" Gold plated contact
- Headers: 10µ" Gold Plated
- High temp insulators, for all soldering operations

- Tail Type: Solder
- .016" Diameter Pins
- Voltage: 3A

Plating Code	Shell Plating	Inner Contact Plating
10	10µ" Gold	- - -
43	200µ" Tin (matte finish)	30µ" Gold
93	200µ" Tin/Lead	30µ" Gold



Single Row * Not RoHS Compliant For quantities greater than listed, call for quote.

MOUSER STOCK NO.	Mill-Max Part No.	Fig.	Description	Tail Type	No. of Cont.	Price Each		
						1	10	100
575-500101	850-10-050-10-001000	A	Straight Header	Solder	50	8.03	6.80	5.56
* 575-501101	851-93-050-10-001000	B	Straight Socket	Solder	50	10.65	9.01	7.37
575-8514305010	851-43-050-10-001000	B	Straight Socket	Solder	50	11.21	9.49	7.76
575-500201	850-10-050-20-001000	C	Rt. Angle Header	Solder	50	20.64	17.46	14.28
* 575-501201	851-93-050-20-001000	D	Rt. Angle Socket	Solder	50	13.98	11.83	9.68
575-8514305020	851-43-050-20-001000	D	Rt. Angle Socket	Solder	50	14.81	12.52	10.25
575-500301	850-10-050-30-001000	E	Surf. Mnt. Header	Solder	50	13.09	11.34	9.16
* 575-501301	851-93-050-30-001000	F	Surf. Mnt. Socket	Solder	50	28.85	25.01	20.18
575-8514305030	851-43-050-30-001000	F	Surf. Mnt. Socket	Solder	50	30.10	26.08	21.05

Double Row For quantities greater than listed, call for quote.

MOUSER STOCK NO.	Mill-Max Part No.	Fig.	Description	Tail Type	No. of Cont.	Price Each		
						1	10	100
575-002101	852-10-100-10-001000	G	Straight Header	Solder	2x50	14.94	12.64	10.34
* 575-003101	853-93-100-10-001000	H	Straight Socket	Solder	2x50	19.83	16.78	13.72
575-8534310010	853-43-100-10-001000	H	Straight Socket	Solder	2x50	20.88	17.66	14.45
575-002201	852-10-100-20-001000	I	Rt. Angle Header	Solder	2x50	12.77	11.80	9.89
* 575-003201	853-93-100-20-001000	J	Rt. Angle Socket	Solder	2x50	13.51	12.71	11.52
575-8534310020	853-43-100-20-001000	J	Rt. Angle Socket	Solder	2x50	45.73	38.69	31.65
575-002301	852-10-100-30-001000	K	Surf. Mnt. Header	Solder	2x50	16.82	14.57	11.77

1.78MM/.070" INTERCONNECTS



Single Row For quantities greater than listed, call for quote.

MOUSER STOCK NO.	Mill-Max Part No.	Fig.	Description	Tail Type	No. of Cont.	Price Each		
						1	10	25
575-8701002120000000	870-10-021-20-001000	L	Rt. Angle Header	Solder	21	7.81	6.61	6.31
575-8714302120000000	871-43-021-20-001000	M	Rt. Angle Socket	Solder	21	14.49	13.21	12.58

2.00MM/.079" INTERCONNECTS

- May be cut to length
- Sockets: 200µ" Tin plated sleeve/30µ" Gold plated contact
- Headers: 10µ" Gold Plated
- High temp insulators, for all soldering operations
- Tail Type: Solder
- .019" Diameter Pins



Single Row * Not RoHS Compliant For quantities greater than listed, call for quote.

MOUSER STOCK NO.	Mill-Max Part No.	Fig.	Description	Tail Type	No. of Cont.	Price Each		
						1	10	100
575-205030	830-10-050-10-001000	N	Straight Header	Solder	50	9.32	7.88	6.45
* 575-205031	831-93-050-10-001000	O	Straight Socket	Solder	50	6.76	5.72	4.42
575-8314305010	831-43-050-10-001000	O	Straight Socket	Solder	50	6.96	5.88	5.08
* 575-205831	831-93-050-30-001000	P	Surf. Mnt. Socket	Solder	50	24.40	21.13	17.06
575-8314305030	831-43-050-30-001000	P	Surf. Mnt. Socket	Solder	50	9.75	8.70	7.03

Double Row For quantities greater than listed, call for quote.

MOUSER STOCK NO.	Mill-Max Part No.	Fig.	Description	Tail Type	No. of Cont.	Price Each		
						1	10	100
575-200032	832-10-100-10-001000	Q	Straight Header	Solder	2x50	17.34	14.67	12.00
575-8334310010	833-43-100-10-001000	R	Straight Socket	Solder	2x50	11.33	10.13	8.20
575-200832	832-10-100-30-001000	S	Surf. Mnt. Header	Solder	2x50	24.10	20.19	16.74

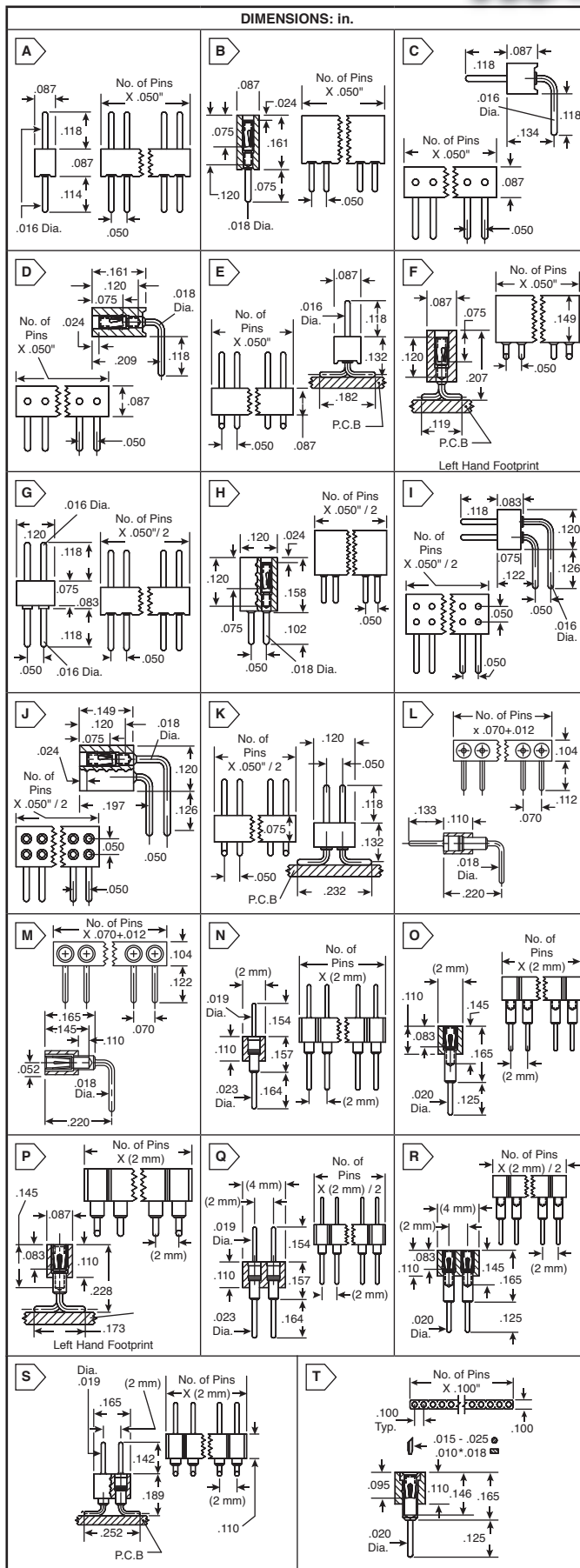
100" SINGLE-IN-LINE SOCKETS

- Solder tail, single row
- Contact: 30µ" Gold
- Sleeve: 30µ" Gold or 200µ" Tin
- High-Rel 4-finger contacts are rated at 3A
- Sockets accept .015-.025" dia. pins and standard IC leads



* Not RoHS Compliant For quantities greater than listed, call for quote.

MOUSER STOCK NO.	Mill-Max Part No.	Fig.	No. of Contacts	Length (in.)	Sleeve Plating	Price Each		
						1	10	100
* 575-193164	310-93-164-41-001000	T	64	6.4	Tin	5.76	5.22	4.30
575-31043164	310-43-164-41-001000	T	64	6.4	Tin	8.08	7.22	5.95
575-113164	310-13-164-41-001000	T	64	6.4	Gold	9.62	8.59	7.07



Sockets

Mill-Max