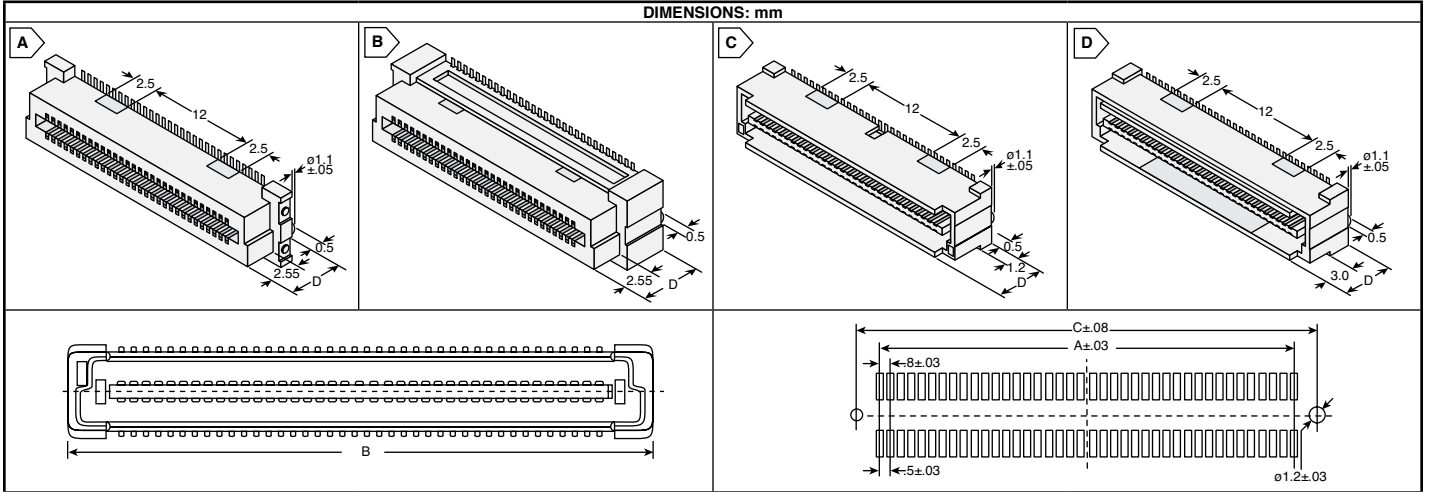


TE 0.80mm Free Height Connectors



RoHS Compliant This product is RoHS compliant.



0.80MM FREE HEIGHT CONNECTORS FOR PARALLEL BOARD STACKING

TE 0.8mm FH surface mount connectors are designed for parallel board stacking applications using subminiature connectors to meet today's electronic industry requirements for high density packaging. It is possible to save more than 50% of the required board space when compared to conventional 1.27 [050] centerline connectors.

Features:

- Board stacking heights from 5mm [197] to 16mm [630] (in 1mm [039] increments)
- Surface mount solder leads permit fast assembly operation
- UL File No. E28476

Applications:

- Notebook PCs
- Pen Pads
- Cellular Telephones

Specifications:

- Voltage Rating: 100 VAC
- Current Rating: 0.5 ampere
- Contact Resistance: 30 milliohms max.(initial)
- Dielectric Withstanding Voltage: 500 VAC (1 minute)
- Operating Temperature: -40°C to +85°C (including terminal temp rise)
- Housing: High temperature thermoplastic, natural color, UL94V-0



Vertical Receptacles

Features:

- Contacts: Beryllium copper duplex plated 0.00020 [0.00008] min. gold contact area, 0.00100 [0.00039] min. tin on solder area, with entire contact underplated 0.00130 [0.00051] min. nickel
- Preloaded with unique bellows-type spring contacts for reliable electrical connection with plugs
- Mates with Plugs-Series 177984, 179029, 179030 and 179031

For quantities greater than listed, call for quote.

MOUSER STOCK NO.	TE Part No.	Fig.	No. of Positions	Dimensions: mm (in.)				Price Each			
				A	B	C	D	1	25	50	100
5mm Receptacles for 5, 6, 7 and 8mm Stacking Heights											
571-5177983-1	5177983-1	A	40	15.20 (.598)	21.80 (.858)	20.20 (.795)	3.75 (1.48)	2.09	1.87	1.76	1.65
571-5177983-2	5177983-2	A	60	23.20 (.913)	29.80 (1.173)	28.20 (1.110)	3.75 (1.48)	5.09	4.79	4.18	3.82
571-5177983-3	5177983-3	A	80	31.20 (1.228)	37.80 (1.488)	36.20 (1.425)	3.75 (1.48)	3.97	3.62	3.37	3.21
571-5177983-4	5177983-4	A	100	39.20 (1.543)	45.80 (1.803)	44.20 (1.740)	3.75 (1.48)	5.98	5.41	5.04	4.59
571-5177983-5	5177983-5	A	120	47.20 (1.858)	53.80 (2.118)	52.20 (2.055)	3.75 (1.48)	6.84	6.25	5.76	5.34
571-5177983-6	5177983-6	A	140	55.20 (2.173)	61.80 (2.433)	60.20 (2.370)	3.75 (1.48)	5.94	5.44	4.91	4.49
9mm Receptacles for 9, 10, 11 and 12mm Stacking Heights											
571-5-5179009-5	5-5179009-5	B	120	47.20 (1.858)	53.80 (2.118)	52.20 (2.055)	7.75 (.305)	6.53	5.88	5.55	5.22
13mm Receptacles for 13, 14, 15 and 16mm Stacking Heights											
571-5-5179010-1	5-5179010-1	B	40	15.20 (.598)	21.80 (.858)	20.20 (.795)	11.75 (.463)	2.63	2.39	2.18	1.99
571-5-5179010-2	5-5179010-2	B	60	23.20 (.913)	29.80 (1.173)	28.20 (1.110)	11.75 (.463)	6.78	6.57	6.11	5.60
571-5-5179010-3	5-5179010-3	B	80	31.20 (1.228)	37.80 (1.488)	36.20 (1.425)	11.75 (.463)	4.44	3.99	3.78	3.55
571-5-5179010-4	5-5179010-4	B	100	39.20 (1.543)	45.80 (1.803)	44.20 (1.740)	11.75 (.463)	5.91	5.37	5.00	4.74
571-5-5179010-5	5-5179010-5	B	120	47.20 (1.858)	53.80 (2.118)	52.20 (2.055)	11.75 (.463)	7.93	7.14	6.74	6.34
571-5-5179010-6	5-5179010-6	B	140	55.20 (2.173)	61.80 (2.433)	60.20 (2.370)	11.75 (.463)	6.91	6.28	5.85	5.55

Vertical Plugs

Features:

- Contacts: Brass, duplex plated 0.00020" min gold on contact area, 0.00100" min. tin on solder area, with entire contact underplated 0.00130" min. nickel
- Mates with Receptacles Series 177983, 179009 and 179010

5mm Plugs for 5,9 and 13mm Stacking Heights											
571-5177984-1	5177984-1	C	40	15.20 (.598)	21.80 (.858)	20.20 (.795)	4.60 (.181)	2.70	2.67	2.21	2.03
571-5177984-3	5177984-3	C	80	31.20 (1.228)	37.80 (1.488)	36.20 (1.425)	4.60 (.181)	3.10	2.86	2.72	2.54
571-5177984-5	5177984-5	C	120	47.20 (1.858)	53.80 (2.118)	52.20 (2.055)	4.60 (.181)	4.90	4.66	4.26	4.01
571-5177984-6	5177984-6	C	140	55.20 (2.173)	61.80 (2.433)	60.20 (2.370)	4.60 (.181)	7.03	6.32	5.96	5.58
6mm Plugs for 6,10 and 14mm Stacking Heights											
571-5179029-1	5179029-1	D	40	15.20 (.598)	21.80 (.858)	20.20 (.795)	5.60 (.220)	2.42	2.17	2.05	1.93
571-5179029-2	5179029-2	D	60	23.20 (.913)	29.80 (1.173)	28.20 (1.110)	5.60 (.220)	5.78	5.40	5.22	5.04
571-5179029-4	5179029-4	D	100	39.20 (1.543)	45.80 (1.803)	44.20 (1.740)	5.60 (.220)	5.69	5.46	5.22	5.06
571-5179029-5	5179029-5	D	120	47.20 (1.858)	53.80 (2.118)	52.20 (2.055)	5.60 (.220)	6.16	5.59	5.20	4.93
571-5179029-6	5179029-6	D	140	55.20 (2.173)	61.80 (2.433)	60.20 (2.370)	5.60 (.220)	7.10	6.38	6.02	5.67
7mm Plugs for 7,11 and 15mm Stacking Heights											
571-5179030-5	5179030-5	D	120	47.20 (1.858)	53.80 (2.118)	52.20 (2.055)	6.60 (.260)	5.71	5.13	4.85	4.55
8mm Plugs for 8,12 and 16mm Stacking Heights											
571-5179031-1	5179031-1	D	40	15.20 (.598)	21.80 (.858)	20.20 (.795)	7.60 (.300)	2.05	1.85	1.74	1.60
571-5179031-2	5179031-2	D	60	23.20 (.913)	29.80 (1.173)	28.20 (1.110)	7.60 (.300)	3.25	2.97	2.67	2.44
571-5179031-3	5179031-3	D	80	31.20 (1.228)	37.80 (1.488)	36.20 (1.425)	7.60 (.300)	4.88	4.43	4.12	3.91
571-5179031-4	5179031-4	D	100	39.20 (1.543)	45.80 (1.803)	44.20 (1.740)	7.60 (.300)	6.25	5.68	5.28	5.02
571-5179031-5	5179031-5	D	120	47.20 (1.858)	53.80 (2.118)	52.20 (2.055)	7.60 (.300)	7.45	6.79	5.62	5.52
571-5179031-6	5179031-6	D	140	55.20 (2.173)	61.80 (2.433)	60.20 (2.370)	7.60 (.300)	5.90	5.65	4.85	4.63