

TE MATE-N-LOK® Connectors



COMMERCIAL MATE-N-LOK® PC BOARD MOUNT CONNECTORS

Vertical Pin Headers

Features:

- Fully polarized UL94V-2 housings
- Integral design locking devices
- Contacts: Pre-tin plated phosphor bronze
- Housing: Nylon



For quantities greater than listed, call for quote.

MOUSER STOCK NO.	TE Part No.	Fig.	No. of Contacts	Housing Type	Mates With	Price Each		
						1	50	100
For Use With .062" PCB Thickness, Standard Tail								
571-3505391	350539-1	A	2	In-line, positive lock	571-14807200	1.10	.876	.837
571-3502091	350209-1	B	2	In-line, detent lock	571-14803180	.83	.66	.63
571-3505411	350541-1	A	3	In-line, positive lock	571-14807210	1.38	1.09	1.04
571-3502101	350210-1	B	3	In-line, detent lock	571-14803030	1.08	.86	.79
571-3505431	350543-1	A	4	In-line, positive lock	571-14807220	1.75	1.61	1.45
571-3502111	350211-1	B	4	In-line, detent lock	571-14804240	1.10	.868	.812
571-13809990	1-380999-0	C	6	Dual row, positive lock	571-14802700	1.40	1.13	1.08
571-3502121	350212-1	C	8	Dual row, positive lock	571-14802830	1.49	1.29	1.16
571-13809910	1-380991-0	C	10	Dual row, positive lock	571-14802850	1.72	1.45	1.35
571-3502131	350213-1	C	12	Dual row, positive lock	571-14802870	2.05	1.81	1.73
571-3502141	350214-1	C	16	Dual row, positive lock	571-14804380	2.55	2.14	1.96
For Use With .125" PCB Thickness, Long Tail								
571-3504241	350424-1	B	4	In-line, detent lock	571-14804240	1.07	.915	.82

Vertical Socket Headers

- Housing: Nylon, UL94V-2
- Contacts: Phosphor bronze



For quantities greater than listed, call for quote.

MOUSER STOCK NO.	TE Part No.	No. of Contacts	Housing Type	Mates With	Price Each		
					1	50	100
571-7709971	770997-1	4	In-Line	571-14804260	1.79	1.39	1.36

Insulation Displacement Connectors (IDC)

- 4 Circuit, In-line
- Housing: Nylon, UL94V-2
- Mates with 571-14804260, 571-3502111, 571-3504241
- Contact: Phosphor bronze
- Finish: Pre-tin



For quantities greater than listed, call for quote.

MOUSER STOCK NO.	TE Part No.	Fig.	Housing Type	Wire Size AWG	Color	Price Each		
						1	50	100
571-7701564	770156-4	D	In-line version	20	Yellow	.71	.642	.581
571-7701563	770156-3	D	In-line version	18	Orange	.96	.86	.83

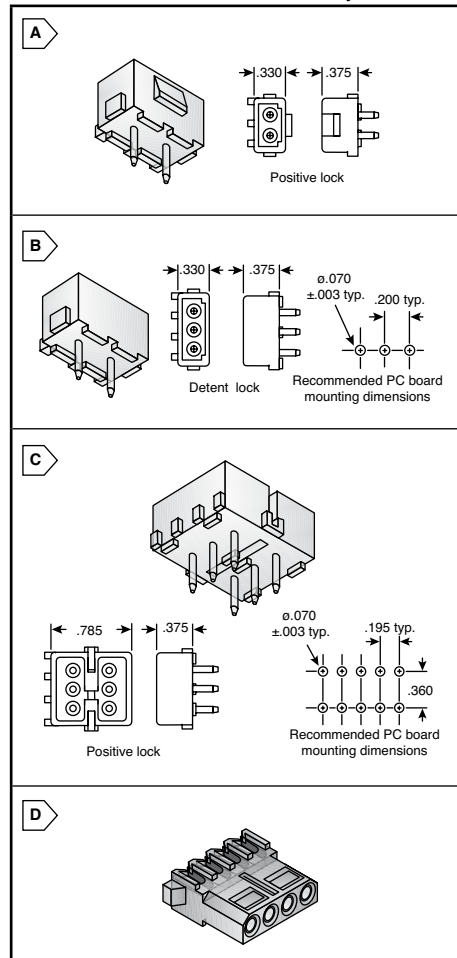
Dust Covers

- Housing: Polyester, white color, UL94V-2
- RoHS compliant per Tyco Electronics documentation



For quantities greater than listed, call for quote.

MOUSER STOCK NO.	TE Part No.	Description	Price Each		
			1	100	500
571-7702321	770232-1	For feed to wiring applications	.23	.116	.111



Rectangular Connectors TE Connectivity

UNIVERSAL MATE-N-LOK 2® CONNECTORS

TE MATE-N-LOK II Connectors offer the ultimate reliability in a softshell connector. They are designed for use where repair or replacement would be difficult. Available in 2-15 circuit sizes for free hanging or panel mount applications. Connectors consist of a front and rear housing section. Contacts are enclosed for shock protection. Terminals use "F" crimp termination.



Connectors

For quantities greater than listed, call for quote.

MOUSER STOCK NO.	TE Part No.	Fig.	No. of Contacts	Housing Type	Contact Material	Contact Plating	Price Each		
							1	50	100
571-7700171	770017-1	A	2	Pin	Brass	Tin	.85	.769	.735
571-7700181	770018-1	B	3	Pin	Brass	Tin	1.06	.84	.803
571-7700191	770019-1	B	4	Pin	Brass	Tin	1.20	.95	.909
571-7700201	770020-1	C	6	Pin	Brass	Tin	1.37	1.08	1.03
571-7700211	770021-1	D	9	Pin	Brass	Tin	1.35	1.10	1.05
571-7700221	770022-1	D	12	Pin	Brass	Tin	1.49	1.25	1.16
571-7700231	770023-1	D	15	Pin	Brass	Tin	1.88	1.52	1.45
571-7700241	770024-1	E	2	Socket	Brass	Tin	.99	.784	.75
571-7700251	770025-1	F	3	Socket	Brass	Tin	1.18	.932	.892
571-7700261	770026-1	F	4	Socket	Brass	Tin	1.12	1.01	.97
571-7700271	770027-1	G	6	Socket	Brass	Tin	1.34	1.06	1.01
571-7700281	770028-1	H	9	Socket	Brass	Tin	1.32	1.14	1.09
571-7700291	770029-1	H	12	Socket	Brass	Tin	1.46	1.18	1.13
571-7700301	770030-1	H	15	Socket	Brass	Tin	1.66	1.42	1.35

CONTACTS

Pin Contacts

For quantities greater than listed, call for quote.

MOUSER STOCK NO.	TE Part No.	Fig.	Wire AWG	I.D. Range (in.)	Contact Material	Contact Plating	Price Each		
							1	100	500
571-7702521	770252-1	I	24-18	.040 - .100	Brass	Tin	.25	.172	.15
571-7702501	770250-1	I	20-14	.060 - .130	Brass	Tin	.25	.172	.16
571-1-770250-0	1-770250-0	I	20-14	.060 - .130	Brass	Gold	1.17	.78	.68
571-7702481	770248-1	I	20-14	.130 - .200	Brass	Tin	.33	.226	.211
571-7702463	770246-3	I	12-10	.200 max.	Phos. bronze	Tin	.53	.36	.31

Socket Contacts

For quantities greater than listed, call for quote.

MOUSER STOCK NO.	TE Part No.	Fig.	Wire AWG	I.D. Range (in.)	Contact Material	Contact Plating	Price Each		
							1	100	500
571-7702533	770253-3	J	24-18	.040 - .100	Phos. bronze	Tin	.27	.18	.17
571-1-770253-0	1-770253-0	J	24-18	.040 - .100	Phos. bronze	Gold	1.25	1.10	1.02
571-7702513	770251-3	J	20-14	.060 - .130	Phos. bronze	Tin	.31	.209	.194
571-1-770251-0	1-770251-0	J	20-14	.060 - .130	Phos. bronze	Gold	1.92	1.29	1.12
571-7702493	770249-3	J	20-14	.130 - .200	Phos. bronze	Tin	.37	.26	.25

