

TE Mini-Universal MATE-N-LOK® and MATE-N-LOK2®



RoHS Compliant This product is RoHS compliant.

Features:

- Compact, durable housings
- Contacts accept wire size range 30-16AWG
- Fully polarized
- UL94V-0 flammability rated material

Specifications:

- Voltage rating: 600V AC or DC
- Current: 9.5A max. 9A Sealed
- Dielectric Withstanding
- Voltage: 1.5VAC



MINI-UNIVERSAL MATE-N-LOK® CONNECTORS

Plug Housings

For quantities greater than listed, call for quote.

MOUSER STOCK NO.	TE Part No.	Fig.	Number of Contacts	Description	Price Each		
					1	25	100
571-1721651	172165-1	A	2	In-line	.62	.558	.475
571-1721661	172166-1	A	3	In-line	.68	.618	.526
571-1721691	172169-1	A	9	Matrix	.78	.735	.674
571-1721701	172170-1	A	12	Matrix	.56	.545	.536
571-1721711	172171-1	A	15	Matrix	1.34	1.16	.955
571-172167-1	172167-1	A	4	Dual row	.71	.644	.549
571-1721681	172168-1	A	6	Dual row	.80	.761	.698
571-7705791	770579-1	A	8	Dual row	.57	.519	.371
571-770580-1	770580-1	A	10	Dual row	.61	.544	.521
571-770581-1	770581-1	A	12	Dual row	.66	.636	.609
571-7705821	770582-1	A	14	Dual row	1.37	1.16	1.06
571-7705831	770583-1	A	16	Dual row	1.10	1.03	.952
571-770584-1	770584-1	A	18	Dual row	1.79	1.51	1.38
571-7705851	770585-1	A	20	Dual row	2.01	1.71	1.56
571-770586-1	770586-1	A	22	Dual row	1.82	1.62	1.56
571-7705871	770587-1	A	24	Dual row	2.41	2.05	1.87

Cap Housings

For quantities greater than listed, call for quote.

MOUSER STOCK NO.	TE Part No.	Fig.	Number of Contacts	Description	Price Each		
					1	25	100
571-1722331	172233-1	B	2	In-line, free hanging	.68	.569	.485
571-1722341	172234-1	B	3	In-line, free hanging	.75	.635	.541
571-1721571	172157-1	B	2	In-line, panel mount	.63	.569	.485
571-1721581	172158-1	B	3	In-line, panel mount	.65	.63	.54
571-1721591	172159-1	B	4	Dual row	.80	.673	.573
571-1721601	172160-1	B	6	Dual row	.84	.694	.636
571-1721611	172161-1	B	9	Matrix	.77	.726	.665
571-1721621	172162-1	B	12	Matrix	.83	.689	.632

SEALED MINI-UNIVERSAL MATE-N-LOK® CONNECTORS

Plug Housings

For quantities greater than listed, call for quote.

MOUSER STOCK NO.	TE Part No.	Fig.	Number of Contacts	Description	Price Each		
					1	25	100
571-7948941	794894-1	C	2	In-line	.64	.576	.552
571-7948051	794805-1	C	4	Dual Row	.71	.644	.549
571-7948951	794895-1	C	6	Dual Row	.98	.91	.81
571-7948211	794821-1	C	8	Dual Row	.93	.918	.842
571-7947811	794781-1	C	10	Dual Row	1.21	.998	.915

Cap Housings

For quantities greater than listed, call for quote.

MOUSER STOCK NO.	TE Part No.	Fig.	Number of Contacts	Description	Price Each		
					1	25	100
571-7948961	794896-1	D	2	In-line	.72	.685	.628
571-7949391	794939-1	D	4	Dual Row	.94	.774	.71
571-7949401	794940-1	D	6	Dual Row	1.27	1.05	.965
571-7949411	794941-1	D	8	Dual Row	1.07	1.01	.926
571-7949421	794942-1	D	10	Dual Row	1.30	1.22	1.11

Seals

For quantities greater than listed, call for quote.

MOUSER STOCK NO.	TE Part No.	Fig.	Number of Contacts	Description	Price Each		
					1	25	100
571-7947722	794772-2	E	2	Interface Seal	.41	.37	.34
571-7947724	794772-4	E	4	Interface Seal	.50	.392	.322
571-7947726	794772-6	E	6	Interface Seal	.44	.37	.34
571-7947728	794772-8	E	8	Interface Seal	.48	.37	.34
571-17947720	1-794772-0	E	10	Interface Seal	.50	.398	.368
571-7949951	794995-1	F	-	Cavity Plug Seal	.30	.246	.184
571-7947581	794758-1	G	-	Cavity Wire Seal	.16	.15	.14

Keying Plug • UL94V-0

For quantities greater than listed, call for quote.

MOUSER STOCK NO.	TE Part No.	Fig.	Description	Price Each		
				1	25	100
571-1746701	174670-1	H	Keying Plug	.25	.15	.13

MATE-N-LOK® Pin Contacts

** For use with both sealed and unsealed connectors.

For quantities greater than listed, call for quote.

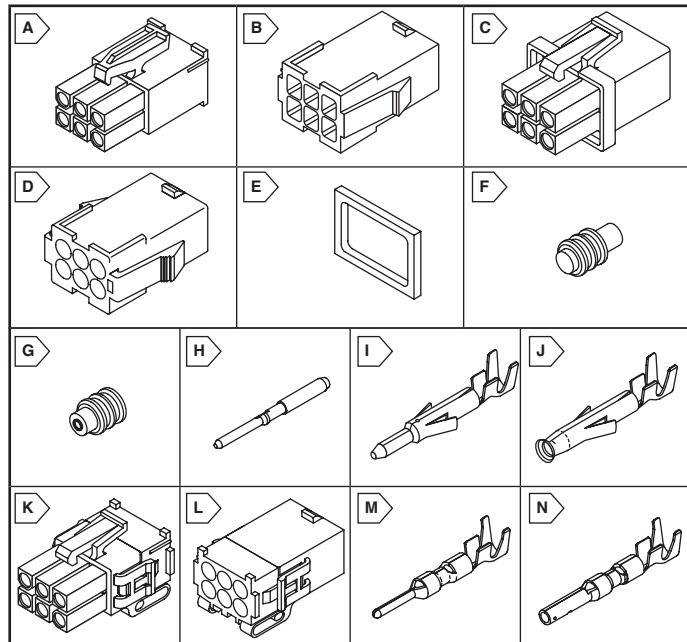
MOUSER STOCK NO.	TE Part No.	Fig.	Wire AWG	Finish	Price Each		
					1	100	500
571-794059-1	794059-1	I	30-26	Tin	.20	.13	.11
571-1-794059-0	1-794059-0	I	30-26	Gold	.43	.342	.31
571-7709851	770985-1	I	26-22	Tin	.17	.144	.122
571-1-770985-0	1-770985-0	I	26-22	Gold	.63	.452	.393
571-7709871	770987-1	I	22-18	Tin	.17	.122	.10
571-1-770987-0	1-770987-0	I	22-18	Gold	.63	.452	.393
571-1716381	171638-1	I	20-16	Tin	.17	.105	.087

MATE-N-LOK® Socket Contacts

** For use with both sealed and unsealed connectors.

For quantities greater than listed, call for quote.

MOUSER STOCK NO.	TE Part No.	Fig.	Wire AWG	Finish	Price Each		
					1	100	500
571-794058-1	794058-1	J	30-26	Tin	.20	.15	.12
571-770986-1	770986-1	J	26-22	Tin	.21	.151	.128
571-1-770986-0	1-770986-0	J	26-22	Gold	.59	.452	.393
571-770988-1	770988-1	J	22-18	Tin	.17	.122	.10
571-1-770988-0	1-770988-0	J	22-18	Gold	.59	.452	.393
571-1716391	171639-1	J	20-16	Tin	.12	.109	.09



MINI-UNIVERSAL MATE-N-LOK2® CONNECTORS

Features:

- Compact, durable housings
- Fully polarized

Specifications:

- Contacts accept wire size range 30-16AWG
- UL94V-0 flammability rated material
- Voltage rating: 600V AC or DC
- Dielectric Withstanding Voltage: 1.5VAC

Plug Housings

For quantities greater than listed, call for quote.

MOUSER STOCK NO.	TE Part No.	Fig.	Number of Contacts	Description	Price Each		
					1	25	100
571-794184-1	794184-1	K	2	In-line	1.10	1.04	.956
571-7941861	794186-1	K	3	In-line	.79	.684	.627
571-794188-1	794188-1	K	4	Dual row	.90	.75	.68
571-794190-1	794190-1	K	6	Dual row	1.01	.84	.76
571-794192-1	794192-1	K	8	Dual row	1.48	1.25	1.11
571-794196-1	794196-1	K	10	Dual row	1.29	1.15	1.05
571-794198-1	794198-1	K	12	Dual row	1.13	.978	.727
571-794202-1	794202-1	K	14	Dual row	1.16	1.04	.746
571-794206-1	794206-1	K	16	Dual row	3.52	3.09	2.81
571-794208-1	794208-1	K	18	Dual row	1.84	1.65	1.22
571-794210-1	794210-1	K	20	Dual row	1.78	1.62	1.47
571-794212-1	794212-1	K	22	Dual row	2.06	1.86	1.36
571-794214-1	794214-1	K	24	Dual row	1.96	1.77	1.42
571-794194-1	794194-1	K	9	Matrix	2.30	1.96	1.78
571-794200-1	794200-1	K	12	Matrix	1.26	1.08	.823
571-794204-1	794204-1	K	15	Matrix	1.93	1.74	1.22

Cap Housings

For quantities greater than listed, call for quote.

MOUSER STOCK NO.	TE Part No.	Fig.	Number of Contacts	Description	Price Each		
					1	100	500
571-794185-1	794185-1	L	2	In-line	1.18	1.16	1.06
571-794187-1	794187-1	L	3	In-line	.89	.77	.55
571-7941891	794189-1	L	4	Dual row	.67	.628	.463
571-794191-1	794191-1	L	6	Dual row	1.76	1.59	1.20
571-794193-1	794193-1	L	8	Dual row	1.25	1.03	.94
571-794197-1	794197-1	L	10	Dual row	1.15	1.03	.733
571-794199-1	794199-1	L	12	Dual row	.90	.783	.701
571-794203-1	794203-1	L	14	Dual row	1.16	1.04	.745
571-794207-1	794207-1	L	16	Dual row	1.53	1.37	1.24
571-794209-1	794209-1	L	18	Dual row	1.72	1.55	1.35
571-794211-1	794211-1	L	20	Dual row	3.04	2.67	2.43
571-794213-1	794213-1	L	22	Dual row	2.27	2.05	1.89
571-794215-1	794215-1	L	24	Dual row	2.58	2.32	1.67
571-794195-1	794195-1	L	9	Matrix	2.00	1.73	1.27
571-794201-1	794201-1	L	12	Matrix	2.71	2.45	1.69
571-794205-1	794205-1	L	15	Matrix	1.32	1.09	.885

MATE-N-LOK2® Pin Contacts

For quantities greater than listed, call for quote.

MOUSER STOCK NO.	TE Part No.	Fig.	Wire AWG	Finish	Price Each		
					1	100	500
571-1-794224-0	1-794224-0	M	30-26	Gold	.48	.333	.302
571-794226-1	794226-1	M	26-22	Tin	.15	.109	.098
571-1-794226-0	1-794226-0	M	26-22	Gold	.55	.35	.309
571-794228-1	794228-1	M	22-18	Tin	.25	.12	.10
571-1-794228-0	1-794228-0	M	22-18	Gold	.53	.369	.326
571-794230-1	794230-1	M	20-16	Tin	.45	.32	.27

MATE-N-LOK2® Socket Contacts

For quantities greater than listed, call for quote.

MOUSER STOCK NO.	TE Part No.	Fig.	Wire AWG	Finish	Price Each		
					1	100	500
571-794225-1	794225-1	N	30-26	Tin	.14	.108	.097
571-1-794225-0	1-794225-0	N	30-26	Gold	.50	.352	.319
571-794227-1	794227-1	N	26-22	Tin	.15	.109	.098
571-1-794227-0	1-794227-0	N	26-22	Gold	.55	.473	.412
571-794229-1	794229-1	N	22-18	Tin	.17	.159	.134
571-1-794229-0	1-794229-0	N	22-18	Gold	.66	.47	.41
571-794231-1	794231-1	N	20-16	Tin	.44	.343	.298
571-1-794231-0	1-794231-0	N	20-16	Gold	.51	.367	.328