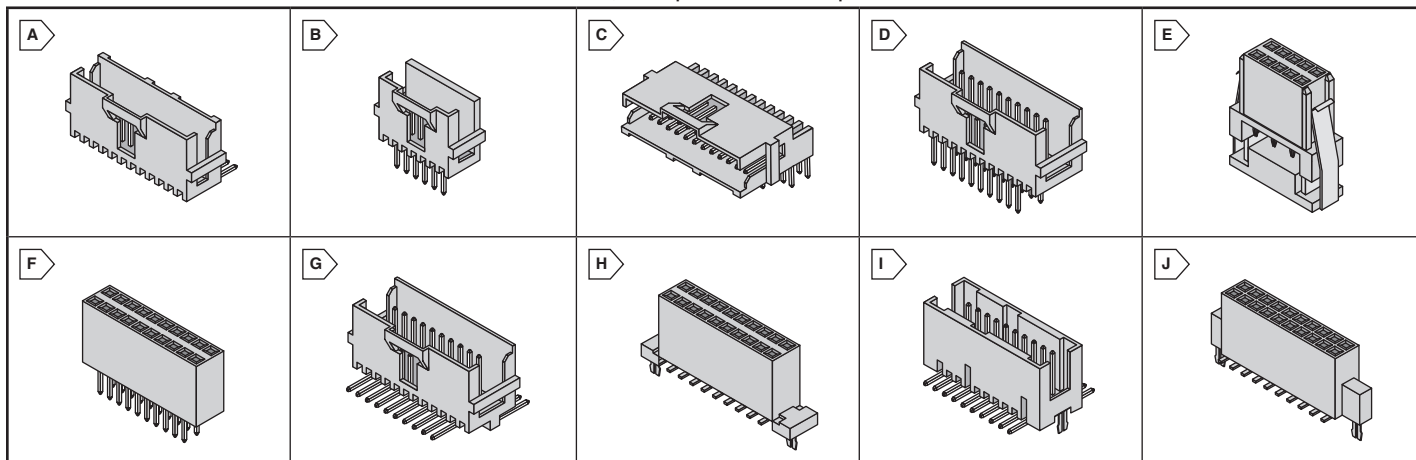


TE System 50 Connectors

RoHS Compliant This product is RoHS compliant.



CABLE TO BOARD CONNECTORS

Specifications:

- Housing: Thermoplastic, UL94V-0 rated
- Latches: Stainless Steel
- Contacts: Gold over Nickel

Headers, Single Row, Protected

For quantities greater than listed, call for quote.

MOUSER STOCK NO.	TE Part No.	Fig.	Number of Positions	Price Each		
				1	25	100
Right Angle						
571-5-104074-7	5-104074-7	A	4	2.07	1.85	1.47
571-5-104074-8	5-104074-8	A	6	2.10	1.88	1.49
571-6-104074-0	6-104074-0	A	8	1.95	1.87	1.58
571-5-104074-1	5-104074-1	A	10	3.57	3.20	2.53
571-6-104074-1	6-104074-1	A	12	3.09	2.78	2.19
571-5-104074-3	5-104074-3	A	15	4.20	3.77	3.00
571-5-104074-4	5-104074-4	A	20	5.09	4.56	3.69
Vertical						
571-5-104071-7	5-104071-7	B	4	.80	.776	.622
571-5-104071-8	5-104071-8	B	6	1.44	1.29	1.02
571-6-104071-0	6-104071-0	B	8	1.49	1.33	1.26
571-5-104071-1	5-104071-1	B	10	1.92	1.70	1.46
571-6-104071-1	6-104071-1	B	12	2.67	2.41	1.93
571-5-104071-3	5-104071-3	B	15	2.62	2.20	2.06
571-5-104071-4	5-104071-4	B	20	4.65	4.18	3.33

CABLE TO BOARD CONNECTORS (CONT.)

Specifications:

- Housing: Thermoplastic, UL94V-0 rated
- Latches: Stainless Steel
- Contacts: Gold over Nickel

Receptacles, Dual Row (Cont.)

For quantities greater than listed, call for quote.

MOUSER STOCK NO.	TE Part No.	Fig.	Number of Positions	Price Each		
				1	25	100
Vertical						
571-5-104078-1	5-104078-1	F	20	3.62	3.27	2.30
571-5-104078-9	5-104078-9	F	24	4.26	3.71	2.90
571-5-104078-4	5-104078-4	F	30	5.83	5.27	3.73
571-5-104078-2	5-104078-2	F	40	7.29	6.60	4.77
571-5-104078-6	5-104078-6	F	60	9.53	8.44	7.28

BOARD TO BOARD SMT CONNECTORS

Specifications:

- Housing: Thermoplastic, UL94V-0 rated
- Vertical, Dual Row

.050" x .100" Centerline

For quantities greater than listed, call for quote.

MOUSER STOCK NO.	TE Part No.	Fig.	Number of Positions	Price Each		
				1	25	100
Headers, Vertical Dual Row						
571-5-104549-2	5-104549-2	G	20	3.85	3.49	2.78
571-5-104549-5	5-104549-5	G	30	6.00	5.40	4.30
571-5-104549-6	5-104549-6	G	40	7.77	6.99	6.23
571-5-104549-7	5-104549-7	G	50	10.96	9.85	7.84
571-6-104549-0	6-104549-0	G	100	17.91	14.92	12.79
Receptacles, Vertical Dual Row						
571-5-104550-4	5-104550-4	H	30	7.87	7.12	5.04
571-5-104550-5	5-104550-5	H	40	6.27	5.53	4.81

.050" x .050"

For quantities greater than listed, call for quote.

MOUSER STOCK NO.	TE Part No.	Fig.	Mating Height (In.)	No. of Positions	Price Each		
					1	25	100
Headers, Vertical Dual Row							
571-5-104655-3	5-104655-3	I	.250	20	4.96	4.45	3.57
571-5-104655-6	5-104655-6	I	.250	50	7.41	6.67	5.31
571-5-104655-8	5-104655-8	I	.250	70	8.41	7.56	6.11
571-6-104655-1	6-104655-1	I	.250	100	11.06	9.95	8.85
571-5-104656-2	5-104656-2	I	.320	20	4.31	3.87	3.11
571-5-104656-3	5-104656-3	I	.320	30	8.79	7.91	6.29
571-5-104656-4	5-104656-4	I	.320	40	6.68	6.00	4.84
571-5-104656-5	5-104656-5	I	.320	50	7.43	6.67	5.38
571-5-104656-7	5-104656-7	I	.320	70	7.69	6.92	5.59
571-6-104656-0	6-104656-0	I	.320	100	11.08	9.97	8.04
571-5-104693-2	5-104693-2	I	.390	20	4.55	4.10	3.79
571-5-104693-5	5-104693-5	I	.390	50	7.29	6.55	5.29
571-5-104693-7	5-104693-7	I	.390	70	11.02	9.76	8.51
571-6-104693-0	6-104693-0	I	.390	100	7.35	7.26	6.00
Receptacles, Vertical Dual Row							
571-5-104652-1	5-104652-1	J	-	10	6.04	5.47	3.87
571-5-104652-2	5-104652-2	J	-	20	3.61	3.24	2.31
571-5-104652-3	5-104652-3	J	-	30	4.99	4.57	4.16
571-5-104652-5	5-104652-5	J	-	50	7.00	6.33	5.75
571-5-104652-6	5-104652-6	J	-	60	8.04	7.27	6.64
571-5-104652-7	5-104652-7	J	-	70	8.24	7.46	6.79
571-6-104652-0	6-104652-0	J	-	100	10.28	9.31	6.85

Headers, Dual Row, Protected

For quantities greater than listed, call for quote.

MOUSER STOCK NO.	TE Part No.	Fig.	Number of Positions	Price Each		
				1	25	100
Right Angle						
571-5-104069-4	5-104069-4	C	10	1.89	1.79	1.49
571-5-104069-1	5-104069-1	C	20	4.60	3.90	3.49
571-6-104069-2	6-104069-2	C	24	4.58	4.04	3.35
571-5-104069-5	5-104069-5	C	30	7.37	6.44	5.83
571-5-104069-6	5-104069-6	C	40	11.28	9.99	8.58
571-5-104069-2	5-104069-2	C	50	11.75	10.56	8.52
571-5-104069-7	5-104069-7	C	60	14.15	12.73	10.24
571-5-104069-3	5-104069-3	C	80	17.62	15.13	12.78
571-6-104069-7	6-104069-7	C	100	21.34	17.88	16.67
Vertical						
571-5-104068-1	5-104068-1	D	20	3.53	3.10	2.82
571-6-104068-1	6-104068-1	D	24	4.80	4.32	3.43
571-5-104068-3	5-104068-3	D	30	5.63	5.07	4.03
571-5-104068-4	5-104068-4	D	40	7.99	7.40	5.84
571-5-104068-5	5-104068-5	D	50	9.82	8.54	7.89
571-5-104068-6	5-104068-6	D	60	16.28	14.43	12.58
571-6-104068-6	6-104068-6	D	80	13.58	13.24	10.89
571-6-104068-7	6-104068-7	D	100	21.18	19.11	17.12

Receptacles, Dual Row

For quantities greater than listed, call for quote.

MOUSER STOCK NO.	TE Part No.	Fig.	Number of Positions	Price Each		
				1	25	100
IDC						
571-2-111196-5	2-111196-5	E	10	6.17	5.39	4.88
571-1-111196-8	1-111196-8	E	20	7.95	7.26	6.57
571-2-111196-8	2-111196-8	E	24	6.93	6.26	4.98
571-2-111196-9	2-111196-9	E	26	7.54	6.81	5.59
571-1-111196-9	1-111196-9	E	30	11.06	9.62	8.89
571-2-111196-0	2-111196-0	E	40	12.01	10.66	9.29
571-2-111196-1	2-111196-1	E	50	9.92	8.48	6.93
571-2-111196-2	2-111196-2	E	60	14.89	13.20	11.50
571-3-111196-3	3-111196-3	E	80	15.85	14.34	9.02
571-2-111196-4	2-111196-4	E	100	17.81	14.95	12.72