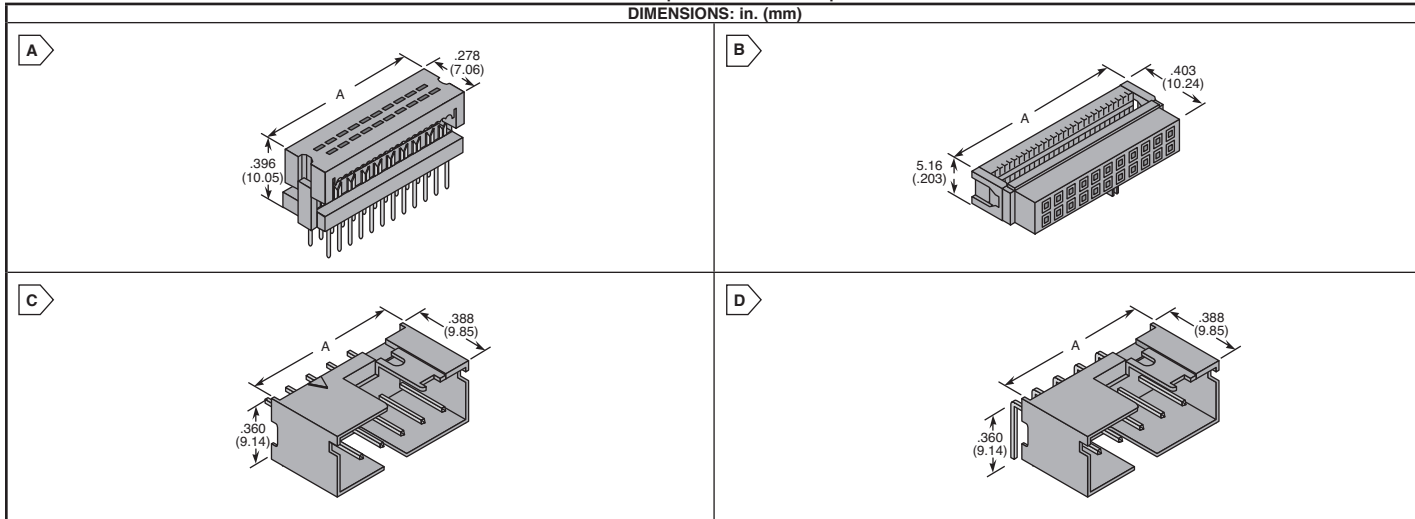


# TE Rectangular Connectors



RoHS Compliant This product is RoHS compliant.

DIMENSIONS: in. (mm)



## TE .050 CENTERLINE IDC DIP PLUGS

### Specifications:

- .100 x .100 Footprint
- Black thermoplastic, UL94V-0 rated
- Tin Plated



RoHS Compliant

For quantities greater than listed, call for quote.

MOUSER STOCK NO.	TE Part No.	Fig.	No. of Pos.	Dimension A in. (mm)	Price Each		
					1	10	100
571-2-746610-1	2-746610-1	A	10	0.68 (17.27)	2.31	1.73	1.31
571-2-746610-2	2-746610-2	A	14	0.88 (22.35)	2.32	1.76	1.34
571-1-746610-4	1-746610-4	A	16	0.98 (24.89)	2.48	1.89	1.45
571-1-746610-5	1-746610-5	A	20	1.18 (29.97)	2.72	2.06	1.57
571-2-746610-3	2-746610-3	A	24	1.38 (35.05)	2.14	1.33	1.17
571-1-746610-6	1-746610-6	A	26	1.48 (37.59)	2.82	2.13	1.63
571-1-746610-7	1-746610-7	A	30	1.68 (42.67)	3.09	2.75	2.33
571-1-746610-8	1-746610-8	A	34	1.88 (47.75)	3.10	1.52	1.28
571-1-746610-9	1-746610-9	A	40	2.18 (55.37)	3.49	2.64	2.02
571-2-746610-0	2-746610-0	A	50	2.68 (68.07)	3.80	2.87	2.20
571-2-746610-4	2-746610-4	A	60	3.18 (80.77)	4.14	3.13	2.40
571-2-746610-5	2-746610-5	A	64	3.38 (85.85)	3.53	1.86	1.78

## TE LOW PROFILE HEADERS (CONT.)

### Specifications:

- Center, Dual Polarizing Bar
- Black thermoplastic, UL94V-0 rated



RoHS Compliant

### Vertical Headers, 30µ" Gold

For quantities greater than listed, call for quote.

MOUSER STOCK NO.	TE Part No.	Fig.	No. of Pos.	Dimension A in. (mm)	Price Each		
					1	10	100
571-5103309-1	5103309-1	C	10	0.80 (20.32)	1.26	1.10	.93
571-5103309-2	5103309-2	C	14	1.00 (25.40)	1.82	1.65	1.41
571-5103309-3	5103309-3	C	16	1.10 (27.94)	2.05	1.86	1.59
571-5103309-5	5103309-5	C	20	1.30 (33.02)	2.31	1.96	1.79
571-5103309-6	5103309-6	C	26	1.60 (40.64)	2.53	2.32	2.10
571-5103309-7	5103309-7	C	34	2.00 (50.80)	3.03	2.91	2.42
571-5103309-8	5103309-8	C	40	2.30 (58.42)	3.73	3.34	2.65
571-1-5103309-0	1-5103309-0	C	50	2.80 (71.12)	4.02	3.86	3.21

## TE 1MM CENTERLINE IDC RECEPTACLE ASSEMBLIES

### Specifications:

- 2mm x 2mm Footprint
- Polarized
- 30µ" Plated
- Black Polyester, UL94V-0 Rated



RoHS Compliant

For quantities greater than listed, call for quote.

MOUSER STOCK NO.	TE Part No.	Fig.	No. of Pos.	Dimension A in. (mm)	Price Each		
					1	10	100
571-1-111623-8	1-111623-8	B	10	0.597 (15.16)	4.00	3.84	3.20
571-1-111623-9	1-111623-9	B	14	0.755 (19.18)	4.30	4.12	3.44
571-2-111623-0	2-111623-0	B	16	0.834 (21.18)	3.74	3.37	3.11
571-2-111623-1	2-111623-1	B	20	0.991 (25.17)	4.63	4.44	3.70
571-2-111623-7	2-111623-7	B	24	1.149 (29.18)	5.08	4.72	3.81
571-2-111623-2	2-111623-2	B	26	1.227 (31.17)	5.36	3.37	2.93
571-2-111623-3	2-111623-3	B	30	1.385 (35.18)	5.56	3.44	3.03
571-2-111623-4	2-111623-4	B	40	1.779 (45.19)	5.79	3.49	3.48
571-2-111623-5	2-111623-5	B	44	1.936 (49.17)	6.02	5.77	3.82
571-2-111623-6	2-111623-6	B	50	2.172 (55.17)	5.50	4.98	4.88

## TE LOW PROFILE HEADERS

### Specifications:

- Center, Dual Polarizing Bar
- Black thermoplastic, UL94V-0 rated



RoHS Compliant

### Vertical Headers, 15µ" Gold

For quantities greater than listed, call for quote.

MOUSER STOCK NO.	TE Part No.	Fig.	No. of Pos.	Dimension A in. (mm)	Price Each		
					1	10	100
571-5103308-1	5103308-1	C	10	0.80 (20.32)	1.02	.966	.866
571-5103308-2	5103308-2	C	14	1.00 (25.40)	1.39	1.22	1.03
571-5103308-3	5103308-3	C	16	1.10 (27.94)	1.65	1.49	1.28
571-5103308-5	5103308-5	C	20	1.30 (33.02)	1.90	1.69	1.48
571-1-5103308-3	1-5103308-3	C	24	1.50 (38.10)	2.56	2.32	1.99
571-5103308-6	5103308-6	C	26	1.60 (40.64)	2.35	2.00	1.82
571-5103308-7	5103308-7	C	34	2.00 (50.80)	3.42	2.72	2.43
571-5103308-8	5103308-8	C	40	2.30 (58.42)	2.46	2.09	1.91
571-1-5103308-0	1-5103308-0	C	50	2.80 (71.12)	3.16	3.03	2.53
571-1-5103308-2	1-5103308-2	C	60	3.30 (83.82)	5.00	4.58	4.22

## Right Angle Headers, 15µ" Gold



RoHS Compliant

For quantities greater than listed, call for quote.

MOUSER STOCK NO.	TE Part No.	Fig.	No. of Pos.	Dimension A in. (mm)	Price Each		
					1	10	100
571-5103310-1	5103310-1	D	10	0.80 (20.32)	1.40	1.27	1.09
571-5103310-2	5103310-2	D	14	1.00 (25.40)	1.69	1.53	1.06
571-5103310-3	5103310-3	D	16	1.10 (27.94)	1.99	1.69	1.54
571-5103310-5	5103310-5	D	20	1.30 (33.02)	2.25	2.04	1.74
571-5103310-6	5103310-6	D	26	1.60 (40.64)	2.67	2.35	2.13
571-5103310-7	5103310-7	D	34	2.00 (50.80)	3.20	2.94	2.67
571-5103310-8	5103310-8	D	40	2.30 (58.42)	3.57	3.21	2.55
571-1-5103310-0	1-5103310-0	D	50	2.80 (71.12)	4.48	4.29	3.58

## Right Angle Headers, 30µ" Gold



RoHS Compliant

For quantities greater than listed, call for quote.

MOUSER STOCK NO.	TE Part No.	Fig.	No. of Pos.	Dimension A in. (mm)	Price Each		
					1	10	100
571-5103311-1	5103311-1	D	10	0.80 (20.32)	1.55	1.46	1.33
571-5103311-2	5103311-2	D	14	1.00 (25.40)	2.34	1.97	1.67
571-5103311-3	5103311-3	D	16	1.10 (27.94)	1.92	1.72	1.36
571-5103311-5	5103311-5	D	20	1.30 (33.02)	3.01	2.89	2.41
571-5103311-6	5103311-6	D	26	1.60 (40.64)	4.17	3.43	3.10
571-5103311-7	5103311-7	D	34	2.00 (50.80)	3.59	3.22	2.56
571-5103311-8	5103311-8	D	40	2.30 (58.42)	4.12	3.70	2.94
571-1-5103311-0	1-5103311-0	D	60	3.30 (83.82)	3.41	3.23	2.86

TE Connectivity Rectangular Connectors