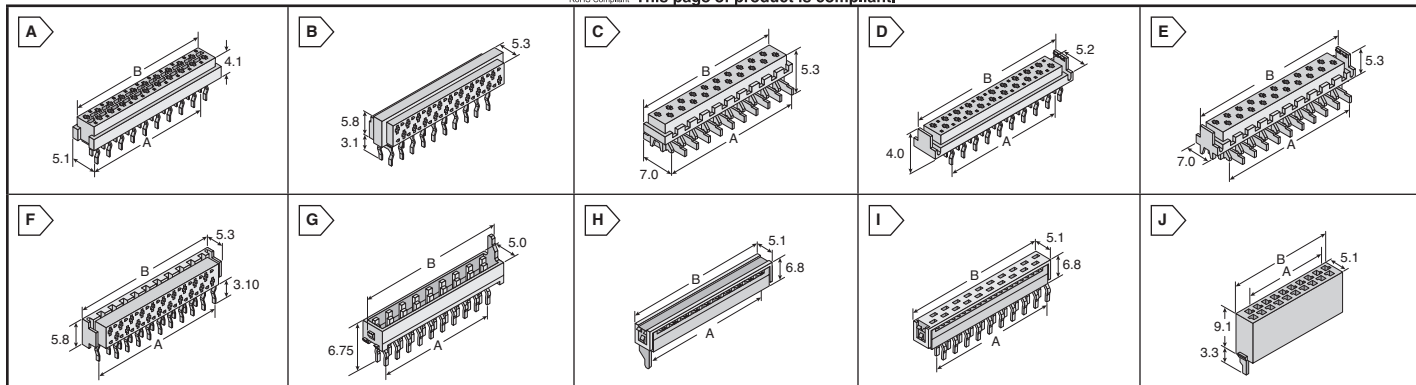


TE Micro-MaTch Connectors



RoHS Compliant This page of product is compliant.



Features/Benefits:

- One of the smallest systems available at 1.27mm
- UL-recognized: File No. E28476, Vol. 23, Section 4
- High performance/cost ratio
- Tin plated contact design
- Fretting corrosion proof thanks to additional positioning spring member
- Fully plated contacts: no bare edges and no migration of corrosion products

Applications:

- Automotive
- Car radios
- Navigation systems
- Dashboard systems
- Consumer electronics
- Communication equipment: base stations and phones
- Instrumentation and measuring equipment
- Set top boxes
- High end audio and musical
- High end CTV

DIMENSIONS: mm



FEMALE-ON-BOARD CONNECTORS

Mates with: 338095, 215083, 215464

Thru Hole Vertical

For quantities greater than listed, call for quote.

MOUSER STOCK NO.	TE Part No.	Fig.	No. of Positions	Dimensions: mm		Price Each		
				A	B	1	25	50
571-215079-4	215079-4	A	4	3.81	7.10	.41	.371	.34
571-215079-6	215079-6	A	6	6.35	9.70	.46	.432	.39
571-2150798	215079-8	A	8	8.89	12.20	.53	.473	.432
571-1-215079-2	1-215079-2	A	12	13.97	17.30	.74	.669	.598

Thru Hole Right Angle

For quantities greater than listed, call for quote.

MOUSER STOCK NO.	TE Part No.	Fig.	No. of Positions	Dimensions: mm		Price Each		
				A	B	1	25	50
571-8-215460-4	8-215460-4	B	14	16.51	19.80	1.58	1.41	1.29
571-2-215460-0	2-215460-0	B	20	24.13	27.40	2.01	1.79	1.58

SMT Vertical

For quantities greater than listed, call for quote.

MOUSER STOCK NO.	TE Part No.	Fig.	No. of Positions	Dimensions: mm		Price Each		
				A	B	1	25	50
571-1-188275-4	188275-4	C	4	3.81	7.10	.77	.691	.662
571-1-188275-6	188275-6	C	6	6.35	9.70	.97	.886	.835
571-1-188275-2	1-188275-2	C	12	13.97	17.30	1.59	1.45	1.29

FEMALE-ON-BOARD LOCKING CONNECTORS

Mates with: 338095, 215083, 215464

Thru Hole Vertical

For quantities greater than listed, call for quote.

MOUSER STOCK NO.	TE Part No.	Fig.	No. of Positions	Dimensions: mm		Price Each		
				A	B	1	25	50
571-1-338068-0	1-338068-0	D	10	11.43	17.30	.90	.745	.68
571-1-338068-8	1-338068-8	D	18	21.59	27.40	1.31	1.18	1.07
571-2-338068-0	2-338068-0	D	20	24.13	30.00	1.89	1.66	1.53

Thru Hole Right Angle

For quantities greater than listed, call for quote.

MOUSER STOCK NO.	TE Part No.	Fig.	No. of Positions	Dimensions: mm		Price Each		
				A	B	1	25	50
571-338070-4	338070-4	E	4	3.81	9.70	.67	.60	.54
571-338070-6	338070-6	E	6	6.35	12.20	.87	.79	.71
571-338070-8	338070-8	E	8	8.89	14.70	.99	.90	.81

SMT Vertical

For quantities greater than listed, call for quote.

MOUSER STOCK NO.	TE Part No.	Fig.	No. of Positions	Dimensions: mm		Price Each		
				A	B	1	25	50
571-338069-8	338069-8	F	8	8.89	14.70	1.44	1.30	1.18
571-1-338069-2	1-338069-2	F	12	13.97	19.80	2.29	1.93	1.79
571-1-338069-6	1-338069-6	F	16	19.05	24.90	2.45	2.21	1.99
571-1-338069-8	1-338069-8	F	18	21.59	27.40	2.69	2.43	2.16
571-2-338069-0	2-338069-0	F	20	24.13	30.00	2.80	2.41	2.13

CONTACTS

For quantities greater than listed, call for quote.

MOUSER STOCK NO.	TE Part No.	Description	Price Each			
			1	25	50	100
571-1-338096-1	1-338096-1	Contact 28-24 AWG	.29	.23	.20	.19
571-1-338097-1	1-338097-1	Contact 24-20 AWG	.25	.199	.187	.152

THRU HOLE MALE-ON-BOARD CONNECTORS -VERTICAL

For quantities greater than listed, call for quote.

MOUSER STOCK NO.	TE Part No.	Fig.	No. of Positions	Dimensions: mm		Price Each		
				A	B	1	25	50
571-215464-4	215464-4	G	4	3.81	8.20	.48	.439	.393
571-215464-6	215464-6	G	6	6.35	10.70	.47	.413	.381
571-215464-8	215464-8	G	8	8.89	13.30	.69	.638	.576
571-1-215464-2	1-215464-2	G	12	13.97	18.30	.80	.742	.68
571-1-215464-4	1-215464-4	G	14	16.51	20.80	.88	.823	.762
571-1-215464-8	1-215464-8	G	18	21.59	25.90	1.23	1.15	1.06
571-2-215464-0	2-215464-0	G	20	24.13	28.40	1.33	1.16	1.02

Mates with: 215079, 215460, 188275, 215079, 338068, 338069, 3380701

MALE-ON-WIRE CONNECTORS

For quantities greater than listed, call for quote.

MOUSER STOCK NO.	TE Part No.	Fig.	No. of Positions	Dimensions: mm		Price Each		
				A	B	1	25	50
571-215083-4	215083-4	H	4	3.81	8.60	.34	.299	.279
571-215083-6	215083-6	H	6	6.35	11.10	.59	.536	.496
571-1-215083-0	1-215083-0	H	10	11.43	16.20	.59	.535	.511

Mates with: 215079, 215460, 188275, 215079, 338068, 338069, 3380701

THRU HOLE MALE PADDLE BOARD CONNECTORS - VERTICAL

For quantities greater than listed, call for quote.

MOUSER STOCK NO.	TE Part No.	Fig.	No. of Positions	Dimensions: mm		Price Each		
				A	B	1	25	50
571-215570-4	215570-4	I	4	3.81	8.60	.28	.25	.224
571-215570-8	215570-8	I	8	8.89	13.60	.45	.41	.363
571-2-215570-0	1-215570-0	I	10	11.43	16.20	.80	.751	.689

No mate; direct soldering of ribbon cable onto the PC Board

CRIMP ON SNAP IN (COSI) CONNECTORS

For quantities greater than listed, call for quote.

MOUSER STOCK NO.	TE Part No.	Fig.	No. of Positions	Dimensions: mm		Price Each		
				A	B	1	25	50
571-338095-8	338095-8	J	8	8.89	13.50	.67	.618	.56
571-1-338095-0	1-338095-0	J	10	11.43	16.00	.60	.567	.529
571-1-338095-2	1-338095-2	J	12	13.97	18.50	1.08	.854	.741
571-1-338095-4	1-338095-4	J	14	16.51	21.10	1.14	1.01	.886
571-1-338095-6	1-338095-6	J	16	19.05	23.60	1.18	1.06	.975
571-1-338095-8	1-338095-8	J	18	21.59	26.20	1.27	1.08	.988
571-2-338095-0	2-338095-0	J	20	24.13	28.70	1.08	1.00	.994

Mates with: 215079, 215460, 188275, 215079, 338068, 338069, 3380701

Contacts: 338096-1, 338097-1