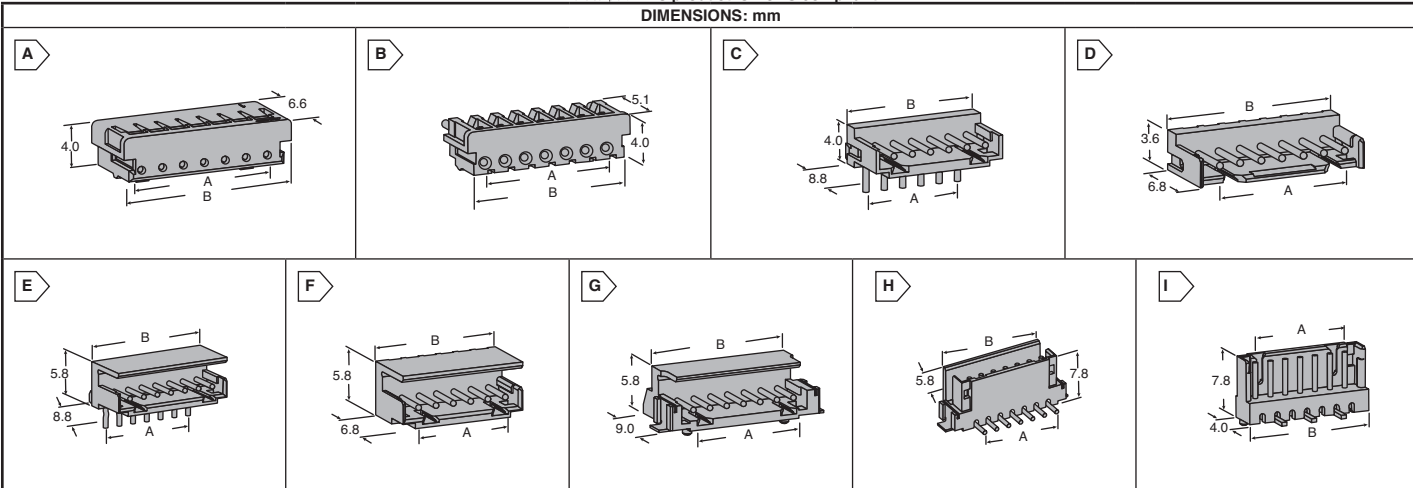


TE 2mm CT Connectors



This product is RoHS compliant.



CT CONNECTORS

Features:

- Ensures substantial labor saving as well as improved quality and stability in harness assembly
- Both MT receptacle connectors and crimp-type receptacle connectors can share the same post headers when mated
- Both discrete wire and flat shielded cable can be used
- IDC receptacle contacts in MT (Mass Termination) housings
- AWG 30-22

Applications:

- Business Equipment
- Industrial Machines
- Anywhere where routing signals or power
- Wire-to-Board Applications



RoHS Compliant

Receptacles

For quantities greater than listed, call for quote.

MOUSER STOCK NO.	TE Part No.	Fig.	No. of Positions	Dimensions: mm		Price Each			
				A	B	1	25	50	100
2mm CT - Crimp Type II Receptacle Housings									
571-179228-3	179228-3	A	3	4.00	8.00	.27	.218	.185	.178
571-179228-4	179228-4	A	4	6.00	10.00	.24	.21	.178	.171
571-179228-6	179228-6	A	6	10.00	14.00	.28	.21	.20	.15
571-179228-7	179228-7	A	7	12.00	16.00	.27	.232	.215	.167
571-179228-9	179228-9	A	9	16.00	20.00	.35	.325	.317	.232
571-1-179228-1	1-179228-1	A	11	20.00	24.00	.64	.56	.488	.406
571-1-179228-2	1-179228-2	A	12	22.00	26.00	.79	.687	.639	.547
571-1-179228-3	1-179228-3	A	13	24.00	28.00	.63	.567	.526	.41
571-1-179228-5	1-179228-5	A	15	28.00	32.00	.68	.629	.569	.46
2mm CT - MT Receptacle Housing Assemblies									
571-173977-2	173977-2	B	2	2.00	4.80	.19	.17	.157	.139
571-173977-3	173977-3	B	3	4.00	6.80	.23	.201	.193	.173
571-173977-4	173977-4	B	4	6.00	8.80	.33	.288	.276	.248
571-173977-5	173977-5	B	5	8.00	10.80	.56	.49	.46	.35
571-173977-6	173977-6	B	6	10.00	12.80	.61	.547	.541	.415
571-1-173977-1	1-173977-1	B	11	20.00	22.80	.86	.77	.69	.60
571-1-173977-2	1-173977-2	B	12	22.00	24.80	.95	.82	.716	.592
571-1-173977-3	1-173977-3	B	13	24.00	26.80	.97	.882	.756	.619
571-1-173977-5	1-173977-5	B	15	28.00	30.80	.77	.629	.572	.489

Receptacle Contacts

For quantities greater than listed, call for quote.

MOUSER STOCK NO.	TE Part No.	Description	Price Each			
			1	25	50	100
571-179609-1	179609-1	Receptacle Contact 30-26 AWG	.13	.074	.058	.053
571-179227-1	179227-1	Receptacle Contact 26-22 AWG	.10	.05	.042	.035

Headers

For quantities greater than listed, call for quote.

MOUSER STOCK NO.	TE Part No.	Fig.	No. of Positions	Dimensions: mm		Price Each			
				A	B	1	25	50	100
2mm CT - Post Header Assemblies, Horizontal									
571-292253-2	292253-2	C	2	2.0	5.8	.28	.21	.18	.16
571-292253-3	292253-3	C	3	4.0	7.8	.28	.20	.18	.17
571-292253-6	292253-6	C	6	10.0	13.8	.69	.62	.557	.533
571-292253-7	292253-7	C	7	12.0	15.8	.54	.431	.385	.353
571-292253-8	292253-8	C	8	14.0	17.8	.63	.567	.505	.452
571-292253-9	292253-9	C	9	16.0	19.8	.55	.526	.505	.431
571-1-292253-0	1-292253-0	C	10	18.0	21.8	.70	.631	.585	.529
571-1-292253-1	1-292253-1	C	11	20.0	23.8	.84	.798	.758	.682
571-1-292253-2	1-292253-2	C	12	22.0	25.8	1.15	1.01	.914	.809
571-1-292253-3	1-292253-3	C	13	24.0	27.8	1.18	1.03	.992	.881
2mm CT - Post Header Assemblies, Vertical									
571-292161-2	292161-2	D	2	2.0	5.8	.26	.224	.19	.183
571-292161-3	292161-3	D	3	4.0	7.8	.45	.404	.36	.344

Headers (Cont.)

For quantities greater than listed, call for quote.

MOUSER STOCK NO.	TE Part No.	Fig.	No. of Positions	Dimensions: mm		Price Each			
				A	B	1	25	50	100
2mm CT - Post Header Assemblies, Vertical (Cont.)									
571-292161-4	292161-4	D	4	6.0	9.8	.43	.374	.318	.306
571-292161-5	292161-5	D	5	8.0	11.8	.48	.404	.36	.344
571-292161-6	292161-6	D	6	10.0	13.8	.49	.40	.36	.34
571-292161-8	292161-8	D	8	14.0	17.8	.75	.64	.61	.58
571-292161-9	292161-9	D	9	16.0	19.8	.61	.55	.489	.438
571-1-292161-0	1-292161-0	D	10	18.0	21.8	.65	.452	.433	.407
571-1-292161-2	1-292161-2	D	12	22.0	25.8	.90	.808	.722	.646
571-1-292161-3	1-292161-3	D	13	24.0	27.8	.90	.799	.704	.641
571-1-292161-4	1-292161-4	D	14	26.0	29.8	.96	.86	.766	.692
571-1-292161-5	1-292161-5	D	15	28.0	31.8	.99	.914	.881	.724
2mm CT - Post Header Assemblies, Box-H, DIP									
571-292250-3	292250-3	E	3	4.00	7.80	.38	.34	.305	.273
571-292250-5	292250-5	E	5	8.00	11.80	.46	.419	.39	.319
571-292250-6	292250-6	E	6	10.00	13.80	.55	.483	.446	.398
571-292250-7	292250-7	E	7	12.00	15.80	.62	.735	.661	.605
571-292250-9	292250-9	E	9	16.00	19.80	.92	.829	.742	.666
571-1-292250-0	1-292250-0	E	10	18.00	21.80	.91	.839	.745	.671
2mm CT - Post Header Assemblies, Box-V, DIP									
571-292132-3	292132-3	F	3	4.0	7.8	.29	.27	.23	.23
571-292132-4	292132-4	F	4	6.0	9.8	.38	.31	.26	.25
571-292132-6	292132-6	F	6	10.0	13.8	.36	.346	.336	.325
571-292132-7	292132-7	F	7	12.0	15.8	.57	.536	.427	.37
571-292132-8	292132-8	F	8	14.0	17.8	.58	.566	.513	.453
571-1-292132-1	1-292132-1	F	11	20.0	23.8	.96	.861	.766	.682
571-1-292132-2	1-292132-2	F	12	22.0	25.8	.91	.788	.702	.654
571-1-292132-3	1-292132-3	F	13	24.0	27.8	.96	.82	.788	.738
571-1-292132-4	1-292132-4	F	14	26.0	29.8	1.11	1.00	.926	.879
571-1-292132-5	1-292132-5	F	15	28.0	31.8	.89	.818	.751	.701
2mm CT - Post Header Assemblies, Box-V, SMT with Boss									
571-292173-2	292173-2	G	2	2.00	8.00	1.14	.94	.90	.86
571-292173-3	292173-3	G	3	4.00	10.00	1.11	.987	.876	.794
571-292173-4	292173-4	G	4	6.00	12.00	1.36	1.21	1.09	.973
571-292173-5	292173-5	G	5	8.00	14.00	1.32	1.18	1.05	.939
571-292173-6	292173-6	G	6	10.00	16.00	1.45	1.31	1.16	1.04
571-292173-8	292173-8	G	8	14.00	20.00	1.65	1.59	1.54	1.45
2mm CT - Post Header Assemblies, Box-H, SMT with Boss									
571-292174-2	292174-2	H	2	2.00	5.8	.96	.83	.776	.726
571-292174-3	292174-3	H	3	4.00	7.8	1.37	1.22	1.09	.981
571-292174-4	292174-4	H	4	6.00	9.8	1.49	1.30	1.18	1.06
571-292174-6	292174-6	H	6	10.00	13.8	1.40	1.25	1.12	1.01
571-292174-7	292174-7	H	7	12.00	15.8	1.57	1.40	1.24	1.12
571-292174-8	292174-8	H	8	14.00	17.8	1.67	1.51	1.34	1.19
2mm CT - Post Header Assemblies, Standard-V, SMT									
571-292171-3	292171-3	I	3	4.00	8.00	.67	.598	.538	.481
571-292171-4	292171-4	I	4	6.00	10.00	.77	.694	.614	.55
571-292171-5	292171-5	I	5	8.00	12.00	1.16	1.03	.931	.84
571-292171-7	292171-7	I	7	12.00	16.00	1.31	1.17	1.03	.939
571-292171-8	292171-8	I	8	14.00	18.00	1.40	1.25	1.12	1.01

TOOL

MOUSER STOCK NO.	TE Part No.	Description	Price Each
571-580741	58074-1	Manual handle w/o head	92.54