

OMRON PCB Connectors

OMRON
ELECTRONIC COMPONENTS



This product is RoHS compliant.

XG SERIES: FLAT CABLE CONNECTORS

Specifications:

- XG4**
- Rated current: 1A
 - Rated voltage: 250VAC
 - Insertion tolerance: 50 times

Features:

- XG4**
- Industry standard circuit board connectors conform to MIL standards with improved design
 - New production system improves reliability

Materials:

- Housing material:
 - XG4M/XG5 Fiber-glass reinforced, Black PBT resin (UL94V-0)
 - XG4E/XG4 Black Polyamide resin (UL94V-0)
- Contact material: Phosphor bronze/nickel base
 - XG4 Mating end: 0.15µm Gold plating
 - Terminal press fit: Tin plating
- XG5 Mating end: 0.15µm Gold plating
- Terminal press fit: 2.0µm Solder plating

Sockets:

- Number of polarity slots: 1

XG5

- Rated current: 3A
- Rated voltage: 300VAC
- Insertion tolerance: 50 times

XG5

- Two-row, IDC construction and insulation barrel offer high reliability and large-current discrete wiring capability
- Adaptable to a variety of covers for space-saving

MIL Socket and Strain Relief Sets

- Mates with XG4A MIL plugs with short locks, XG4E cable plugs with short locks
- + XG4S strain reliefs, XG4C box-type shrouded plugs, XG8W original plugs (unshrouded)

For quantities greater than listed, call for quote.

MOUSER STOCK NO.	Omron Part No.	Fig.	No. of Contacts	Dimensions: mm					Price Each				
				A	B	C	D	E	1	25	50	100	
653-XG4M-1030-T	XG4M-1030-T	A	10	17.3	10.16	-	-	-	-	.91	.808	.716	.644
653-XG4M-1430-T	XG4M-1430-T	A	14	22.3	15.24	-	-	-	-	1.19	1.15	1.09	1.01
653-XG4M-1630-T	XG4M-1630-T	A	16	24.9	17.78	-	-	-	-	1.19	1.14	1.08	1.03
653-XG4M-2030-T	XG4M-2030-T	A	20	30.0	22.86	-	-	-	-	1.20	1.17	1.11	1.05
653-XG4M-2630-T	XG4M-2630-T	A	26	37.6	30.48	-	-	-	-	1.48	1.44	1.36	1.29
653-XG4M-3030-T	XG4M-3030-T	A	30	42.7	35.56	-	-	-	-	1.62	1.59	1.41	1.27
653-XG4M-3430-T	XG4M-3430-T	A	34	47.7	40.64	-	-	-	-	1.83	1.78	1.60	1.51
653-XG4M-4030-T	XG4M-4030-T	A	40	55.4	48.26	-	-	-	-	1.85	1.80	1.70	1.61
653-XG4M-5030-T	XG4M-5030-T	A	50	68.1	60.96	-	-	-	-	2.53	2.30	2.17	1.87
653-XG4M-6030-T	XG4M-6030-T	A	60	80.8	73.66	-	-	-	-	2.98	2.90	2.60	2.52
653-XG4M-6430-T	XG4M-6430-T	A	64	85.8	78.74	-	-	-	-	2.90	2.80	2.68	2.53

Sockets and Strain Relief Sets with Locks

- Mates with XG4C box-type plugs

For quantities greater than listed, call for quote.

MOUSER STOCK NO.	Omron Part No.	Fig.	No. of Contacts	Dimensions: mm					Price Each			
				A	B	C	D	E	1	25	50	100
653-XG4M-1030-U	XG4M-1030-U	B	10	26.8	13.2	26.2	17.3	10.16	1.34	1.22	1.10	.99
653-XG4M-1430-U	XG4M-1430-U	B	14	31.8	18.2	31.2	22.3	15.24	1.49	1.45	1.29	1.25
653-XG4M-1630-U	XG4M-1630-U	B	16	34.4	20.8	33.8	24.9	17.78	1.60	1.57	1.48	1.40
653-XG4M-2030-U	XG4M-2030-U	B	20	39.5	25.9	38.9	30.0	22.86	2.20	2.02	1.96	1.92
653-XG4M-2630-U	XG4M-2630-U	B	26	47.1	33.5	46.5	37.6	30.48	2.73	2.51	2.25	2.16
653-XG4M-3430-U	XG4M-3430-U	B	34	57.2	43.6	56.6	47.7	40.64	3.30	3.03	2.69	2.62
653-XG4M-4030-U	XG4M-4030-U	B	40	64.9	51.3	64.3	55.4	48.26	3.10	3.03	2.71	2.55

Individual Sockets or Strain Reliefs

For quantities greater than listed, call for quote.

Sockets with Open-End Covers (Strain Reliefs Sold Separately)													
MOUSER STOCK NO.	Omron Part No.	Fig.	No. of Contacts	Dimensions: mm					Price Each				
				A	B	C	D	E	1	25	50	100	
653-XG4M-1030	XG4M-1030	B	10	17.3	10.16	-	-	-	-	.71	.69	.65	.58
653-XG4M-1430	XG4M-1430	B	14	22.3	15.24	-	-	-	-	.73	.714	.682	.649
653-XG4M-1630	XG4M-1630	B	16	24.9	17.78	-	-	-	-	.96	.94	.86	.80
653-XG4M-2030	XG4M-2030	B	20	30.0	22.86	-	-	-	-	1.16	1.04	.928	.835
653-XG4M-2630	XG4M-2630	B	26	37.6	30.48	-	-	-	-	1.22	1.15	1.10	1.06
653-XG4M-3030	XG4M-3030	B	30	42.7	35.56	-	-	-	-	1.28	1.22	1.14	1.11
653-XG4M-4030	XG4M-4030	B	40	55.4	48.26	-	-	-	-	1.31	1.24	1.16	1.14

Strain Reliefs for XG4M Sockets													
MOUSER STOCK NO.	Omron Part No.	Fig.	No. of Contacts	Dimensions: mm					Price Each				
				A	B	C	D	E	1	25	50	100	
653-XG4T-1004	XG4T-1004	B	10	17.3	10.16	-	-	-	-	.21	.202	.195	.183
653-XG4T-1404	XG4T-1404	B	14	22.3	15.24	-	-	-	-	.19	.179	.168	.157
653-XG4T-1604	XG4T-1604	B	16	24.9	17.78	-	-	-	-	.19	.179	.168	.157
653-XG4T-2004	XG4T-2004	B	20	30.0	22.86	-	-	-	-	.24	.223	.177	.148
653-XG4T-2604	XG4T-2604	B	26	37.6	30.48	-	-	-	-	.29	.28	.257	.241
653-XG4T-3004	XG4T-3004	B	30	42.7	35.56	-	-	-	-	.41	.348	.288	.238
653-XG4T-4004	XG4T-4004	B	40	55.4	48.26	-	-	-	-	.39	.37	.349	.338

IDC Sockets for Discrete Wires

- Mates with XG4A and XG4C PCB plugs, XG4E IDC flat cable plugs, and XG8W/XG8B double-row unshrouded plugs

For quantities greater than listed, call for quote.

Double-Row PCB Sockets													
MOUSER STOCK NO.	Omron Part No.	Fig.	No. of Contacts	Dimensions: mm					Price Each				
				A	B	C	D	E	1	25	50	100	
653-XG5M-1032-N	XG5M-1032-N	C	10	17.3	10.16	-	-	-	-	2.26	2.05	1.93	1.82
653-XG5M-1432-N	XG5M-1432-N	C	14	22.3	15.24	-	-	-	-	2.72	2.58	2.44	2.37
653-XG5M-2632-N	XG5M-2632-N	C	26	37.6	30.48	-	-	-	-	3.84	3.62	3.53	3.42
653-XG5M-3432-N	XG5M-3432-N	C	34	47.7	40.64	-	-	-	-	4.43	4.20	3.72	3.52
653-XG5M-4032-N	XG5M-4032-N	C	40	55.4	48.26	-	-	-	-	5.33	4.84	4.23	4.09
653-XG5M-5032-N	XG5M-5032-N	C	50	68.1	60.96	-	-	-	-	8.84	7.89	7.58	7.09
653-XG5M-6432-N	XG5M-6432-N	C	64	85.8	78.74	-	-	-	-	7.80	7.58	7.35	7.13

Semi-Covers for Connectors													
MOUSER STOCK NO.	Omron Part No.	Fig.	No. of Contacts	Dimensions: mm					Price Each				
				A	B	C	D	E	1	25	50	100	
653-XG5S-0501	XG5S-0501	D	5	17.3	-	-	-	-	-	.26	.25	.24	.21
653-XG5S-1001	XG5S-1001	D	10	30.0	-	-	-	-	-	.34	.314	.292	.281
653-XG5S-1701	XG5S-1701	D	17	47.7	-	-	-	-	-	.26	.258	.247	.224
653-XG5S-2001	XG5S-2001	D	20	55.4	-	-	-	-	-	.37	.336	.303	.28
653-XG5S-2501	XG5S-2501	D	25	68.1	-	-	-	-	-	.39	.359	.336	.303

IDC Tool For Use With XG5M Connectors

653-XY2B-7006	XY2B-7006	E	Applicable wire AWG24 to AWG28	110.85	108.11	103.19	94.66
---------------	-----------	---	--------------------------------	--------	--------	--------	-------

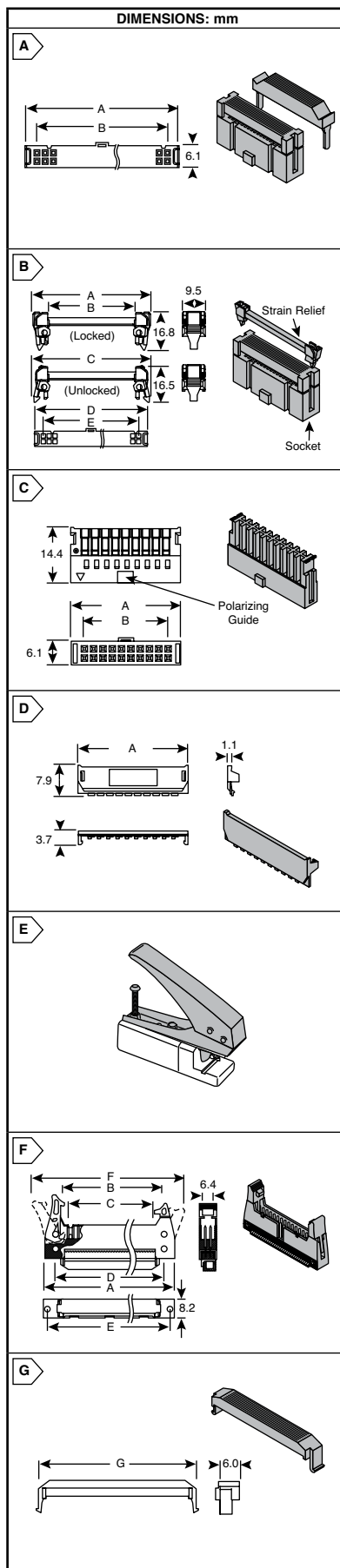
Long-Lock Relay Plugs with Open-End Covers

- Mates with XG4M-T MIL socket and strain relief sets and XG5M sockets

For quantities greater than listed, call for quote.

MOUSER STOCK NO.	Omron Part No.	Fig.	No. of Contacts	Dimensions: mm							Price Each			
				A	B	C	D	E	F	G	1	25	50	100
653-XG4E-1031	XG4E-1031	F	10	32.0	17.5	10.16	21.8	27.9	46.4	-	3.79	3.70	3.39	3.27
653-XG4E-1431	XG4E-1431	F	14	37.1	22.6	15.24	26.9	33.0	51.5	-	4.09	3.98	3.58	3.50
653-XG4E-1631	XG4E-1631	F	16	39.6	25.2	17.78	29.5	35.6	54.1	-	3.91	3.80	3.61	3.40
653-XG4E-2031	XG4E-2031	F	20	44.7	30.2	22.86	34.5	40.6	59.1	-	4.34	4.22	4.00	3.77
653-XG4E-2631	XG4E-2631	F	26	52.3	37.9	30.48	42.2	48.3	66.8	-	5.03	4.89	4.64	4.37
653-XG4E-3431	XG4E-3431	F	34	62.5	48.0	40.64	52.3	58.4	76.9	-	5.19	5.06	4.79	4.54
653-XG4E-4031	XG4E-4031	F	40	70.1	55.6	48.26	59.9	66.0	84.5	-	7.57	6.88	6.24	5.62
653-XG4E-5031	XG4E-5031	F	50	82.8	68.3	60.96	72.6	78.7	97.2	-	7.20	7.01	6.31	6.10
653-XG4E-6031	XG4E-6031	F	60	95.5	81.0	73.66	85.3	91.4	109.9	-	7.67	7.48	7.07	6.71

Strain Reliefs														
MOUSER STOCK NO.	Omron Part No.	Fig.	No. of Contacts	Dimensions: mm					Price Each					
				A	B	C	D	E	1	25	50	100		
653-XG4S-1004	XG4S-1004	G	10	-	-	-	-	-	-	16.9	.39	.382	.359	.348
653-XG4S-1604	XG4S-1604	G	16	-	-	-	-	-	-	24.6	.44	.40	.38	.34
653-XG4S-2004	XG4S-2004	G	20	-	-	-	-	-	-	29.6	.46	.45	.40	.36
653-XG4S-3404	XG4S-3404	G	34	-	-	-	-	-	-	47.4	.48	.426	.415	.37
653-XG4S-4004	XG4S-4004	G	40	-	-	-	-	-	-	55.0	.48	.426	.415	.37



Omron Rectangular Connectors