

# OMRON PCB Connectors



RoHS compliant This product is RoHS compliant.

## OMRON XG4A SERIES: MIL PLUGS WITH LONG LOCKS

### Specifications:

- Rated current: 3A
- Rated voltage: 300VAC
- Insertion durability: 50 times
- Number of polarity slots: 1
- Contact resistance: 20mΩ max. (@ 20mV, 100mA max.)

### Features:

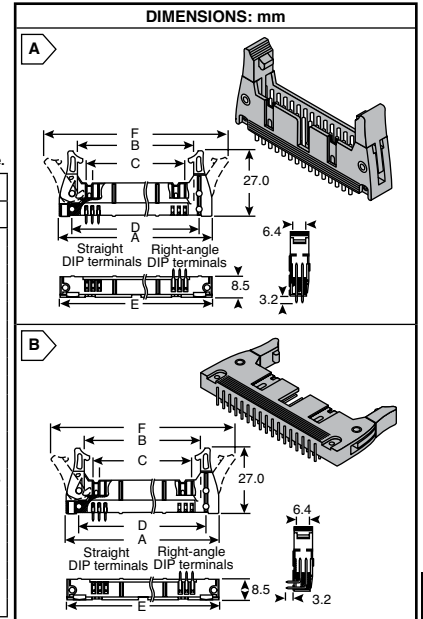
- Industry standard circuit board connectors conform to MIL standards with improved design
- Mates with XG4M-T socket and strain relief sets, XG4M sockets without strain reliefs or XG5M sockets for discrete wires

### Materials:

- Housing material: Fiber-glass reinforced PBT resin (UL94V-0)/black
- Contact material: Brass/nickel base
- Mating end: 0.15µm Gold plating
- Terminal press fit: Tin plating

For quantities greater than listed, call for quote.

MOUSER STOCK NO.	Omron Part No.	Fig.	No. of Contacts	DIP Terminals	Dimensions (mm)						Price Each			
					A	B	C	D	E	F	1	25	50	100
653-XG4A-1031	XG4A-1031	A	10	Straight	32.0	17.5	10.16	21.8	27.9	46.4	.99	.974	.867	.842
653-XG4A-1431	XG4A-1431	A	14	Straight	37.1	22.6	15.24	26.9	33.0	51.5	.94	.92	.867	.825
653-XG4A-1631	XG4A-1631	A	16	Straight	39.6	25.2	17.78	29.5	35.6	54.1	1.25	1.22	1.14	1.08
653-XG4A-2031	XG4A-2031	A	20	Straight	44.7	30.2	22.86	34.5	40.6	59.1	1.15	1.12	1.05	1.00
653-XG4A-2631	XG4A-2631	A	26	Straight	52.3	37.9	30.48	42.2	48.3	66.8	1.32	1.29	1.21	1.15
653-XG4A-3031	XG4A-3031	A	30	Straight	57.4	42.9	35.56	47.2	53.3	71.8	1.38	1.31	1.24	1.16
653-XG4A-3431	XG4A-3431	A	34	Straight	62.5	48.0	40.64	52.3	58.4	76.9	1.60	1.57	1.48	1.40
653-XG4A-4031	XG4A-4031	A	40	Straight	70.1	55.6	48.26	59.9	66.0	84.5	1.68	1.63	1.55	1.47
653-XG4A-5031	XG4A-5031	A	50	Straight	82.8	68.3	60.96	72.6	78.7	97.2	2.71	2.59	2.51	2.36
653-XG4A-6031	XG4A-6031	A	60	Straight	95.5	81.0	73.66	85.3	91.4	109.9	3.43	3.29	3.16	2.98
653-XG4A-6431	XG4A-6431	A	64	Straight	100.6	86.1	78.74	90.4	96.5	115.0	2.99	2.85	2.74	2.60
653-XG4A-1034	XG4A-1034	B	10	Right-angle	32.0	17.5	10.16	21.8	27.9	46.4	.88	.867	.772	.75
653-XG4A-1434	XG4A-1434	B	14	Right-angle	37.1	22.6	15.24	26.9	33.0	51.5	.94	.92	.867	.825
653-XG4A-1634	XG4A-1634	B	16	Right-angle	39.6	25.2	17.78	29.5	35.6	54.1	1.14	1.07	1.02	.974
653-XG4A-2034	XG4A-2034	B	20	Right-angle	44.7	30.2	22.86	34.5	40.6	59.1	1.16	1.13	1.06	1.01
653-XG4A-2634	XG4A-2634	B	26	Right-angle	52.3	37.9	35.56	42.2	48.3	66.8	1.48	1.44	1.36	1.29
653-XG4A-3434	XG4A-3434	B	34	Right-angle	62.5	48.0	40.64	52.3	58.4	76.9	1.71	1.67	1.57	1.49
653-XG4A-4034	XG4A-4034	B	40	Right-angle	70.1	55.6	48.26	59.9	66.0	84.5	2.12	2.06	1.96	1.84
653-XG4A-5034	XG4A-5034	B	50	Right-angle	82.8	68.3	60.96	72.6	78.7	97.2	2.53	2.43	2.34	2.21
653-XG4A-6034	XG4A-6034	B	60	Right-angle	95.5	81.0	73.66	85.3	91.4	109.9	3.43	3.16	2.81	2.73
653-XG4A-6434	XG4A-6434	B	64	Right-angle	100.6	86.1	78.74	90.4	96.5	115.0	3.14	3.00	2.89	2.73



## OMRON XG4A-A SERIES: 2-TIER MIL PLUGS WITH LONG LOCK

### Specifications:

- Rated current: 3A
- Rated voltage: 300VAC
- Terminals: Right-angle DIP
- Number of polarity slots: 1
- Contact resistance: 20mΩ max. (@ 20mV, 100mA max.)

### Features:

- Recommended for high-density mounting
- MIL-compliant cable ensures faster delivery times and lower cost than half-pitch board cable
- Mates with XG4M-T socket and strain relief sets, XG4M sockets without strain reliefs or XG5M sockets for discrete wires

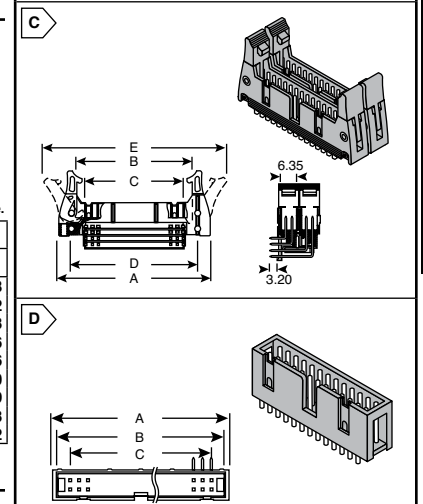
### Materials:

- Housing material: Fiber-glass reinforced PBT resin (UL94V-0)/black
- Contact material: Brass/nickel base
- Mating end: 0.15µm Gold plating
- Terminal press fit: Tin plating

For quantities greater than listed, call for quote.

MOUSER STOCK NO.	Omron Part No.	Fig.	No. of Contacts	Applicable Socket for Flat Cable*	Applicable Socket for Discrete Wire†	Dimensions (mm)					Price Each			
						A	B	C	D	E	1	25	50	100
653-XG4A-1039-A	XG4A-1039-A	C	10x2	XG4M-1030-T	XG5M-1032-N	32.0	17.5	10.16	21.8	46.4	4.99	4.48	3.98	3.58
653-XG4A-1439-A	XG4A-1439-A	C	14x2	XG4M-1430-T	XG5M-1432-N	37.1	22.6	15.24	26.9	51.5	4.49	4.37	4.15	3.92
653-XG4A-1639-A	XG4A-1639-A	C	16x2	XG4M-1630-T	XG5M-1632-N	39.6	25.2	17.78	29.5	54.1	6.57	6.32	6.08	5.73
653-XG4A-2039-A	XG4A-2039-A	C	20x2	XG4M-2030-T	XG5M-2032-N	44.7	30.2	22.86	34.5	59.1	6.54	6.39	6.04	5.66
653-XG4A-2639-A	XG4A-2639-A	C	26x2	XG4M-2630-T	XG5M-2632-N	52.3	37.9	30.48	42.2	66.8	8.18	7.98	7.56	7.16
653-XG4A-3439-A	XG4A-3439-A	C	34x2	XG4M-3430-T	XG5M-3432-N	62.5	48.0	40.64	52.3	76.9	9.82	9.58	9.07	8.60
653-XG4A-4039-A	XG4A-4039-A	C	40x2	XG4M-4030-T	XG5M-4032-N	70.1	55.6	48.26	59.9	84.9	13.29	12.94	12.26	11.59
653-XG4A-5039-A	XG4A-5039-A	C	50x2	XG4M-5030-T	XG5M-5032-N	82.8	68.3	60.96	72.6	97.2	17.63	17.16	16.26	15.33
653-XG4A-6039-A	XG4A-6039-A	C	60x2	XG4M-6030-T	XG5M-6032-N	95.5	81.0	73.66	85.3	109.9	20.07	20.03	18.98	17.92

\*Socket is ordered separately. Use with the supplied strain relief. † Socket is ordered separately. Use with the supplied semi-cover. Hood cover cannot be used.



## OMRON XG4C SERIES: MIL BOX-TYPE SHROUDED PLUGS

### Specifications:

- Rated current: 3A
- Rated voltage: 300VAC
- Insertion durability: 50 times
- Number of polarity slots: 1
- Contact resistance: 20mΩ max. (@ 20mV, 100mA max.)

### Features:

- Industry standard circuit board connectors conform to MIL standards with improved design
- Mates with XG4M-T socket and strain relief sets, XG4M sockets without strain reliefs, XG5M sockets for discrete wires or XG4M-U socket and strain relief sets with locks

### Materials:

- Housing material: Fiber-glass reinforced PBT resin (UL94V-0)/black
- Contact material: Brass/nickel base
- Mating end: 0.15µm Gold plating
- Terminal press fit: Tin plating

For quantities greater than listed, call for quote.

MOUSER STOCK NO.	Omron Part No.	Fig.	No. of Contacts	DIP Terminals	Dimensions (mm)			Price Each			
					A	B	C	1	25	50	100
653-XG4C-1031	XG4C-1031	D	10	Straight	20.0	17.5	10.16	.77	.741	.685	.651
653-XG4C-1431	XG4C-1431	D	14	Straight	25.1	22.6	15.24	.96	.943	.842	.719
653-XG4C-1631	XG4C-1631	D	16	Straight	27.6	25.2	17.78	.97	.94	.89	.84
653-XG4C-2031	XG4C-2031	D	20	Straight	32.7	30.2	22.86	1.03	1.01	.955	.865
653-XG4C-2631	XG4C-2631	D	26	Straight	40.3	37.9	30.48	1.32	1.30	1.22	1.15
653-XG4C-3031	XG4C-3031	D	30	Straight	45.4	42.9	35.56	1.41	1.38	1.31	1.23
653-XG4C-3431	XG4C-3431	D	34	Straight	50.5	48.0	40.64	1.50	1.46	1.39	1.31
653-XG4C-4031	XG4C-4031	D	40	Straight	58.1	55.6	48.26	1.78	1.74	1.66	1.54
653-XG4C-5031	XG4C-5031	D	50	Straight	70.8	68.3	60.96	2.27	2.22	2.10	2.00
653-XG4C-6031	XG4C-6031	D	60	Straight	83.5	81.0	73.66	2.88	2.78	2.67	2.52
653-XG4C-6431	XG4C-6431	D	64	Straight	88.6	86.1	78.74	2.82	2.71	2.61	2.45
653-XG4C-1034	XG4C-1034	E	10	Right-angle	20.0	17.5	10.16	.85	.83	.78	.75
653-XG4C-1434	XG4C-1434	E	14	Right-angle	25.1	22.6	15.24	.90	.88	.83	.81
653-XG4C-1634	XG4C-1634	E	16	Right-angle	27.6	25.2	17.78	1.05	.977	.865	.775
653-XG4C-2034	XG4C-2034	E	20	Right-angle	32.7	30.2	22.86	1.08	1.06	1.00	.929
653-XG4C-2634	XG4C-2634	E	26	Right-angle	40.3	37.9	30.48	1.30	1.26	1.19	1.14
653-XG4C-3034	XG4C-3034	E	30	Right-angle	45.4	42.9	35.56	1.45	1.41	1.33	1.27
653-XG4C-3434	XG4C-3434	E	34	Right-angle	50.5	48.0	40.64	1.58	1.54	1.47	1.36
653-XG4C-4034	XG4C-4034	E	40	Right-angle	58.1	55.6	48.26	1.78	1.74	1.65	1.44
653-XG4C-5034	XG4C-5034	E	50	Right-angle	70.8	68.3	60.96	2.55	2.48	2.35	2.23
653-XG4C-6034	XG4C-6034	E	60	Right-angle	83.5	81.0	73.66	2.57	2.53	2.26	2.18
653-XG4C-6434	XG4C-6434	E	64	Right-angle	88.6	86.1	78.74	3.56	3.43	3.30	3.10

### Use To Lock XG4C Box-Type Plugs

MOUSER STOCK NO.	Omron Part No.	Fig.	Description	1	25	50	100
653-XG4Z-0002	XG4Z-0002	F	Locks plugs to XG4M and XG5 sockets	.41	.384	.361	.339

