

OMRON FPC and PCB Connectors



RoHS Compliant This product is RoHS compliant.

OMRON XF2J SERIES: 0.50MM PITCH ZIF SLIDE-LOCKING CONNECTORS

Specifications:

- Rated current: 0.5A AC/DC
- Rated voltage: 50VAC/DC
- Contact resistance: 30mΩ max. (@ 20mV, 100mA max.)
- Insulation resistance: 100MΩ min. (@ 250VDC)
- Insertion tolerance: 30 times

Features:

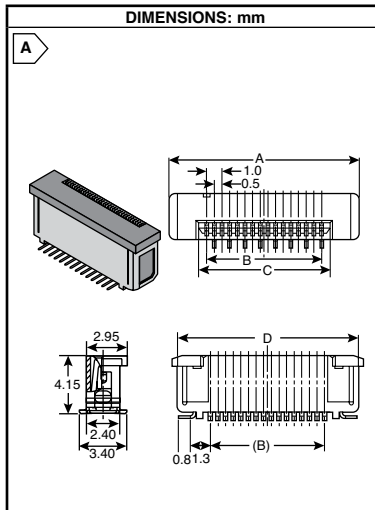
- Top-entry ZIF connector
- Low on-board profile of only 4.15mm
- Adhesion face on top of connector suits automatic mounting.
- Applicable FPC thickness of 0.3mm

Materials:

- Housing material: PA46 resin (UL94V-0)/natural
- Contact material: Spring copper alloy/
Nickel substrate (2μm)
Gold-plated contacts (0.15μm)

For quantities greater than listed, call for quote.

MOUSER STOCK NO.	Omron Part No.	Fig.	No. of Contacts	Dimensions (mm)				Price Each				Reel Quantity	Price Per Piece
				A	B	C	D	1	25	50	100		
653-XF2J-0624-11A	XF2J-0624-11A	A	6	7.5	2.5	3.6	6.9	.74	.67	.62	.57	1000	.53
653-XF2J-1024-11A	XF2J-1024-11A	A	10	9.5	4.5	5.6	8.9	1.00	.91	.83	.77	1000	.67
653-XF2J-1224-11A	XF2J-1224-11A	A	12	10.5	5.5	6.6	9.9	1.19	1.08	.99	.924	1000	.795
653-XF2J-1424-11A	XF2J-1424-11A	A	14	11.5	6.5	7.6	10.9	1.23	1.12	1.03	.95	1000	.84
653-XF2J-1624-11A	XF2J-1624-11A	A	16	12.5	7.5	8.6	11.9	1.56	1.23	1.13	1.04	1000	.97
653-XF2J-1824-11A	XF2J-1824-11A	A	18	13.5	8.5	9.6	12.9	1.58	1.44	1.32	1.21	1000	1.05
653-XF2J-2024-11A	XF2J-2024-11A	A	20	14.5	9.5	10.6	13.9	1.89	1.72	1.58	1.45	1000	1.25
653-XF2J-2224-11A	XF2J-2224-11A	A	22	15.5	10.5	11.6	14.9	1.71	1.55	1.43	1.32	1000	1.17
653-XF2J-2424-11A	XF2J-2424-11A	A	24	16.5	11.5	12.6	15.9	1.83	1.66	1.52	1.41	1000	1.31
653-XF2J-2624-11A	XF2J-2624-11A	A	26	17.5	12.5	13.6	16.9	2.51	2.18	2.00	1.81	1000	1.50
653-XF2J-2824-11A	XF2J-2824-11A	A	28	18.5	13.5	14.6	17.9	2.07	1.88	1.72	1.59	1000	1.41
653-XF2J-3024-11A	XF2J-3024-11A	A	30	19.5	14.5	15.6	18.9	2.19	1.99	1.82	1.68	1000	1.49
Reverse Terminal Arrangement													
653-XF2J-1224-12A	XF2J-1224-12A	A	12	10.5	5.5	6.6	9.9	1.32	1.07	.97	.91	1000	.836



OMRON XF2L SERIES: 0.50MM PITCH SMT ZIF SLIDE-LOCKING CONNECTORS

Specifications:

- Rated current: 0.5A AC/DC
- Rated voltage: 50VAC/DC
- Contact resistance: 30mΩ max. (@ 20mV, 100mA max.)
- Insulation resistance: 100MΩ min. (@ 250VDC)
- Insertion tolerance: 20 times

Features:

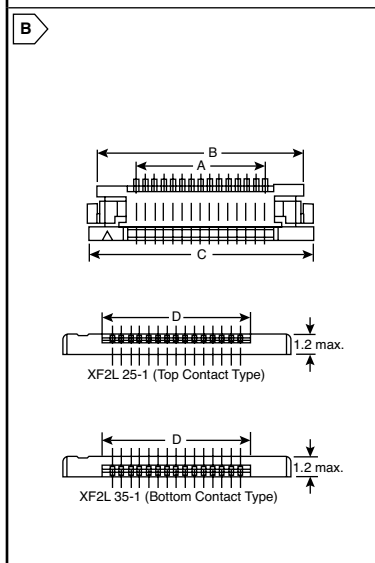
- Smallest on-board area and volume in the industry
- Low on-board profile of only 1.2mm max.
- Bottom wall prevents terminal exposure
- Applicable FPC thickness of 0.3mm
- Color-coded slide identifies top and bottom contact versions to prevent mix-ups during production

Materials:

- Housing material: LCP resin (UL94V-0)/natural
- Contact material: Spring copper alloy/
Nickel substrate (2μm)
Gold-plated contacts (0.15μm)

For quantities greater than listed, call for quote.

MOUSER STOCK NO.	Omron Part No.	Fig.	No. of Contacts	Contact Location	Dimensions (mm)				Price Each				Reel Quantity	Price Per Piece
					A	B	C	D	1	25	50	100		
653-XF2L-0425-1A	XF2L-0425-1A	B	4	Top	1.5	5.9	6.9	2.6	.62	.56	.52	.48	3000	.44
653-XF2L-0535-1A	XF2L-0535-1A	B	5	Bottom	2.0	6.4	7.4	3.1	.65	.59	.54	.50	3000	.47
653-XF2L-0625-1A	XF2L-0625-1A	B	6	Top	2.5	6.9	7.9	3.6	.82	.72	.64	.56	3000	.50
653-XF2L-0635-1A	XF2L-0635-1A	B	6	Bottom	2.5	6.9	7.9	3.6	.63	.57	.53	.49	3000	.49
653-XF2L-0825-1A	XF2L-0825-1A	B	8	Top	3.5	7.9	8.9	4.6	.74	.67	.62	.57	3000	.50
653-XF2L-1025-1A	XF2L-1025-1A	B	10	Top	4.5	8.9	9.9	5.6	.81	.73	.67	.62	3000	.54
653-XF2L-1225-1A	XF2L-1225-1A	B	12	Top	5.5	9.9	10.9	6.6	.87	.79	.73	.67	3000	.62
653-XF2L-1235-1A	XF2L-1235-1A	B	12	Bottom	5.5	9.9	10.9	6.6	.87	.79	.73	.67	3000	.67
653-XF2L-1325-1A	XF2L-1325-1A	B	13	Top	6.0	10.4	11.4	7.1	.97	.892	.817	.752	3000	.623
653-XF2L-1335-1A	XF2L-1335-1A	B	13	Bottom	6.0	10.4	11.4	7.1	1.05	.924	.849	.774	3000	.681
653-XF2L-1535-1A	XF2L-1535-1A	B	15	Bottom	7.0	11.4	12.4	8.1	1.05	.85	.77	.73	3000	.642
653-XF2L-1825-1A	XF2L-1825-1A	B	18	Top	8.5	12.9	13.9	9.6	1.04	.957	.871	.806	3000	.698
653-XF2L-1835-1A	XF2L-1835-1A	B	18	Bottom	8.5	12.9	13.9	9.6	.99	.90	.81	.75	3000	.70
653-XF2L-2035-1A	XF2L-2035-1A	B	20	Bottom	9.5	13.9	14.9	10.6	1.03	.94	.86	.79	3000	.69
653-XF2L-2125-1A	XF2L-2125-1A	B	21	Top	10.0	14.4	15.4	11.1	1.22	1.00	.90	.85	3000	.74
653-XF2L-2235-1A	XF2L-2235-1A	B	22	Bottom	10.5	14.9	15.9	11.6	1.26	1.03	.92	.87	3000	.75
653-XF2L-2435-1A	XF2L-2435-1A	B	24	Top	11.5	15.9	16.9	12.6	1.49	1.21	1.08	1.03	3000	.854
653-XF2L-3025-1A	XF2L-3025-1A	B	30	Top	14.5	18.9	19.9	15.6	1.65	1.48	1.30	1.11	3000	.924
653-XF2L-3035-1A	XF2L-3035-1A	B	30	Bottom	14.5	18.9	19.9	15.6	1.35	1.20	1.10	1.02	3000	.95



OMRON XF2M SERIES: 0.50MM PITCH SMT ROTARY BACK-LOCKING CONNECTORS

Specifications:

- Rated current: 0.5A AC/DC
- Rated voltage: 50VAC/DC
- Contact resistance: 50mΩ max. (@ 20mV, 100mA max.)
- Insulation resistance: 100MΩ min. (@ 250VDC)
- Insertion tolerance: 20 times

Features:

- High-reliability, rotary-lock and superior work efficiency
- Short body depth of 5.9mm with slider closed
- Dual contact reduces the number of parts
- Applicable FPC thickness of 0.3mm

Materials:

- Housing material: LCP resin (UL94V-0)/natural
- Contact material: Spring copper alloy/
Nickel substrate (2μm)
Gold-plated contacts (0.15μm)

For quantities greater than listed, call for quote.

MOUSER STOCK NO.	Omron Part No.	Fig.	No. of Contacts	Dimensions (mm)					Price Each				Reel Quantity	Price Per Piece
				A	B	C	D	E	1	25	50	100		
653-XF2M-1015-1A	XF2M-1015-1A	C	10	4.5	5.6	8.5	9.1	7.1	1.10	.98	.87	.78	1500	.62
653-XF2M-1215-1A	XF2M-1215-1A	C	12	5.5	6.6	9.5	10.1	8.1	1.20	1.07	.95	.86	1500	.73
653-XF2M-1415-1A	XF2M-1415-1A	C	14	6.5	7.6	10.5	11.1	9.1	1.25	1.12	.97	.85	1500	.74
653-XF2M-1815-1A	XF2M-1815-1A	C	18	8.5	9.6	12.5	13.1	11.1	1.34	1.19	1.02	.94	1500	.78
653-XF2M-2015-1A	XF2M-2015-1A	C	20	9.5	10.6	13.5	14.1	12.1	1.39	1.24	1.07	.99	1500	.79
653-XF2M-2215-1A	XF2M-2215-1A	C	22	10.5	11.6	14.5	15.1	13.1	1.30	1.17	1.04	.88	1500	.79
653-XF2M-2415-1A	XF2M-2415-1A	C	24	11.5	12.6	15.5	16.1	14.1	1.52	1.36	1.21	1.09	1500	.83
653-XF2M-2615-1A	XF2M-2615-1A	C	26	12.5	13.6	16.5	17.1	15.1	1.58	1.42	1.26	1.14	1500	.90
653-XF2M-3015-1A	XF2M-3015-1A	C	30	14.5	15.6	18.5	19.1	17.1	1.68	1.50	1.32	1.15	1500	.919
653-XF2M-3215-1A	XF2M-3215-1A	C	32	15.5	16.6	19.5	20.1	18.1	1.82	1.64	1.45	1.24	1500	.99
653-XF2M-3315-1A	XF2M-3315-1A	C	33	16.0	17.1	20.0	20.6	18.6	1.87	1.67	1.49	1.34	1500	1.11
653-XF2M-3415-1A	XF2M-3415-1A	C	34	16.5	17.6	20.5	21.1	19.1	1.90	1.71	1.52	1.36	1500	1.03
653-XF2M-3515-1A	XF2M-3515-1A	C	35	17.0	18.1	21.0	21.6	19.6	1.98	1.77	1.58	1.34	1500	1.12
653-XF2M-3615-1A	XF2M-3615-1A	C	36	17.5	18.6	21.5	22.1	20.1	1.87	1.72	1.53	1.30	1500	1.11
653-XF2M-4015-1A	XF2M-4015-1A	C	40	19.5	20.6	23.5	24.1	22.1	2.13	1.90	1.71	1.45	1500	1.20
653-XF2M-4515-1A	XF2M-4515-1A	C	45	22.0	23.1	26.0	26.6	24.6	2.11	1.90	1.69	1.52	1500	1.28
653-XF2M-5015-1A	XF2M-5015-1A	C	50	24.5	25.6	28.5	29.1	27.1	2.52	2.25	1.94	1.75	1500	1.38
653-XF2M-6015-1AH	XF2M-6015-1AH	C	60	29.5	30.6	33.5	34.1	32.1	2.66	2.50	2.22	2.00	1500	1.57

