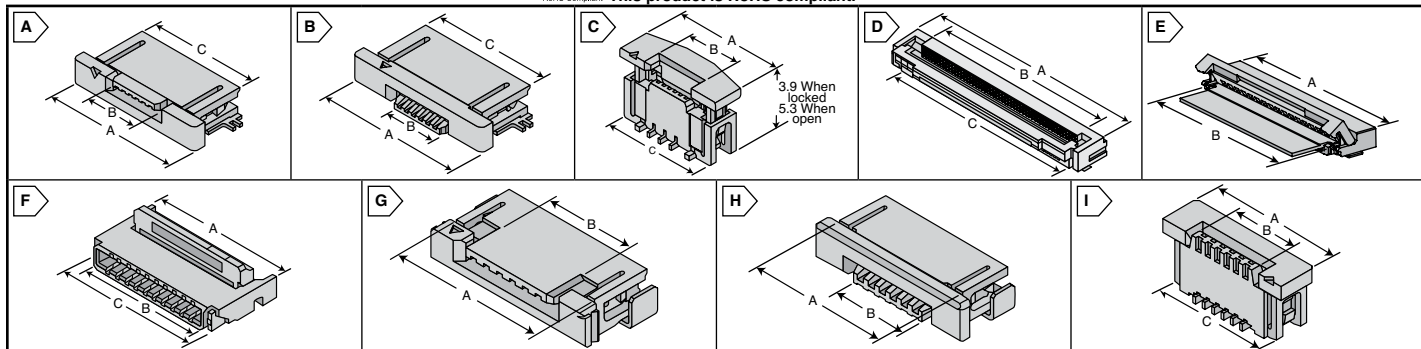


MOLEX FFC/FPC Connectors

molex
one company > a world of innovation

RoHS Compliant This product is RoHS compliant.



0.50MM (.020") PITCH FFC/FPC CONNECTORS

Specifications:

- Voltage: 50V
- Current: 0.5A
- Housing: 4/6 Nylon, UL 94V-0
- Actuator: PPS, UL 94V-0
- Contact: Phosphor Bronze
- Contact Plating: Gold
- Operating Temperature: -20°C to +85°C

Right Angle, SMT, ZIF - Top Contact Style For quantities greater than listed, call for quote.

MOUSER STOCK NO.	Molex Part No.	Fig.	No. of Circuits	Dimensions: in.			Price Each			
				A	B	C	1	10	100	250
538-52745-0697	52745-0697	A	6	.358	.144	.287	1.06	.938	.839	.651
538-52745-0897	52745-0897	A	8	.398	.183	.327	1.00	.873	.78	.703
538-52745-1097	52745-1097	A	10	.437	.222	.366	1.98	1.51	1.21	1.06
538-52745-1297	52745-1297	A	12	.476	.262	.406	1.46	1.28	1.13	1.02
538-52745-1497	52745-1497	A	14	.516	.301	.445	2.05	1.81	1.62	1.25
538-52745-1697	52745-1697	A	16	.555	.341	.484	2.23	1.97	1.76	1.37
538-52745-1897	52745-1897	A	18	.594	.380	.524	1.78	1.55	1.37	1.24
538-52745-2097	52745-2097	A	20	.634	.419	.563	2.33	1.93	1.43	1.25
538-52435-2271	52435-2271	A	22	.693	.459	.614	2.32	2.03	1.80	1.62
538-52435-2471	52435-2471	A	24	.732	.498	.654	2.54	2.23	1.89	1.66
538-52435-2871	52435-2871	A	28	.811	.577	.732	2.56	2.24	1.99	1.79
538-52435-3071	52435-3071	A	30	.850	.616	.772	3.52	3.07	2.73	2.45

Right Angle, SMT, ZIF - Bottom Contact Style

MOUSER STOCK NO.	Molex Part No.	Fig.	No. of Circuits	Dimensions: in.			Price Each			
				A	B	C	1	10	100	250
538-52746-0871	52746-0871	B	8	.398	.138	.327	1.60	1.39	1.24	1.12
538-52746-1071	52746-1071	B	10	.437	.177	.366	2.36	1.81	1.45	1.27
538-52746-1471	52746-1471	B	14	.516	.256	.445	1.69	1.48	1.32	1.18
538-52746-1671	52746-1671	B	16	.555	.295	.484	1.26	1.11	.985	.911
538-52746-2071	52746-2071	B	20	.634	.374	.563	2.43	2.01	1.49	1.30
538-52437-2271	52437-2271	B	22	.693	.413	.614	2.79	2.44	2.17	1.96
538-52437-2471	52437-2471	B	24	.732	.453	.653	3.33	2.75	2.06	1.90
538-52437-2871	52437-2871	B	28	.811	.531	.732	4.04	3.33	2.51	2.29
538-52437-3071	52437-3071	B	30	.850	.571	.772	3.91	3.23	2.42	2.24

Vertical, SMT, ZIF

MOUSER STOCK NO.	Molex Part No.	Fig.	No. of Circuits	Dimensions: in.			Price Each			
				A	B	C	1	10	100	250
538-52559-0853	52559-0853	C	8	.382	.138	.350	1.88	1.64	1.46	1.31
538-52559-1052	52559-1052	C	10	.421	.177	.390	1.62	1.42	1.26	1.11
538-52559-1853	52559-1853	C	18	.579	.335	.547	1.58	1.51	1.41	1.34
538-52559-2052	52559-2052	C	20	.618	.374	.587	3.25	2.69	2.01	1.86
538-52559-2452	52559-2452	C	24	.697	.453	.665	4.01	3.52	2.90	2.47
538-52559-2852	52559-2852	C	28	.776	.531	.744	4.64	4.08	3.36	2.86
538-52559-4052	52559-4052	C	40	1.012	.768	.980	5.57	4.61	3.45	3.19

0.50MM DOUBLE BOTTOM CONTACT FPC CONNECTORS

Specifications:

- ZIF Double Bottom Contact
- Easy-On actuator
- 2.50mm Height
- Contact Plating: Gold

MOUSER STOCK NO.	Molex Part No.	Fig.	No. of Circuits	Dimensions: in.			Price Each			
				A	B	C	1	10	100	250
538-502790-3091	502790-3091	D	30	19.7	14.5	18.1	2.50	2.10	1.74	1.59
538-502790-4091	502790-4091	D	40	24.7	19.5	23.1	2.78	2.51	2.00	1.85
538-502790-6491	502790-6491	D	64	36.7	31.5	35.1	3.81	3.20	2.66	2.43
538-502790-8091	502790-8091	D	80	44.7	39.5	43.1	4.76	4.01	3.32	3.04

LOW PROFILE FFC CONNECTORS

Specifications:

- Housing: LCP Liquid Crystal Polymer
- Mated Height: 1.20mm (.047")
- Mated Width: 3.40mm (.134")
- Pre-hold cable feature keeps FPC in place while actuator is being closed
- Sturdy actuator allows for easy cable insertion
- Metal solder tabs provide PCB hold-down and strain relief for SMT tails

Right Angle, SMT, ZIF - Top Contact Style For quantities greater than listed, call for quote.

MOUSER STOCK NO.	Molex Part No.	Fig.	No. of Circuits	Dimensions: in.			Price Each			
				A	B	C	1	10	100	250
538-54550-0694	54550-0694	A	6	.323	.098	.276	1.40	1.08	1.07	.90
538-54550-0894	54550-0894	A	8	.362	.138	.315	1.53	1.29	1.03	.902
538-54550-1294	54550-1294	A	12	.441	.217	.394	2.28	1.75	1.40	1.26
538-54550-1894	54550-1894	A	18	.559	.335	.412	3.17	2.44	1.95	1.75
538-54550-2094	54550-2094	A	20	.598	.374	.551	2.73	2.30	1.78	1.57
538-54550-2494	54550-2494	A	24	.677	.453	.630	3.46	2.69	2.19	2.02

Right Angle, SMT, ZIF - Bottom Contact Style

MOUSER STOCK NO.	Molex Part No.	Fig.	No. of Circuits	Dimensions: in.			Price Each			
				A	B	C	1	10	100	250
538-54548-0670	54548-0670	B	6	.323	.098	.276	1.42	1.04	.905	.812
538-54548-1270	54548-1270	B	12	.441	.217	.394	2.26	1.67	1.43	1.28
538-54548-1470	54548-1470	B	14	.480	.256	.433	2.51	1.85	1.60	1.43
538-54548-2070	54548-2070	B	20	.598	.374	.551	3.09	2.27	1.96	1.76

EASY-ON™ FRONT-FLIP™ FPC CONNECTORS

Specifications:

- Current: 0.5A
- Voltage: 50V
- Contact Resistance: 40 milliohms
- Withstanding Voltage: 150V AC
- Insulation Resistance: 50 Megohms
- Durability: 20 cycles

0.5mm Bottom Contact, Right Angle, SMT For quantities greater than listed, call for quote.

MOUSER STOCK NO.	Molex Part No.	Fig.	No. of Circuits	Dimensions: in.			Price Each			
				A	B	C	1	10	100	250
538-503366-6011	503366-6011	E	60	34.1	29.5	-	2.26	1.90	1.52	1.33
538-503366-8011	503366-8011	E	80	44.1	39.5	-	2.69	2.37	1.89	1.66

EASY-ON™ BACK-FLIP™ FPC CONNECTORS

Specifications:

- Current: 0.5A
- Voltage: 50V
- Contact Resistance: 100 milliohms max.
- Withstanding Voltage: 200V AC
- Insulation Resistance: 50 Megohms max.
- Durability: 10 cycles
- Temperature: -40°C to +85°C

0.3mm Dual Contact, Right Angle SMT For quantities greater than listed, call for quote.

MOUSER STOCK NO.	Molex Part No.	Fig.	No. of Circuits	Dimensions: in.			Price Each			
				A	B	C	1	10	100	250
538-502598-2391	502598-2391	F	23	.354	.260	.337	2.54	1.75	1.55	1.36
538-502598-2591	502598-2591	F	25	.378	.284	.360	2.77	1.91	1.69	1.49
538-502598-2791	502598-2791	F	27	.402	.307	.384	2.99	2.06	1.83	1.60
538-502598-3391	502598-3391	F	33	.425	.331	.408	3.65	2.53	2.23	1.96

0.5mm Dual Contact, Right Angle SMT For quantities greater than listed, call for quote.

MOUSER STOCK NO.	Molex Part No.	Fig.	No. of Circuits	Dimensions: in.			Price Each			
				A	B	C	1	10	100	250
538-503480-0400	503480-0400	F	4	.146	.098	.51	.59	.55	.475	.424
538-503480-0600	503480-0600	F	6	.185	.138	.59	1.06	.77	.63	.53
538-503480-0800	503480-0800	F	8	.224	.177	.64	.90	.82	.64	.56
538-503480-1000	503480-1000	F	10	.264	.217	.79	1.41	1.02	.83	.70
538-503480-1200	503480-1200	F	12	.303	.256	.89	1.23	1.16	.87	.78
538-503480-1600	503480-1600	F	16	.382	.335	1.11	1.41	1.32	1.11	.97
538-503480-2000	503480-2000	F	20	.461	.413	1.38	1.89	1.63	1.30	1.14

1.00MM (.039") PITCH FFC/FPC CONNECTORS

For 0.30mm thick FFC/FPC. Metal solder tabs provide PCB hold-down and strain relief for SMT tails. ZIF: Zero Insertion Force.

Right Angle, SMT, ZIF - Top Contact Style

Specifications:

- Voltage: 125V
- Current: 1.0A
- Dielectric Withstanding Voltage: 500V AC/1 min.
- Housing: 4/6 Nylon, UL 94V-0
- Actuator: PPS, UL 94V-0
- Contact: Phosphor Bronze
- Plating: Tin
- Solder Tabs: Copper Alloy, Tin plating
- Operating Temperature: -20°C to +85°C

For quantities greater than listed, call for quote.

MOUSER STOCK NO.	Molex Part No.	Fig.	No. of Circuits	Dimensions: in.			Price Each			
				A	B	C	1	10	100	250
538-52207-0885	52207-0885	G	8	.562	.275	-	1.38	1.20	.915	.771
538-52207-1085	52207-1085	G	10	.641	.354	-	1.69	1.37	1.12	.945
538-52207-1285	52207-1285	G	12	.720	.433	-	1.90	1.57	1.16	1.02
538-52207-1485	52207-1485	G	14	.799	.511	-	2.16	1.79	1.32	1.16
538-52207-1885	52207-1885	G	18	.956	.669	-	2.01	1.70	1.36	1.24
538-52207-2085	52207-2085	G	20	1.035	.748	-	2.85	2.18	1.74	1.53

Right Angle, SMT, ZIF - Bottom Contact Style

Specifications:

- Voltage: 50V
- Current: 0.5A
- Dielectric Withstanding Voltage: 500V AC/1 min.
- Housing: 4/6 Nylon, UL 94V-0
- Actuator: PPS, UL 94V-0
- Contact: Phosphor Bronze
- Plating: Tin
- Solder Tabs: Copper Alloy, Tin plating
- Operating Temperature: -20°C to +85°C

For quantities greater than listed, call for quote.

MOUSER STOCK NO.	Molex Part No.	Fig.	No. of Circuits	Dimensions: in.			Price Each			
				A	B	C	1	10	100	250
538-52271-0679	52271-0679	H	6	.433	.197	-	1.27	.98	.89	.75
538-52271-0879	52271-0879	H	8	.511	.275	-	1.06	.99	.932	.874
538-52271-1079	52271-1079	H	10	.590	.354	-	1.18	.99	.862	.84
538-52271-1479	52271-1479	H	14	.748	.511	-	1.71	1.49	1.17	1.07
538-52271-1879	52271-1879	H	18	.905	.669	-	1.67	1.58	1.40	1.23
538-52271-2079	52271-2079	H	20	.984	.748	-	2.19	1.86	1.49	1.31
538-52271-2279	52271-2279	H	22	1.062	.827	-	1.55	1.30	1.12	1.07
538-52271-2479	52271-2479	H	24	1.141	.906	-	2.35	1.95	1.69	1.48
538-52271-2879	52271-2879	H	28	1.299	1.060	-	2.44	2.19	1.85	