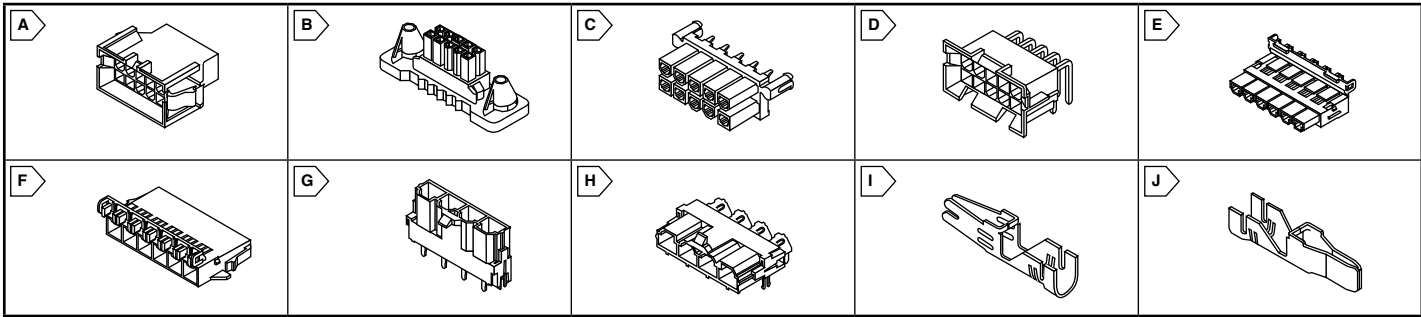


MOLEX Mini-Fit® BMI and Mini-Fit Sr.™ Connectors

molex
one company > a world of innovation

RoHS Compliant **This product is RoHS compliant.**



MINI-FIT® BMI (BLIND MATING SYSTEM) CONNECTORS

- Features:**
- Fully isolated terminals to protect contacts from damage
 - Uses standard Mini-Fit® series terminals on previous page
 - Dual Row
- Specifications:**
- Housing: 6/6 Nylon
 - 600V rating
 - Temperature: -40°C to +105°C
 - Pitch: 4.20mm (.165")



Plugs - Dual Row

• RoHS Compliant per Molex documentation

For quantities greater than listed, call for quote.

MOUSER STOCK NO.	Molex Part No.	Fig.	No. of Circuits	Price Each			
				1	10	100	500
With Panel Mount Ears, UL94V-2, 42475 Series							
538-15-06-0045	15-06-0045	A	4	.68	.42	.37	.30
538-15-06-0065	15-06-0065	A	6	.85	.49	.43	.34
538-15-06-0085	15-06-0085	A	8	1.00	.56	.41	.39
538-15-06-0105	15-06-0105	A	10	1.06	.59	.43	.41
538-15-06-0145	15-06-0145	A	14	1.05	.90	.586	.555
538-15-06-0185	15-06-0185	A	18	1.92	1.70	1.13	.953
538-15-06-0245	15-06-0245	A	24	1.96	1.35	1.05	.963

Receptacles - Dual Row

• RoHS Compliant per Molex documentation

MOUSER STOCK NO.	Molex Part No.	Fig.	No. of Circuits	Price Each			
				1	10	100	500
With Panel Mount Ears, UL94V-2, 42474 Series							
538-15-06-0040	15-06-0040	B	4	.95	.56	.49	.39
538-15-06-0060	15-06-0060	B	6	1.08	.75	.50	.40
538-15-06-0080	15-06-0080	B	8	1.13	.87	.66	.53
538-15-06-0100	15-06-0100	B	10	1.21	1.00	.60	.57
538-15-06-0140	15-06-0140	B	14	.85	.836	.823	.81
538-15-06-0180	15-06-0180	B	18	1.74	1.20	.938	.858
538-15-06-0240	15-06-0240	B	24	2.59	1.79	1.59	1.27
538-43760-0001	43760-0001	B	36	5.20	4.30	3.23	2.69
With Panel Mount Ears, UL94V-0, 42474 Series							
538-15-06-0041	15-06-0041	B	4	.94	.80	.656	.525
538-15-06-0061	15-06-0061	B	6	1.34	.88	.798	.638
538-15-06-0101	15-06-0101	B	10	1.52	1.00	.90	.72
538-15-06-0141	15-06-0141	B	14	2.33	2.05	1.36	1.09
538-15-06-0181	15-06-0181	B	18	2.44	1.68	1.50	1.20
538-15-06-0241	15-06-0241	B	24	4.51	3.77	2.65	2.12

Terminals

For quantities greater than listed, call for quote.

MOUSER STOCK NO.	Molex Part No.	Fig.	AWG	Price Each			
				1	100	500	1000
538-39-00-0096	39-00-0096	---	16	.63	.362	.34	.30
538-39-00-0062	39-00-0062	---	18-24	.34	.14	.124	.12

PCB HEADERS

For quantities greater than listed, call for quote.

MOUSER STOCK NO.	Molex Part No.	Fig.	No. of Circuits	Contact Plating	Price Each			
					1	10	100	500
Receptacle Headers, Vertical, UL94V-2, 42385 Series								
538-15-24-7040	15-24-7040	C	4	Tin	1.47	1.14	.73	.69
538-15-24-7060	15-24-7060	C	6	Tin	2.10	1.76	1.30	1.04
538-15-24-7100	15-24-7100	C	10	Tin	2.54	2.11	1.36	1.25
538-15-24-7140	15-24-7140	C	14	Tin	2.94	2.03	1.58	1.44
538-15-24-7180	15-24-7180	C	18	Tin	4.38	3.62	2.72	2.26
538-15-24-7240	15-24-7240	C	24	Tin	4.91	3.38	2.80	2.53
Receptacle Headers, Vertical, UL94V-0, 42385 Series								
538-15-24-7061	15-24-7061	C	6	Tin	2.01	1.38	1.08	.988
538-15-24-7101	15-24-7101	C	10	Tin	3.30	2.98	2.33	1.86
538-15-24-7141	15-24-7141	C	14	Tin	3.32	2.28	1.89	1.71
538-15-24-7241	15-24-7241	C	24	Tin	5.54	3.82	3.43	2.86
Right Angle Headers, UL94V-2, 42404 Series								
538-15-24-6040	15-24-6040	D	4	Tin	.79	.777	.765	.753
538-15-24-6060	15-24-6060	D	6	Tin	2.74	2.42	1.61	1.29
538-15-24-6140	15-24-6140	D	14	Tin	4.13	3.44	2.81	2.24
538-15-24-6180	15-24-6180	D	18	Tin	3.89	2.68	2.41	2.01
538-15-24-6240	15-24-6240	D	24	Tin	5.36	5.17	4.52	3.64

PCB HEADERS (CONT.)

For quantities greater than listed, call for quote.

MOUSER STOCK NO.	Molex Part No.	Fig.	No. of Circuits	Contact Plating	Price Each			
					1	10	100	500
Right Angle Headers, UL94V-0, 42404 Series								
538-15-24-9064	15-24-9064	D	6	Tin	2.12	1.77	1.31	1.05
538-15-24-9104	15-24-9104	D	10	Tin	3.18	2.64	1.95	1.56
538-15-24-9144	15-24-9144	D	14	Tin	3.54	2.93	2.19	1.83
538-15-24-9244	15-24-9244	D	24	Tin	5.93	4.08	3.39	3.06

MINI-FIT, SR.™ CONNECTORS - 10.00MM (.393") PITCH

- Features:**
- High Current
 - Fully polarized
 - Positive Locks
 - Low engagement force
 - Wire-to-wire, wire-to-board
- Specifications:**
- Plating: Tin over Nickel
 - Contact: Copper Alloy
 - Receptacles/Plugs: Polyester, UL94V-0
 - Headers: Glass-filled, 4/6 Nylon, UL94V-0
 - Voltage: 600V
 - Temperature: -40°C to +105°C

For quantities greater than listed, call for quote.

MOUSER STOCK NO.	Molex Part No.	Fig.	No. of Circuits	Price Each			
				1	10	100	500
Receptacles, 42816 Series							
538-42816-0212	42816-0212	E	2	1.48	1.06	.73	.69
538-42816-0312	42816-0312	E	3	1.79	1.17	.89	.84
538-42816-0412	42816-0412	E	4	1.69	1.29	.90	.83
538-42816-0512	42816-0512	E	5	1.59	1.09	.85	.781
538-42816-0612	42816-0612	E	6	1.73	1.19	.93	.85
Plugs, 42818 Series							
538-42818-0212	42818-0212	F	2	1.65	1.08	.82	.78
538-42818-0312	42818-0312	F	3	1.86	1.44	.93	.88
538-42818-0412	42818-0412	F	4	1.63	1.22	.95	.87
538-42818-0512	42818-0512	F	5	1.21	1.17	1.01	.93
538-42818-0612	42818-0612	F	6	1.53	1.48	1.14	1.04
Vertical Header with Metal Clip Mount, SMT, 42819 Series							
538-42819-2212	42819-2212	G	2	2.79	2.31	1.49	1.37
538-42819-3212	42819-3212	G	3	3.00	2.67	2.25	2.21
538-42819-4212	42819-4212	G	4	3.71	3.14	2.12	1.91
538-42819-5212	42819-5212	G	5	5.03	4.16	3.12	2.60
538-42819-6212	42819-6212	G	6	4.04	3.91	3.37	3.11
Right Angle Header with Metal Clip Mount, SMT, 42820 Series							
538-42820-2212	42820-2212	H	2	3.36	2.77	1.92	1.73
538-42820-3212	42820-3212	H	3	3.45	3.34	2.59	2.34
538-42820-4212	42820-4212	H	4	5.45	4.51	3.11	2.81
538-42820-5212	42820-5212	H	5	4.07	3.94	3.69	3.27
538-42820-6212	42820-6212	H	6	6.55	6.35	5.46	5.04

MINI-FIT, SR.™ TERMINALS

- High Current
- Low Engagement Force
- Female: four points of electrical contact

For quantities greater than listed, call for quote.

MOUSER STOCK NO.	Molex Part No.	Fig.	Wire Size AWG	Price Each			
				1	100	500	1000
Female, 42815 Series - Tin							
538-42815-0011	42815-0011	I	10-12	.36	.271	.25	.232
538-42815-0031	42815-0031	I	8	.61	.34	.33	.29
538-42815-0041	42815-0041	I	14-16	.54	.409	.348	.298
Female - Select Gold							
538-42815-0012	42815-0012	I	10-12	.90	.69	.56	.465
538-42815-0042	42815-0042	I	14-16	.66	.463	.417	.372
Male, 42817 Series - Tin							
538-42817-0011	42817-0011	J	10-12	.45	.393	.327	.268
538-42817-0031	42817-0031	J	8	.48	.43	.355	.286
538-42817-0041	42817-0041	J	14-16	.49	.43	.39	.35
Male - Select Gold							
538-42817-0012	42817-0012	J	10-12	1.88	1.22	.977	.962
538-42817-0042	42817-0042	J	14-16	1.88	1.22	.977	.962

TOOLS FOR MINI-FIT, SR.™

MOUSER STOCK NO.	Molex Part No.	Description	Price Each
538-63811-1500	63811-1500	Hand Crimp Tool 8 AWG	316.02
538-63811-1600	63811-1600	Hand Crimp Tool 10-12 AWG	367.20
538-63813-0400	63813-0400	Extraction Tool	63.00
538-63811-3800	63811-3800	Hand Crimp Tool	316.00

Molex Rectangular Connectors