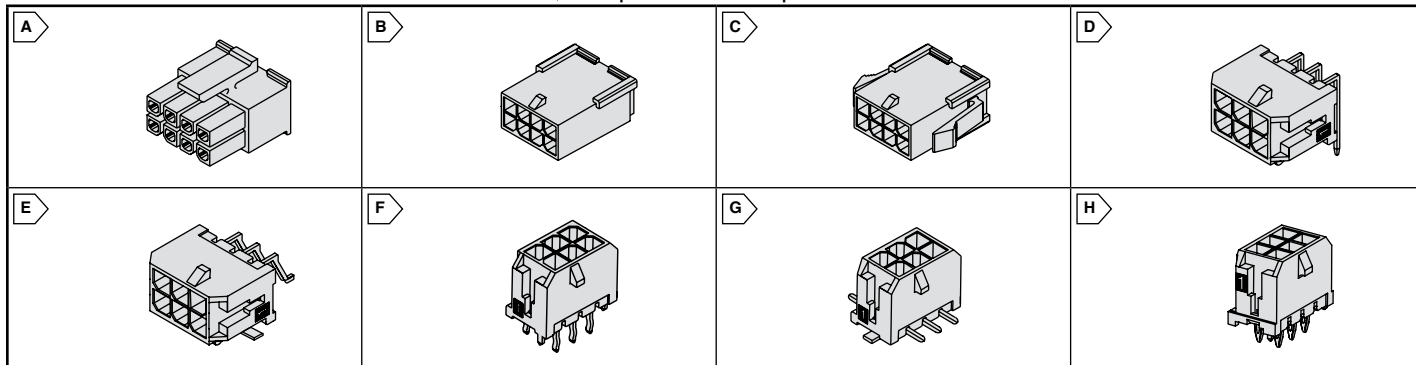


# MOLEX Micro-Fit 3.0™ Connectors

RoHS Compliant This product is RoHS compliant.

**molex**  
one company > a world of innovation



## DUAL ROW CONNECTORS



### Specifications:

- 3.00mm Pitch
- Fully isolated contacts
- Full polarization
- Positive locks
- Surface Mount Compatible
- Up to 5.0A per circuit
- 250V AC rating
- UL 94V-0, CSA TUV approved

For quantities greater than listed, call for quote.

MOUSER STOCK NO.	Molex Part No.	Fig.	No. of Circuits	Plating	Price Each		
					1	10	100
<b>Crimp Housing Receptacles - Use With 43030 Terminals</b>							
538-43025-0200	43025-0200	A	2	-	.64	.29	.20
538-43025-0400	43025-0400	A	4	-	.86	.39	.30
538-43025-0600	43025-0600	A	6	-	.80	.40	.27
538-43025-0800	43025-0800	A	8	-	.84	.50	.33
538-43025-1000	43025-1000	A	10	-	.98	.58	.39
538-43025-1200	43025-1200	A	12	-	1.16	.69	.46
538-43025-1400	43025-1400	A	14	-	1.19	.86	.59
538-43025-1600	43025-1600	A	16	-	1.28	.84	.64
538-43025-1800	43025-1800	A	18	-	1.44	.94	.85
538-43025-2000	43025-2000	A	20	-	1.30	.93	.64
538-43025-2200	43025-2200	A	22	-	1.75	1.15	1.03
538-43025-2400	43025-2400	A	24	-	1.58	1.44	1.07
<b>Crimp Housing Plugs - Free Hanging - Use With 43031 Terminals</b>							
538-43020-0201	43020-0201	B	2	-	.64	.29	.20
538-43020-0401	43020-0401	B	4	-	.68	.31	.21
538-43020-0601	43020-0601	B	6	-	.82	.38	.25
538-43020-0801	43020-0801	B	8	-	.81	.43	.32
538-43020-1001	43020-1001	B	10	-	.85	.756	.497
538-43020-1201	43020-1201	B	12	-	1.11	.77	.44
538-43020-1401	43020-1401	B	14	-	.99	.65	.58
538-43020-1601	43020-1601	B	16	-	1.15	.75	.67
538-43020-1801	43020-1801	B	18	-	.83	.74	.49
538-43020-2001	43020-2001	B	20	-	1.07	.945	.774
538-43020-2201	43020-2201	B	22	-	1.18	1.04	.783
538-43020-2401	43020-2401	B	24	-	1.72	1.12	1.01
<b>Crimp Housing Plugs - Panel Mount - Use With 43031 Terminals</b>							
538-430200200	43020-0200	C	2	-	.64	.29	.20
538-43020-0400	43020-0400	C	4	-	.54	.25	.17
538-43020-0600	43020-0600	C	6	-	.79	.42	.31
538-43020-0800	43020-0800	C	8	-	.90	.48	.36
538-43020-1000	43020-1000	C	10	-	1.05	.56	.42
538-43020-1200	43020-1200	C	12	-	1.24	.66	.49
538-43020-1400	43020-1400	C	14	-	1.11	.72	.65
538-43020-1600	43020-1600	C	16	-	1.28	.84	.75
538-43020-1800	43020-1800	C	18	-	1.18	.94	.85
538-43020-2000	43020-2000	C	20	-	1.60	1.05	.799
538-43020-2200	43020-2200	C	22	-	1.86	1.22	1.10
538-43020-2400	43020-2400	C	24	-	1.45	1.13	.88
<b>Right Angle Headers - Snap-in-Peg Locks</b>							
538-43045-0200	43045-0200	D	2	Tin	1.15	.89	.57
538-43045-0400	43045-0400	D	4	Tin	1.82	1.41	1.07
538-43045-0600	43045-0600	D	6	Tin	1.97	1.63	1.21
538-43045-0800	43045-0800	D	8	Tin	2.00	1.66	1.23
538-43045-1000	43045-1000	D	10	Tin	2.34	1.94	1.44
538-43045-1200	43045-1200	D	12	Tin	2.55	2.37	1.93
538-43045-1400	43045-1400	D	14	Tin	3.04	2.52	1.87
538-43045-1600	43045-1600	D	16	Tin	3.03	2.59	2.54
538-43045-1800	43045-1800	D	18	Tin	3.40	3.34	3.10
538-43045-2000	43045-2000	D	20	Tin	3.79	3.73	3.44
538-43045-2200	43045-2200	D	22	Tin	4.16	4.09	3.52
538-43045-2400	43045-2400	D	24	Tin	4.54	4.46	4.14
538-43045-0202	43045-0202	D	2	30µ" Gold	1.74	1.35	1.03
538-43045-0402	43045-0402	D	4	30µ" Gold	2.04	1.69	1.25
538-43045-0602	43045-0602	D	6	30µ" Gold	2.80	2.39	1.72
538-43045-0802	43045-0802	D	8	30µ" Gold	3.15	2.62	1.69
538-43045-1002	43045-1002	D	10	30µ" Gold	3.29	2.72	1.88
538-43045-1202	43045-1202	D	12	30µ" Gold	4.24	3.50	2.63
538-43045-1402	43045-1402	D	14	30µ" Gold	5.03	4.35	3.57
538-43045-1602	43045-1602	D	16	30µ" Gold	7.40	6.51	4.34
538-43045-1802	43045-1802	D	18	30µ" Gold	5.36	5.05	4.34
538-43045-2002	43045-2002	D	20	30µ" Gold	8.50	7.49	4.99
538-43045-2202	43045-2202	D	22	30µ" Gold	6.56	4.52	4.07
538-43045-2402	43045-2402	D	24	30µ" Gold	7.16	4.93	4.44

For quantities greater than listed, call for quote.

MOUSER STOCK NO.	Molex Part No.	Fig.	No. of Circuits	Plating	Price Each		
					1	10	100
<b>Right Angle Headers - SMT - Solder Tabs</b>							
538-43045-0209	43045-0209	E	2	Tin	2.51	1.73	1.54
538-43045-0409	43045-0409	E	4	Tin	2.70	2.10	1.87
538-43045-0609	43045-0609	E	6	Tin	3.00	2.16	1.90
538-43045-0809	43045-0809	E	8	Tin	4.01	3.49	3.19
538-43045-1009	43045-1009	E	10	Tin	5.87	2.84	2.55
538-43045-1209	43045-1209	E	12	Tin	6.83	3.13	2.81
538-43045-0211	43045-0211	E	2	30µ" Gold	3.13	2.73	2.61
538-43045-0411	43045-0411	E	4	30µ" Gold	3.52	2.50	2.25
538-43045-0611	43045-0611	E	6	30µ" Gold	4.06	3.94	3.25
538-43045-0811	43045-0811	E	8	30µ" Gold	3.85	3.74	3.21
538-43045-1011	43045-1011	E	10	30µ" Gold	8.24	3.98	3.58
538-43045-1211	43045-1211	E	12	30µ" Gold	6.47	4.46	4.01
<b>Vertical Headers - Thru-hole - Offset Terminal Retention</b>							
538-43045-0212	43045-0212	F	2	Tin	1.24	.87	.49
538-43045-0412	43045-0412	F	4	Tin	1.25	.97	.74
538-43045-0612	43045-0612	F	6	Tin	1.63	1.35	1.00
538-43045-0812	43045-0812	F	8	Tin	1.65	1.37	1.01
538-43045-1012	43045-1012	F	10	Tin	1.94	1.60	1.19
538-43045-1212	43045-1212	F	12	Tin	2.45	2.07	1.44
538-43045-1412	43045-1412	F	14	Tin	2.52	2.09	1.55
538-43045-1612	43045-1612	F	16	Tin	2.80	2.75	1.72
538-43045-1812	43045-1812	F	18	Tin	3.15	2.18	1.93
538-43045-2012	43045-2012	F	20	Tin	3.13	3.08	2.61
538-43045-2212	43045-2212	F	22	Tin	5.12	3.84	3.13
538-43045-2412	43045-2412	F	24	Tin	3.75	3.69	3.41
538-43045-0214	43045-0214	F	2	30µ" Gold	1.43	1.10	.84
538-43045-0414	43045-0414	F	4	30µ" Gold	1.95	1.53	1.21
538-43045-0614	43045-0614	F	6	30µ" Gold	2.15	2.01	1.60
538-43045-0814	43045-0814	F	8	30µ" Gold	2.08	2.04	1.85
538-43045-1014	43045-1014	F	10	30µ" Gold	3.06	2.54	1.64
538-43045-1214	43045-1214	F	12	30µ" Gold	3.13	2.62	1.79
538-43045-1414	43045-1414	F	14	30µ" Gold	3.54	3.48	3.22
538-43045-1614	43045-1614	F	16	30µ" Gold	3.94	3.87	3.58
538-43045-1814	43045-1814	F	18	30µ" Gold	6.86	5.89	4.03
538-43045-2014	43045-2014	F	20	30µ" Gold	8.24	6.98	4.98
538-43045-2214	43045-2214	F	22	30µ" Gold	8.71	7.73	5.14
538-43045-2414	43045-2414	F	24	30µ" Gold	9.16	8.08	5.39
<b>Vertical Headers - SMT - Solder Tabs</b>							
538-43045-0218	43045-0218	G	2	Tin	2.20	1.71	1.52
538-43045-0418	43045-0418	G	4	Tin	3.11	2.57	1.90
538-43045-0618	43045-0618	G	6	Tin	3.12	2.69	1.99
538-43045-0818	43045-0818	G	8	Tin	3.32	2.29	2.06
538-43045-1018	43045-1018	G	10	Tin	3.66	2.52	2.27
538-43045-1218	43045-1218	G	12	Tin	3.96	2.75	2.48
538-43045-0220	43045-0220	G	2	30µ" Gold	2.96	2.91	2.27
538-43045-0420	43045-0420	G	4	30µ" Gold	3.08	3.03	2.74
538-43045-0620	43045-0620	G	6	30µ" Gold	3.83	3.16	2.37
538-43045-0820	43045-0820	G	8	30µ" Gold	4.45	3.68	2.83
538-43045-1020	43045-1020	G	10	30µ" Gold	4.20	4.12	3.13
538-43045-1220	43045-1220	G	12	30µ" Gold	9.35	3.80	3.42
<b>MICRO-FIT CPI™ (COMPLIANT PIN INTERFACE)</b>							
For quantities greater than listed, call for quote.							
MOUSER STOCK NO.	Molex Part No.	Fig.	No. of Circuits	Plating	Price Each		
					1	10	100
<b>Vertical Headers - Press-Fit - Solderless</b>							
538-44914-0201	44914-0201	H	2	Tin	1.63	1.49	1.35
538-44914-0401	44914-0401	H	4	Tin	2.12	2.10	2.09
538-44914-0601	44914-0601	H	6	Tin	3.22	2.97	2.67
538-44914-0801	44914-0801	H	8	Tin	3.27	3.08	2.92
538-44914-1001	44914-1001	H	10	Tin	4.61	4.25	3.83
538-44914-1201	44914-1201	H	12	Tin	5.32	4.89	4.40

Rectangular Connectors Molex