

MOLEX MicroClasp™ Connectors

molex
one company a world of innovation

MOLEX 2.0MM (.079") RECEPTACLES AND HEADERS DUAL ROW - WIRE-TO-BOARD

The original application for the MicroClasp™ connector system was Pachinko (gaming) machines. Most of these machines previously used 2.50mm pitch WTB systems with outer positive locks. As pachinko boards became higher density with more functions, makers were looking for a smaller connector that was also easy to install. Easy installation is important because new game upgrades on daughterboard modules would be installed on-site by pachinko parlor employees. Molex developed the 2.0mm MicroClasp™ system to meet these various needs. Notches would sometimes have to be cut into panels to accommodate the old 2.50mm pitch outer-style positive lock types, but not with MicroClasp™. The smaller pitch and inner positive lock saved space and are easy to actuate in high density areas. And a unique low insertion force terminal makes it easy for operators to insert/extract connectors. In addition, MicroClasp™ is among the smallest of its kind to carry 3.0Amps as most 2.0mm pitch systems can only accommodate 2.0Amps. The extra signal power and space savings is important so Pachinko makers and other equipment makers can offer more high-end graphics/sound/etc in smaller spaces.

Features:

- Two point contact design for greater reliability
- Locking tang on contact for secure retention to the housing
- Positive lock on the housing assures secure retention when mated to a header
- Polarized mating geometry assures housings cannot be mated to headers
- Headers fully shrouded to protect pins
- Lead-free plating
- Headers - through hole mounting

Electrical:

- Current: 3.0A max.
- Voltage: 250V

Physical:

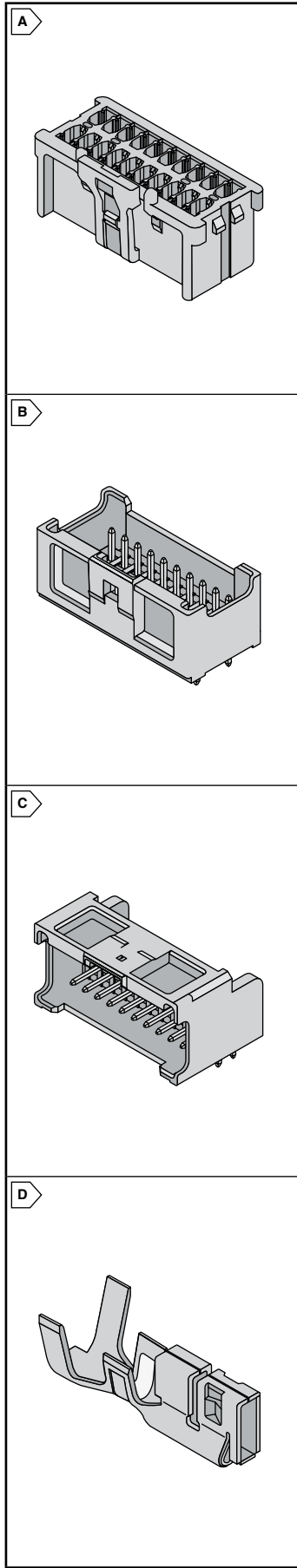
- Receptacles/Headers: White, Nylon 6/6, UL 94V-0
- Pin: Brass
- Plating: Lead-free Tin
- Operating Temperature: -25°C to +85°C

Applications:

- Coin Operated Devices
- Power Tools
- Alarms/Security systems
- Washers/Dryers
- Medical (Hospital beds, Patient monitors)
- HVAC
- Power supplies
- Exercise equipment

For quantities greater than listed, call for quote.

MOUSER STOCK NO.	Molex Part No.	Fig.	No. of Contacts	Overall Length (in.)	First-to-Last Circuit (in.)	Price Each				
						1	10	25	50	100
Receptacle Housings										
538-51353-0800	51353-0800	A	8	0.449	0.236	.75	.45	.34	.31	.26
538-51353-1000	51353-1000	A	10	0.528	0.315	.89	.55	.41	.36	.31
538-51353-1200	51353-1200	A	12	0.606	0.394	.76	.53	.45	.41	.35
538-51353-1400	51353-1400	A	14	0.685	0.472	.89	.62	.53	.48	.41
538-51353-1600	51353-1600	A	16	0.764	0.551	1.01	.70	.60	.54	.47
538-51353-1800	51353-1800	A	18	0.843	0.630	1.14	.797	.682	.614	.534
538-51353-2000	51353-2000	A	20	0.921	0.709	.96	.74	.69	.63	.56
538-51353-2200	51353-2200	A	22	1.000	0.787	.74	.65	.606	.501	.501
538-51353-2400	51353-2400	A	24	1.079	0.866	.84	.77	.731	.604	.561
538-51353-2600	51353-2600	A	26	1.157	0.945	1.01	.95	.909	.886	.862
538-51353-2800	51353-2800	A	28	1.236	1.024	.92	.83	.791	.733	.71
538-51353-3000	51353-3000	A	30	1.315	1.102	1.14	1.12	1.10	1.08	.816
538-51353-3200	51353-3200	A	32	1.394	1.181	1.12	1.07	1.02	.804	.772
538-51353-3400	51353-3400	A	34	1.472	1.260	1.49	1.42	1.36	1.32	1.00
538-51353-3600	51353-3600	A	36	1.551	1.339	1.53	1.46	1.38	1.32	1.26
538-51353-3800	51353-3800	A	38	1.630	1.417	1.90	1.58	1.46	1.31	1.17
538-51353-4000	51353-4000	A	40	1.709	1.437	1.37	1.32	1.25	1.19	1.13
Vertical Headers										
538-55917-0810	55917-0810	B	8	0.449	0.236	.48	.419	.391	.357	.328
538-55917-1010	55917-1010	B	10	0.528	0.315	.50	.44	.423	.337	.298
538-55917-1210	55917-1210	B	12	0.606	0.394	.73	.566	.516	.475	.43
538-55917-1410	55917-1410	B	14	0.685	0.472	.62	.463	.431	.394	.43
538-55917-1610	55917-1610	B	16	0.764	0.551	.72	.582	.528	.491	.473
538-55917-1810	55917-1810	B	18	0.843	0.630	.92	.90	.88	.858	.649
538-55917-2010	55917-2010	B	20	0.921	0.709	1.00	.97	.935	.891	.627
538-55917-2210	55917-2210	B	22	1.000	0.787	1.01	.98	.94	.90	.83
538-55917-2410	55917-2410	B	24	1.079	0.866	.90	.85	.814	.77	.704
538-55917-2610	55917-2610	B	26	1.157	0.945	1.84	1.80	1.79	1.78	1.77
538-55917-2810	55917-2810	B	28	1.236	1.024	1.87	1.55	1.35	1.29	1.15
538-55917-3010	55917-3010	B	30	1.315	1.102	1.49	1.46	1.25	1.07	1.04
538-55917-3210	55917-3210	B	32	1.394	1.181	1.99	1.83	1.75	1.67	1.31
538-55917-3410	55917-3410	B	34	1.472	1.260	1.99	1.83	1.75	1.67	1.31
538-55917-3610	55917-3610	B	36	1.551	1.339	2.06	1.91	1.83	1.75	1.66
538-55917-3810	55917-3810	B	38	1.630	1.417	2.06	1.91	1.83	1.81	1.66
538-55917-4010	55917-4010	B	40	1.709	1.496	2.06	1.91	1.83	1.81	1.66
Right-Angle Headers										
538-55959-0830	55959-0830	C	8	0.449	0.236	.76	.728	.694	.656	.588
538-55959-1030	55959-1030	C	10	0.528	0.315	.85	.78	.731	.678	.657
538-55959-1230	55959-1230	C	12	0.606	0.394	1.04	.98	.943	.901	.795
538-55959-1430	55959-1430	C	14	0.685	0.472	1.30	1.17	1.08	.858	.742
538-55959-1630	55959-1630	C	16	0.764	0.551	1.02	.91	.858	.71	.689
538-55959-1830	55959-1830	C	18	0.843	0.630	1.28	1.22	1.17	.996	.932
538-55959-2030	55959-2030	C	20	0.921	0.709	1.05	.97	.933	.779	.726
538-55959-2230	55959-2230	C	22	1.000	0.787	1.38	1.29	1.24	.964	.911
538-55959-2430	55959-2430	C	24	1.079	0.866	1.35	1.28	1.22	.947	.907
538-55959-2630	55959-2630	C	26	1.157	0.945	1.57	1.53	1.48	1.43	1.39
538-55959-2830	55959-2830	C	28	1.236	1.024	1.64	1.61	1.57	1.53	1.48
538-55959-3030	55959-3030	C	30	1.315	1.102	2.54	2.51	2.48	2.44	2.37
538-55959-3230	55959-3230	C	32	1.394	1.181	1.89	1.84	1.81	1.77	1.74
538-55959-3430	55959-3430	C	34	1.472	1.260	1.89	1.84	1.81	1.17	1.13
538-55959-3630	55959-3630	C	36	1.551	1.339	2.10	2.07	2.04	2.02	1.97
538-55959-4030	55959-4030	C	40	1.709	1.496	2.48	2.36	1.70	1.61	1.55



Molex Rectangular Connectors

Contact - Female



Tool

For quantities greater than listed, call for quote.

For quantities greater than listed, call for quote.

MOUSER STOCK NO.	Molex Part No.	Fig.	Description	Price Each			
				1	100	500	1000
538-56134-9100	56134-9100	D	22-28AWG	.07	.055	.054	.053

MOUSER STOCK NO.	Molex Part No.	Description	Price Each
538-63811-6300	63811-6300	Hand Crimper	296.26