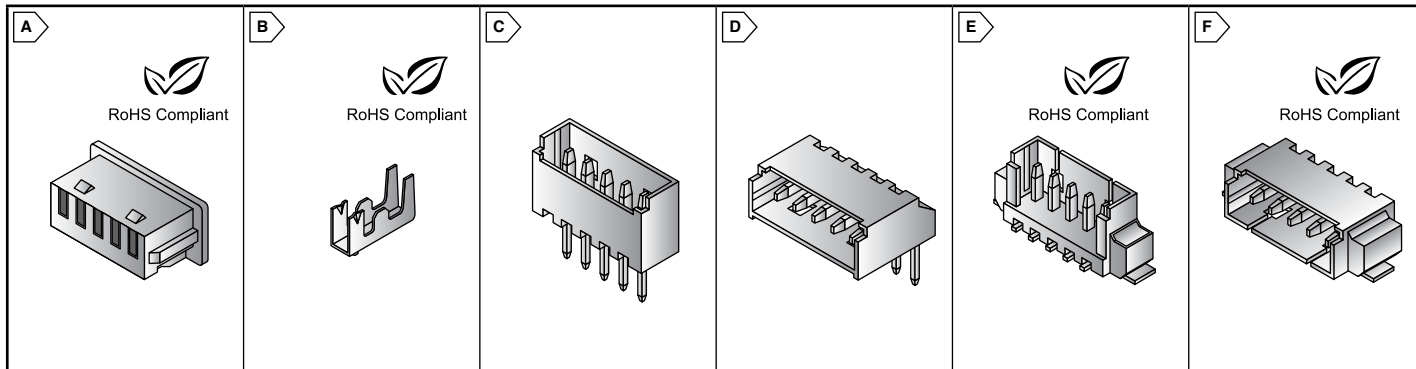


MOLEX PicoBlade™ 1.25mm (.049") Connectors

molex
one company > a world of innovation



The 1.25mm (.049") pitch PicoBlade™ system is designed for high-density harness applications. It saves about 45% of PCB space compared to typical 2.00mm wire to board systems.

WIRE-TO-WIRE AND WIRE-TO-BOARD RECEPTACLES

- Features:**
- Series 51021
 - Housing lance provides extra terminal retention
 - Friction locks provide secure mating
 - Use with Series 50079/50058
 - Mates with Series 53398, 53261, 53047, and 53048

- Specifications:**
- Voltage: 125V
 - Current: 1.0A, 32AWG: 0.8A
 - Operating Temperature: -40°C to +85°C
 - Housing: PBTP, UL 94V-0

For quantities greater than listed, call for quote.

MOUSER STOCK NO.	Molex Part No.	Fig.	No. of Circuits	Price Each			
				1	10	100	500
538-51021-0200	51021-0200	A	2	.61	.264	.157	.146
538-51021-0300	51021-0300	A	3	.56	.231	.175	.159
538-51021-0400	51021-0400	A	4	.75	.31	.23	.21
538-51021-0500	51021-0500	A	5	.87	.358	.272	.247
538-51021-0600	51021-0600	A	6	.69	.371	.275	.261
538-51021-0700	51021-0700	A	7	.76	.409	.302	.288
538-51021-0800	51021-0800	A	8	.83	.44	.331	.314
538-51021-0900	51021-0900	A	9	.80	.481	.321	.305
538-51021-1000	51021-1000	A	10	.87	.51	.34	.32
538-51021-1100	51021-1100	A	11	1.04	.56	.41	.394
538-51021-1200	51021-1200	A	12	.99	.59	.39	.37
538-51021-1400	51021-1400	A	14	1.25	.67	.49	.47
538-51021-1500	51021-1500	A	15	.99	.65	.49	.47

Female Crimp Terminals

- Features:**
- Use with 51021 Series
 - Locking tang secures terminal in housing

- Specifications:**
- Material: Phosphor Bronze
 - Plating: Tin

For quantities greater than listed, call for quote.

MOUSER STOCK NO.	Molex Part No.	Fig.	Wire Size AWG	Price Each			
				1	100	500	1000
538-50058-8000	50058-8000	B	28-32 (Reel)	.32	.064	.052	.037
538-50058-8100	50058-8100	B	28-32 (Bulk)	.32	.163	.148	.133
538-50079-8000	50079-8000	B	26-28 (Reel)	.11	.044	.04	.035
538-50079-8100	50079-8100	B	26-28 (Bulk)	.16	.143	.112	.106

Tools

For quantities greater than listed, call for quote.

MOUSER STOCK NO.	Molex Part No.	Description	Price Each
538-63819-0300	63819-0300	Hand Crimper for 1.25mm, 26-32AWG	237.01
538-11-03-0043	11-03-0043	Extraction Tool-contact	16.20
538-11-03-0045	11-03-0045	Extraction Tool-housing	250.17

PCB HEADERS

- Features:**
- Series 53047
 - Locking windows provide secure mating
 - Mates with Series 51021
 - Wire-to-Board

- Specifications:**
- Contact: Phosphor Bronze
 - Plating: Tin
 - Housing: 6/6 Nylon, UL 94V-0
 - Voltage: 125V
 - Current: 1.0A, 32AWG: 0.8A
 - Operating Temp.: -40°C to +85°C

Vertical

For quantities greater than listed, call for quote.

MOUSER STOCK NO.	Molex Part No.	Fig.	No. of Circuits	Price Each			
				1	10	100	500
538-53047-0210	53047-0210	C	2	.67	.31	.23	.19
538-53047-0310	53047-0310	C	3	.68	.38	.29	.23
538-53047-0410	53047-0410	C	4	.70	.42	.32	.26
538-53047-0510	53047-0510	C	5	.89	.53	.41	.33
538-53047-0610	53047-0610	C	6	1.06	.606	.528	.426
538-53047-0710	53047-0710	C	7	1.15	.69	.541	.437
538-53047-0810	53047-0810	C	8	.97	.64	.576	.461
538-53047-0910	53047-0910	C	9	1.28	.893	.758	.606
538-53047-1010	53047-1010	C	10	1.17	.847	.693	.554
538-53047-1110	53047-1110	C	11	1.62	1.06	.956	.765
538-53047-1210	53047-1210	C	12	1.63	1.17	.963	.77
538-53047-1410	53047-1410	C	14	1.68	1.34	1.03	.828
538-53047-1510	53047-1510	C	15	1.69	1.29	1.03	.83

PCB HEADERS (CONT.)

- Features:**
- Series 53048
 - Locking windows provide secure mating
 - Mates with Series 51021
 - Wire-to-Board

- Specifications:**
- Contact: Phosphor Bronze
 - Plating: Tin
 - Housing: 6/6 Nylon, UL 94V-0
 - Voltage: 125V
 - Current: 1.0A, 32AWG: 0.8A
 - Operating Temp.: -40°C to +85°C

Right Angle

For quantities greater than listed, call for quote.

MOUSER STOCK NO.	Molex Part No.	Fig.	No. of Circuits	Price Each			
				1	10	100	500
538-53048-0210	53048-0210	D	2	.77	.35	.276	.221
538-53048-0310	53048-0310	D	3	.67	.402	.31	.25
538-53048-0410	53048-0410	D	4	.79	.473	.37	.29
538-53048-0510	53048-0510	D	5	1.19	.71	.56	.452
538-53048-0610	53048-0610	D	6	1.13	.60	.52	.428
538-53048-0710	53048-0710	D	7	1.21	.795	.716	.573
538-53048-0810	53048-0810	D	8	1.26	.911	.745	.596
538-53048-0910	53048-0910	D	9	1.46	.96	.864	.691
538-53048-1010	53048-1010	D	10	1.49	1.08	.884	.707
538-53048-1410	53048-1410	D	14	1.80	1.24	.966	.884
538-53048-1510	53048-1510	D	15	1.92	1.32	1.17	.943

- Features:**
- Locking windows provide secure mating
 - Metal solder tabs provide PCB hold-down and strain relief for SMT tails
 - Mates with Series 51021
 - Surface Mount
 - Wire-to-Board
 - RoHS Compliant per Molex documentation

- Specifications:**
- Housing: 4/6 Nylon, UL 94V-0
 - Contact: Phosphor Bronze
 - Plating: Tin
 - Solder Tabs: Phosphor Bronze, Tin plating
 - Operating Temperature: -40°C to +85°C
 - Voltage: 125V
 - Current: 1.0A, 32AWG: 0.8A

Vertical, SMT

• Series 53398

For quantities greater than listed, call for quote.

MOUSER STOCK NO.	Molex Part No.	Fig.	No. of Circuits	Price Each			
				1	10	100	500
538-53398-0271	53398-0271	E	2	1.40	1.09	.83	.66
538-53398-0371	53398-0371	E	3	1.30	1.07	.80	.67
538-53398-0471	53398-0471	E	4	1.23	1.19	1.11	.89
538-53398-0571	53398-0571	E	5	1.59	1.23	.98	.82
538-53398-0671	53398-0671	E	6	1.93	1.59	1.18	.92
538-53398-0871	53398-0871	E	8	2.21	1.83	1.35	1.08
538-53398-0971	53398-0971	E	9	1.82	1.65	1.46	1.17
538-53398-1071	53398-1071	E	10	2.54	2.10	1.56	1.24
538-53398-1171	53398-1171	E	11	2.70	1.86	1.65	1.32
538-53398-1271	53398-1271	E	12	2.13	2.06	1.75	1.40
538-53398-1371	53398-1371	E	13	2.78	2.30	1.71	1.36
538-53398-1471	53398-1471	E	14	3.18	2.63	1.95	1.56
538-53398-1571	53398-1571	E	15	3.26	2.26	2.00	1.60

- Features:**
- Locking windows provide secure mating
 - Metal solder tabs provide PCB hold-down and strain relief for SMT tails
 - Mates with Series 51021
 - Surface Mount
 - Wire-to-Board

- Specifications:**
- Housing: 4/6 Nylon, UL 94V-0
 - Contact: Phosphor Bronze
 - Plating: Tin/Lead
 - Solder Tabs: Phosphor Bronze, Tin/Lead plating
 - Operating Temperature: -40°C to +85°C
 - Voltage: 125V
 - Current: 1.0A, 32AWG: 0.8A

Right Angle, SMT

• Series 53261

For quantities greater than listed, call for quote.

MOUSER STOCK NO.	Molex Part No.	Fig.	No. of Circuits	Price Each			
				1	10	100	500
538-53261-0271	53261-0271	F	2	1.13	.87	.69	.58
538-53261-0371	53261-0371	F	3	1.35	1.32	1.06	.89
538-53261-0471	53261-0471	F	4	1.50	1.16	.93	.77
538-53261-0671	53261-0671	F	6	1.57	1.28	1.04	.857
538-53261-0771	53261-0771	F	7	2.14	1.77	1.31	1.05
538-53261-0871	53261-0871	F	8	1.82	1.46	1.18	.979
538-53261-0971	53261-0971	F	9	2.46	1.70	1.51	1.20
538-53261-1071	53261-1071	F	10	2.61	2.16	1.60	1.28
538-53261-1471	53261-1471	F	14	3.24	2.24	1.99	1.59
538-53261-1571	53261-1571	F	15	2.80	2.59	2.07	1.66