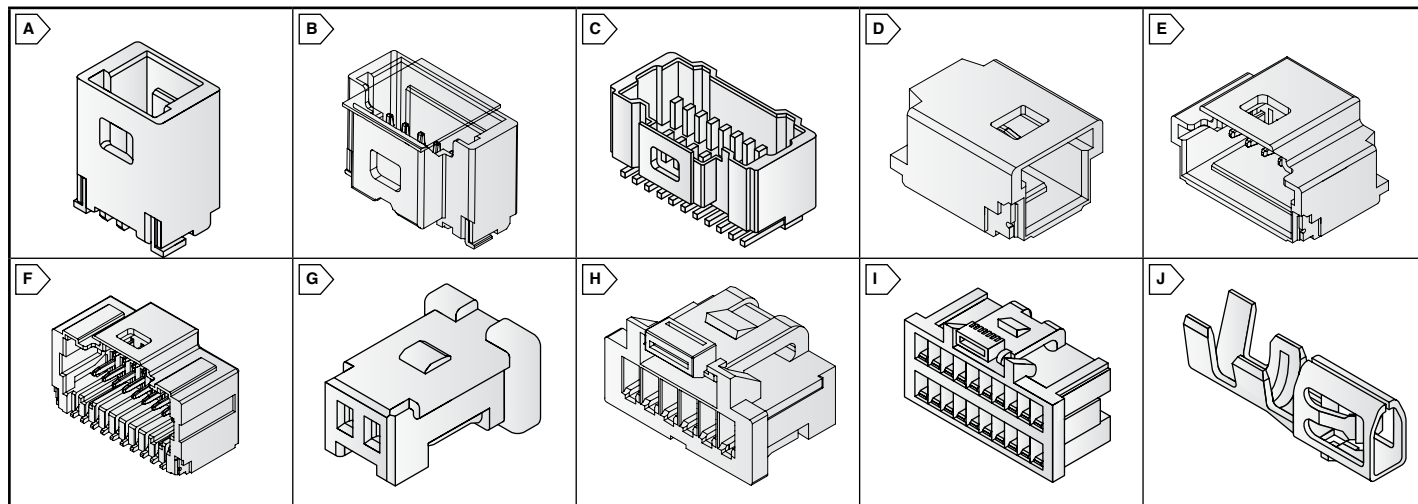


MOLEX Pico-Clasp™ 1.00mm (.039") Pitch Connectors



PICO-CLASP WIRE TO BOARD HEADERS

The new 1.00mm (.039") pitch wire-to-board Pico-Clasp™ connector system from Molex was developed for various connections in Flat Panel Displays (FPD). The compact, small circuit size features of this system also make it ideal for other applications such as Notebook PCs and other compact devices. The system is offered in both single and dual row versions. Friction and positive locks are offered for various application needs. Other features include mating guides, solder tabs and footprint compatibility with some competitive versions.

Specifications:

- Voltage: 50V
- Current: 1.0A max.
- Contact resistance: 20mΩ max.
- Dielectric withstanding voltage: 250VAC
- Insulation resistance: 100MΩ min.

Features:

- Smallest pitch for positive lock Wire-to-Board crimp system
- Inner positive lock (6-50 circuit sizes)
- Low mating and un-mating forces
- Wide header variations
- Provides customers with many choices and design flexibility
- Provides space savings for mounting other components
- Prevents wire hooking
- Latch protection and secure mating retention
- Strong mating retention and clear clicking
- Easy connector insertion and extraction



RoHS Compliant

Vertical Surface Mount Headers

- With cover tape
- Single row

For quantities greater than listed, call for quote.

MOUSER STOCK NO.	Molex Part No.	Fig.	No. of Circuits	Price Each			
				1	10	100	500
Friction Lock - Single Row - with cover tape							
538-501331-0207	501331-0207	A	2	1.36	.862	.544	.469
538-501331-0307	501331-0307	A	3	1.10	.98	.676	.548
538-501331-0407	501331-0407	A	4	1.07	.941	.648	.512
538-501331-0507	501331-0507	A	5	1.16	.79	.58	.52
Positive Lock - Single Row - with cover tape							
538-501331-0607	501331-0607	B	6	1.13	.882	.65	.586
538-501331-0707	501331-0707	B	7	1.34	1.18	.784	.646
538-501331-0807	501331-0807	B	8	1.52	1.34	.909	.727
538-501331-0907	501331-0907	B	9	1.49	1.32	.879	.72
538-501331-1007	501331-1007	B	10	1.51	1.06	.78	.779
538-501331-1107	501331-1107	B	11	1.79	1.57	1.04	.858
538-501331-1207	501331-1207	B	12	1.46	1.17	.84	.784
538-501331-1307	501331-1307	B	13	1.98	1.74	1.16	.954
538-501331-1407	501331-1407	B	14	2.24	1.98	1.34	1.08
538-501331-1507	501331-1507	B	15	2.38	2.10	1.38	1.13
Positive Lock - Dual Row - with pick and place tape							
538-501190-2017	501190-2017	C	20	2.83	2.06	1.63	1.52
538-501190-3017	501190-3017	C	30	3.37	2.93	2.13	1.98
538-501190-4017	501190-4017	C	40	3.92	3.41	2.48	2.31
538-501190-5017	501190-5017	C	50	7.28	5.89	4.27	3.41

Right Angle Surface Mount Headers

For quantities greater than listed, call for quote.

MOUSER STOCK NO.	Molex Part No.	Fig.	No. of Circuits	Price Each			
				1	10	100	500
Friction Lock - Single Row							
538-501568-0207	501568-0207	D	2	.80	.621	.458	.413
538-501568-0307	501568-0307	D	3	.83	.643	.474	.427
538-501568-0407	501568-0407	D	4	.86	.671	.495	.446
538-501568-0507	501568-0507	D	5	1.20	.83	.69	.622
Positive Lock - Single Row							
538-501568-0607	501568-0607	E	6	.96	.85	.63	.56
538-501568-0707	501568-0707	E	7	1.46	1.29	.862	.69
538-501568-0807	501568-0807	E	8	1.59	1.40	.943	.768
538-501568-0907	501568-0907	E	9	1.57	1.38	.922	.743
538-501568-1007	501568-1007	E	10	1.37	1.06	.784	.707
538-501568-1107	501568-1107	E	11	1.69	1.49	.996	.816
538-501568-1207	501568-1207	E	12	1.99	1.75	1.15	.955
538-501568-1307	501568-1307	E	13	1.92	1.69	1.13	.922
538-501568-1407	501568-1407	E	14	2.23	1.97	1.31	1.08
538-501568-1507	501568-1507	E	15	2.35	2.06	1.37	1.12
Positive Lock - Dual Row							
538-501571-2007	501571-2007	F	20	2.54	2.05	1.46	1.33
538-501571-3007	501571-3007	F	30	4.62	4.08	2.71	1.57
538-501571-4007	501571-4007	F	40	5.11	4.66	3.55	3.22

Housings

For quantities greater than listed, call for quote.

MOUSER STOCK NO.	Molex Part No.	Fig.	No. of Circuits	Price Each			
				1	10	100	500
Friction Lock - Single Row							
538-501330-0200	501330-0200	G	2	.25	.235	.15	.143
538-501330-0300	501330-0300	G	3	.30	.29	.20	.158
538-501330-0400	501330-0400	G	4	.64	.265	.22	.183
538-501330-0500	501330-0500	G	5	.64	.266	.202	.183
Positive Lock - Single Row							
538-501330-0600	501330-0600	H	6	.73	.34	.23	.209
538-501330-0700	501330-0700	H	7	.36	.355	.307	.254
538-501330-0800	501330-0800	H	8	.31	.272	.206	.187
538-501330-0900	501330-0900	H	9	.51	.46	.307	.254
538-501330-1000	501330-1000	H	10	.35	.344	.307	.254
538-501330-1100	501330-1100	H	11	.61	.54	.36	.296
538-501330-1200	501330-1200	H	12	.66	.58	.392	.318
538-501330-1400	501330-1400	H	14	.82	.59	.392	.307
538-501330-1500	501330-1500	H	15	.65	.57	.381	.318
Friction Lock - Dual Row							
538-501189-2010	501189-2010	I	20	.89	.52	.34	.27
538-501189-3010	501189-3010	I	30	.99	.53	.39	.377
538-501189-4010	501189-4010	I	40	1.12	.607	.449	.427

TERMINALS

For quantities greater than listed, call for quote.

MOUSER STOCK NO.	Molex Part No.	Fig.	Description	Price Each		
				1	10	100
538-501334-0100	501334-0100	J	Single Row Terminal	.34	.107	.073

TOOLS

For quantities greater than listed, call for quote.

MOUSER STOCK NO.	Molex Part No.	Fig.	Description	Price Each
538-63819-1500	63819-1500	---	Crimp Hand Tool	296.26
538-63813-1700	63813-1700	---	Hand Extraction Tool	171.17