

# MOLEX SlimStack™ SMT Board-to-Board Connectors

**molex**  
one company a world of innovation

RoHS Compliant This page of product is compliant.



RoHS Compliant

## 0.635 (.025") PITCH SLIMSTACK™ SMT CONNECTORS

### Features:

- Cantilever type gold contacts
- Beam on blade contact
- Metal friction lock
- High-temp LCP housing
- Shrouded plugs and receptacles

### Specifications:

- Contact plating: Gold
- Mounting style: Vertical
- Termination style: SMT
- Current rating: 0.5A max.
- Voltage: 100V max.

### 6.0mm Height

For quantities greater than listed, call for quote.

MOUSER STOCK NO.	Molex Part No.	Fig.	Number of Circuits	Description	Price Each			
					1	10	25	50
<b>Plugs</b>								
538-55091-0274	55091-0274	A	20	With Solder Tabs, Black	3.78	3.64	3.58	3.48
538-55091-0474	55091-0474	A	40	With Solder Tabs, Black	2.56	2.36	2.17	2.00
538-55091-0674	55091-0674	A	60	With Solder Tabs, Black	5.14	4.72	4.37	4.06
538-55091-1674	55091-1674	A	160	With Solder Tabs, Black	13.38	12.30	11.37	10.58
<b>Receptacles</b>								
538-52885-0274	52885-0274	B	20	With Solder Tabs, White	3.09	2.67	2.66	2.23
538-52885-0474	52885-0474	B	40	With Solder Tabs, White	3.16	2.89	2.66	2.42
538-52885-0674	52885-0674	B	60	With Solder Tabs, White	11.81	10.77	9.89	8.93

### 8.0mm Height

For quantities greater than listed, call for quote.

MOUSER STOCK NO.	Molex Part No.	Fig.	Number of Circuits	Description	Price Each			
					1	10	25	50
<b>Plugs</b>								
538-53647-0274	53647-0274	C	20	With Solder Tabs, Black	4.83	4.68	4.50	4.40
538-53647-0474	53647-0474	C	40	With Solder Tabs, Black	8.64	7.86	7.47	7.08
538-53647-1674	53647-1674	C	160	With Solder Tabs, Black	10.48	9.62	8.87	8.16
<b>Receptacles</b>								
538-52885-0274	52885-0274	B	20	With Solder Tabs, White	3.09	2.67	2.66	2.23
538-52885-0474	52885-0474	B	40	With Solder Tabs, White	3.16	2.89	2.66	2.42

### 10mm Height

For quantities greater than listed, call for quote.

MOUSER STOCK NO.	Molex Part No.	Fig.	Number of Circuits	Description	Price Each			
					1	10	25	50
<b>Plugs</b>								
538-53627-0474	53627-0474	D	40	With Solder Tabs, Black	6.23	5.60	5.04	4.54
538-53627-0674	53627-0674	D	60	With Solder Tabs, Black	5.06	4.54	4.12	3.69
538-53627-0874	53627-0874	D	80	With Solder Tabs, Black	10.15	9.11	8.26	7.40
<b>Receptacles</b>								
538-52885-0474	52885-0474	B	40	With Solder Tabs, White	3.16	2.89	2.66	2.42
538-52885-0674	52885-0674	B	60	With Solder Tabs, White	11.81	10.77	9.89	8.93
538-52885-0874	52885-0874	B	80	With Solder Tabs, White	4.86	4.02	3.90	3.35

### 12mm Height

For quantities greater than listed, call for quote.

MOUSER STOCK NO.	Molex Part No.	Fig.	Number of Circuits	Description	Price Each			
					1	10	25	50
<b>Plugs</b>								
538-55091-0274	55091-0274	A	20	With Solder Tabs, Black	3.78	3.64	3.58	3.48
538-55091-0474	55091-0474	A	40	With Solder Tabs, Black	2.56	2.36	2.17	2.00
538-55091-0674	55091-0674	A	60	With Solder Tabs, Black	5.14	4.72	4.37	4.06
<b>Receptacles</b>								
538-52901-0274	52901-0274	E	20	With Solder Tabs, White	4.04	3.72	3.43	3.15
538-52901-0474	52901-0474	E	40	With Solder Tabs, White	10.19	9.17	8.25	7.67
538-52901-0674	52901-0674	E	60	With Solder Tabs, White	5.73	5.36	4.89	4.48

### 14mm Height

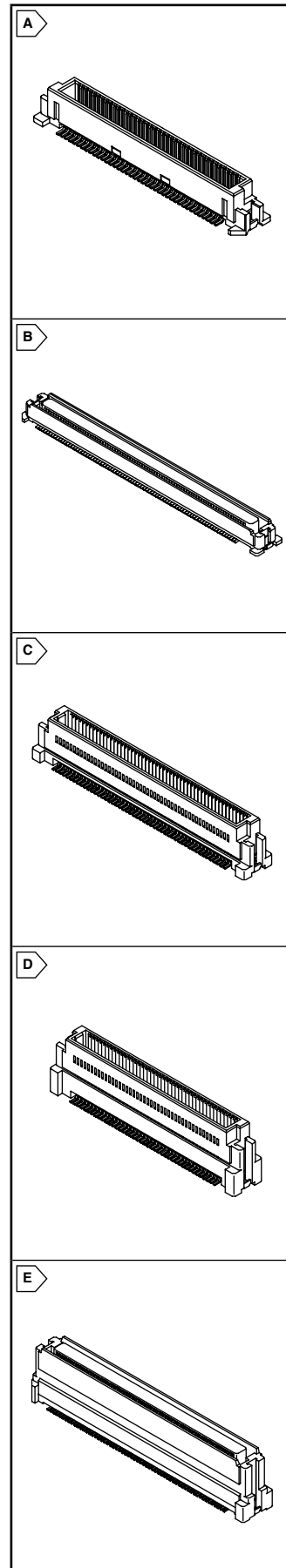
For quantities greater than listed, call for quote.

MOUSER STOCK NO.	Molex Part No.	Fig.	Number of Circuits	Description	Price Each			
					1	10	25	50
<b>Plugs</b>								
538-53647-0274	53647-0274	C	20	With Solder Tabs, Black	4.83	4.68	4.50	4.40
538-53647-0474	53647-0474	C	40	With Solder Tabs, Black	8.64	7.86	7.47	7.08
<b>Receptacles</b>								
538-52901-0274	52901-0274	E	20	With Solder Tabs, White	4.04	3.72	3.43	3.15
538-52901-0474	52901-0474	E	40	With Solder Tabs, White	10.19	9.17	8.25	7.67

### 16mm Height

For quantities greater than listed, call for quote.

MOUSER STOCK NO.	Molex Part No.	Fig.	Number of Circuits	Description	Price Each			
					1	10	25	50
<b>Plugs</b>								
538-53627-0474	53627-0474	D	40	With Solder Tabs, Black	6.23	5.60	5.04	4.54
538-53627-0674	53627-0674	D	60	With Solder Tabs, Black	5.06	4.54	4.12	3.69
538-53627-0874	53627-0874	D	80	With Solder Tabs, Black	10.15	9.11	8.26	7.40
<b>Receptacles</b>								
538-52901-0474	52901-0474	E	40	With Solder Tabs, White	10.19	9.17	8.25	7.67
538-52901-0674	52901-0674	E	60	With Solder Tabs, White	5.73	5.36	4.89	4.48
538-52901-0874	52901-0874	E	80	With Solder Tabs, White	15.64	14.37	13.23	12.17



Molex Rectangular Connectors