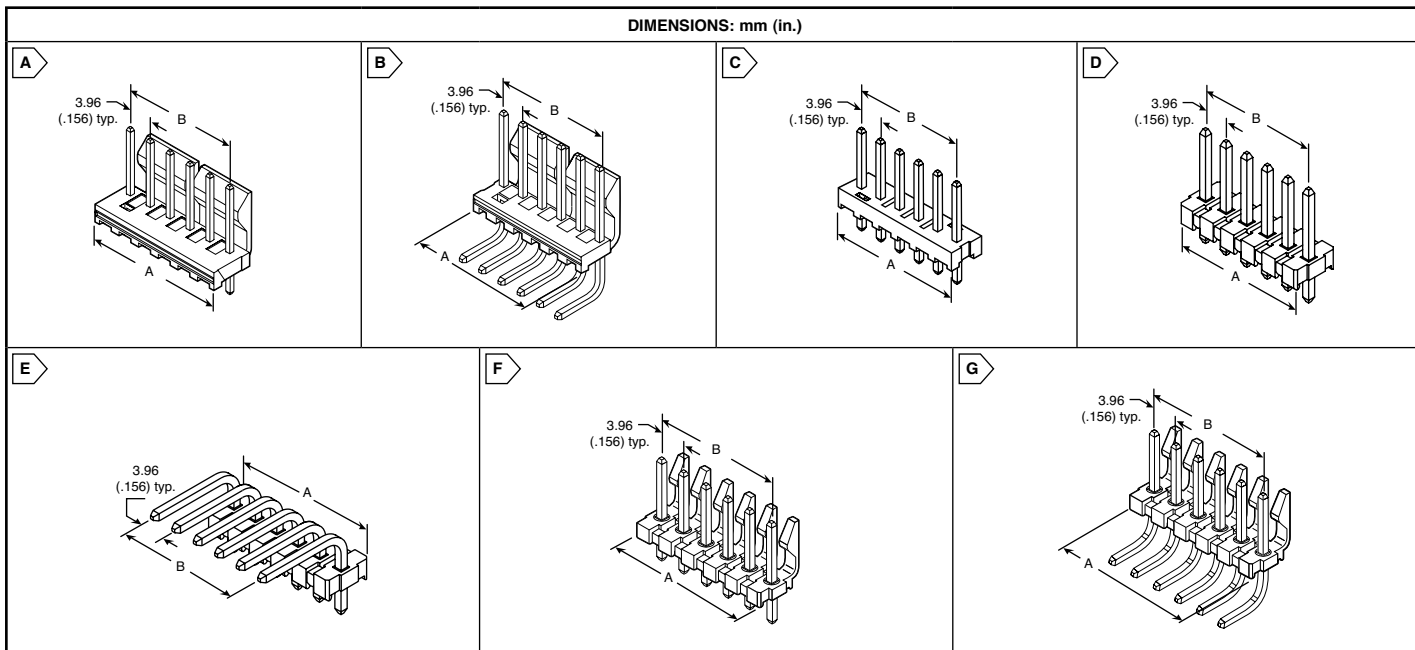


MOLEX KK® Series Headers (.156")

molex
one company > a world of innovation

DIMENSIONS: mm (in.)



.156" PCB HEADERS

• Current: 7.0A • Voltage: 250V

For quantities greater than listed, call for quote.

MOUSER STOCK NO.	Molex Part No.	Fig.	No. of Circuits	Dim. mm		Price Each			
				A	B	1	10	100	500
Vertical Friction Lock, Tin Plating UL94V-0, Polyester									
538-26-60-4020	26-60-4020	A	2	7.77	3.96	.51	.22	.13	.12
538-26-60-4030	26-60-4030	A	3	11.73	7.92	.55	.25	.17	.15
538-26-60-4040	26-60-4040	A	4	15.70	11.89	.76	.35	.23	.21
538-26-60-4050	26-60-4050	A	5	19.66	15.85	.21	.203	.20	.17
538-26-60-4060	26-60-4060	A	6	23.62	19.81	.69	.41	.27	.263
538-26-60-4070	26-60-4070	A	7	27.58	23.77	1.17	.70	.46	.44
538-26-60-4080	26-60-4080	A	8	31.55	27.74	1.25	.74	.49	.47
538-26-60-4090	26-60-4090	A	9	35.51	31.70	.96	.674	.567	.485
538-26-60-4100	26-60-4100	A	10	39.47	35.66	1.04	.754	.616	.493
538-26-60-4110	26-60-4110	A	11	43.43	39.62	1.24	.813	.73	.58
538-26-60-4120	26-60-4120	A	12	47.40	43.59	1.08	.782	.64	.512
Vertical Friction Lock, Gold Plating UL94V-0, Polyester									
538-26-61-4020	26-61-4020	A	2	7.77	3.96	.90	.542	.361	.343
538-26-61-4030	26-61-4030	A	3	11.73	7.92	1.13	.816	.563	.534
538-26-61-4040	26-61-4040	A	4	15.70	11.89	1.67	1.20	.835	.791
538-26-61-4050	26-61-4050	A	5	19.66	15.85	1.91	1.32	1.02	.938
538-26-61-4060	26-61-4060	A	6	23.62	19.81	2.13	1.64	1.14	1.04
538-26-61-4070	26-61-4070	A	7	27.58	23.77	2.67	1.85	1.43	1.31
538-26-61-4080	26-61-4080	A	8	31.55	27.74	2.92	2.26	1.66	1.50
538-26-61-4090	26-61-4090	A	9	35.51	31.70	4.74	4.18	2.78	2.22
538-26-61-4100	26-61-4100	A	10	39.47	35.66	3.40	2.34	1.94	1.76
538-26-61-4120	26-61-4120	A	12	47.40	43.59	6.34	5.59	3.73	2.97
Right Angle Friction Lock, Tin Plating									
538-26-60-5020	26-60-5020	B	2	7.77	3.96	.52	.24	.162	.14
538-26-60-5030	26-60-5030	B	3	11.73	7.92	.66	.27	.20	.187
538-26-60-5040	26-60-5040	B	4	15.70	11.89	.72	.38	.28	.27
538-26-60-5050	26-60-5050	B	5	19.66	15.85	.64	.483	.352	.302
538-26-60-5060	26-60-5060	B	6	23.62	19.81	.86	.55	.407	.387
538-26-60-5070	26-60-5070	B	7	27.58	23.77	1.05	.667	.531	.423
538-26-60-5080	26-60-5080	B	8	31.55	27.74	1.10	.725	.605	.522
538-26-60-5090	26-60-5090	B	9	35.51	31.70	1.29	1.00	.763	.61
538-26-60-5100	26-60-5100	B	10	39.47	35.66	1.21	1.17	.89	.71
538-26-60-5110	26-60-5110	B	11	43.43	39.62	1.25	1.06	.812	.769
538-26-60-5120	26-60-5120	B	12	47.40	43.59	1.89	1.46	1.12	.89
Vertical, Without Pegs, Tin Plating									
538-26-60-2020	26-60-2020	C	2	7.77	3.96	.26	.23	.138	.126
538-26-60-2030	26-60-2030	C	3	11.73	7.92	.41	.397	.301	.288
538-26-60-2040	26-60-2040	C	4	15.70	11.89	.76	.61	.57	.47
538-26-60-2050	26-60-2050	C	5	19.66	15.85	.65	.587	.547	.489
538-26-60-2100	26-60-2100	C	10	39.47	35.66	1.33	1.24	1.23	1.01
538-26-60-2120	26-60-2120	C	12	47.40	43.59	1.68	1.50	1.45	1.39

.156" BREAKAWAY HEADERS - PCB

• Contact: Brass • Square pins • Voltage: 250VAC • RoHS compliant per Molex documentation
• Current: 7.0A max. (dependent on connection and PC Board)

For quantities greater than listed, call for quote.

MOUSER STOCK NO.	Molex Part No.	Fig.	No. of Circuits	Dimensions: mm		Price Each			
				A	B	1	10	100	500
Vertical, Tin Plating UL94V-0, Polyester									
538-26-48-1021	26-48-1021	D	2	6.78	3.96	1.17	.90	.69	.55
538-26-48-1031	26-48-1031	D	3	10.74	7.92	.65	.55	.42	.33
538-26-48-1041	26-48-1041	D	4	14.71	11.89	1.17	.76	.58	.55
538-26-48-1051	26-48-1051	D	5	18.67	15.85	.89	.76	.58	.55
538-26-48-1061	26-48-1061	D	6	22.63	19.81	.69	.63	.582	.487
538-26-48-1071	26-48-1071	D	7	26.59	23.77	1.17	.769	.584	.554
538-26-48-1081	26-48-1081	D	8	30.56	27.74	1.17	.769	.584	.554
538-26-48-1091	26-48-1091	D	9	34.52	31.70	1.87	1.56	1.18	.972
538-26-48-1101	26-48-1101	D	10	38.48	35.66	1.68	1.43	1.06	.85
538-26-48-1111	26-48-1111	D	11	42.44	39.62	1.69	1.38	1.10	.89
538-26-48-1121	26-48-1121	D	12	46.41	43.59	1.58	1.30	.98	.86
538-26-48-1241	26-48-1241	D	24	93.85	91.14	2.00	1.53	1.22	.98
Right Angle, Tin Plating									
538-26-48-1022	26-48-1022	E	2	6.78	3.96	.65	.42	.205	.186
538-26-48-1032	26-48-1032	E	3	10.74	7.92	.42	.326	.247	.212
538-26-48-1042	26-48-1042	E	4	14.71	11.89	.92	.83	.55	.43
538-26-48-1052	26-48-1052	E	5	18.67	15.85	1.01	.89	.59	.47
538-26-48-1062	26-48-1062	E	6	22.63	19.81	.98	.85	.57	.52
538-26-48-1082	26-48-1082	E	8	30.56	27.74	1.15	1.03	.68	.53
538-26-48-1102	26-48-1102	E	10	38.48	35.66	1.23	.86	.79	.73
538-26-48-1122	26-48-1122	E	12	46.41	43.59	1.89	1.66	1.10	.88
538-26-48-1242	26-48-1242	E	24	93.85	91.14	2.98	2.47	1.83	1.46
Vertical Friction Lock, Tin Plating									
538-26-48-1025	26-48-1025	F	2	6.78	3.96	1.41	1.09	.70	.66
538-26-48-1035	26-48-1035	F	3	10.74	7.92	1.41	.92	.70	.66
538-26-48-1045	26-48-1045	F	4	14.71	11.89	1.41	.92	.83	.66
538-26-48-1055	26-48-1055	F	5	18.67	15.85	1.41	.92	.83	.66
538-26-48-1065	26-48-1065	F	6	22.63	19.81	.46	.446	.38	.35
538-26-48-1075	26-48-1075	F	7	26.59	23.77	1.31	.927	.705	.576
538-26-48-1085	26-48-1085	F	8	30.56	27.74	1.41	.92	.83	.66
538-26-48-1095	26-48-1095	F	9	34.52	31.70	1.19	.92	.70	.54
538-26-48-1105	26-48-1105	F	10	38.48	35.66	.68	.659	.639	.51
538-26-48-1115	26-48-1115	F	11	42.44	39.62	.98	.92	.699	.582
538-26-48-1125	26-48-1125	F	12	46.41	43.59	1.14	.927	.71	.583
538-26-48-1245	26-48-1245	F	24	93.85	91.14	1.97	1.64	1.21	.97
Right Angle Friction Lock, Tin Plating									
538-26-48-1026	26-48-1026	G	2	6.78	3.96	.74	.46	.26	.21
538-26-48-1036	26-48-1036	G	3	10.74	7.92	.92	.38	.29	.263
538-26-48-1046	26-48-1046	G	4	14.71	11.89	.41	.397	.315	.305
538-26-48-1066	26-48-1066	G	6	22.63	19.81	1.04	.56	.49	.39
538-26-48-1076	26-48-1076	G	7	26.59	23.77	1.55	1.34	.91	.72
538-26-48-1086	26-48-1086	G	8	30.56	27.74	1.30	.95	.86	.74
538-26-48-1096	26-48-1096	G	9	34.52	31.70	1.67	1.59	1.06	.844
538-26-48-1106	26-48-1106	G	10	38.48	35.66	1.83	1.61	1.08	.86
538-26-48-1126	26-48-1126	G	12	46.41	43.59	2.10	1.83	1.35	1.07
538-26-48-1246	26-48-1246	G	24	93.85	91.14	2.61	1.73	1.67	1.37