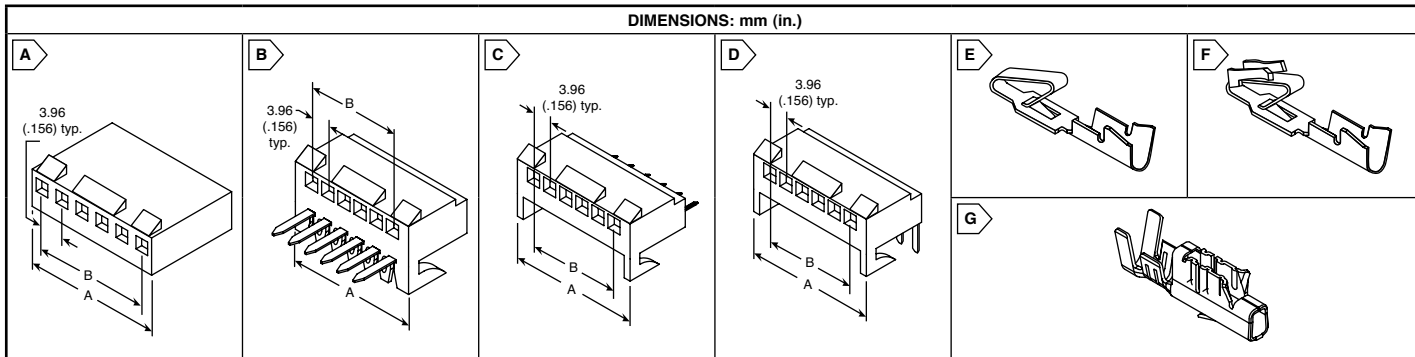


MOLEX KK® Series (.156")

molex
one company a world of innovation



.156" CRIMP TERMINAL HOUSINGS

- Voltage: 250V AC max.
- Temperature: 0°C to +75°C
- Current: Phosphor Bronze-7.0A max.; Brass-5.0A max.
- RoHS compliant per Molex documentation



RoHS Compliant

For quantities greater than listed, call for quote.

For quantities greater than listed, call for quote.

MOUSER STOCK NO.	Molex Part No.	Fig.	No. of Circuits	Dimensions: mm		Price Each			
				A	B	1	10	100	500
With Locking Ramp UL94V-2, Nylon									
538-09-50-3021	09-50-3021	A	2	7.92	3.96	.32	.13	.069	.064
538-09-50-3031	09-50-3031	A	3	11.79	7.92	.36	.156	.093	.086
538-09-50-3041	09-50-3041	A	4	15.75	11.89	.53	.22	.136	.126
538-09-50-3051	09-50-3051	A	5	19.71	15.85	.59	.27	.186	.169
538-09-50-3061	09-50-3061	A	6	23.67	19.81	.71	.33	.22	.20
538-09-50-3071	09-50-3071	A	7	27.64	23.77	.55	.36	.279	.254
538-09-50-3081	09-50-3081	A	8	31.60	27.74	.73	.39	.29	.27
538-09-50-3091	09-50-3091	A	9	35.56	31.70	.82	.44	.32	.31
538-09-50-3101	09-50-3101	A	10	39.52	35.66	.91	.48	.36	.34
538-09-50-3111	09-50-3111	A	11	43.48	39.62	1.00	.53	.46	.37
538-09-50-3121	09-50-3121	A	12	47.45	43.59	1.17	.70	.548	.443
Without Locking Ramp UL94V-2, Nylon									
538-09-50-7021	09-50-7021	A	2	7.92	3.96	.39	.123	.08	.077
538-09-50-7031	09-50-7031	A	3	11.79	7.92	.33	.155	.113	.105
538-09-50-7041	09-50-7041	A	4	15.75	11.89	.33	.20	.15	.086
538-09-50-7051	09-50-7051	A	5	19.71	15.85	.45	.282	.162	.129
538-09-50-7061	09-50-7061	A	6	23.67	19.81	.68	.28	.21	.19
538-09-50-7071	09-50-7071	A	7	27.64	23.77	.79	.49	.28	.22
538-09-50-7081	09-50-7081	A	8	31.60	27.74	.73	.37	.28	.25
538-09-50-7091	09-50-7091	A	9	35.56	31.70	.73	.51	.34	.27
538-09-50-7111	09-50-7111	A	11	43.48	39.62	.80	.481	.356	.338

Molex Rectangular Connectors

.156" PCB RECEPTACLES

- Tin Plated

For quantities greater than listed, call for quote.

MOUSER STOCK NO.	Molex Part No.	Fig.	No. of Circuits	Dimensions: mm		Price Each			
				A	B	1	10	100	500
Bottom Entry									
538-09-52-3032	09-52-3032	B	3	11.79	7.92	1.39	.913	.873	.855
538-09-52-3042	09-52-3042	B	4	15.75	11.89	1.24	.873	.846	.779
538-09-52-3052	09-52-3052	B	5	19.71	15.85	1.51	1.36	1.28	.89
538-09-52-3062	09-52-3062	B	6	23.67	19.81	2.03	1.46	1.35	1.08
538-09-52-3072	09-52-3072	B	7	27.64	23.77	2.65	1.76	1.59	1.29
538-09-52-3082	09-52-3082	B	8	31.60	27.74	2.37	1.74	1.38	1.27
538-09-52-3102	09-52-3102	B	10	39.52	35.66	2.71	2.62	1.90	1.51
Top Entry									
538-09-52-3033	09-52-3033	C	3	11.79	7.92	.65	.462	.434	.339
538-09-52-3043	09-52-3043	C	4	15.75	11.89	.59	.55	.349	.298
538-09-52-3053	09-52-3053	C	5	19.71	15.85	.91	.74	.434	.381
538-09-52-3063	09-52-3063	C	6	23.67	19.81	1.02	.79	.519	.476
538-09-52-3073	09-52-3073	C	7	27.64	23.77	1.21	.907	.72	.54
538-09-52-3083	09-52-3083	C	8	31.60	27.74	1.19	1.07	.67	.57
538-09-52-3093	09-52-3093	C	9	35.56	31.70	1.26	1.00	.763	.689

.156" CRIMP TERMINALS

- Temperature: Phosphor Bronze: 0°C to +75°C; Brass: 0°C to +50°C
- Current: 5.0A max. using 18AWG wire

MOUSER STOCK NO.	Molex Part No.	Fig.	Wire Range	Material	Plating	Price Each		
						1	100	500
538-08-50-0106	08-50-0106	E	18-20	Brass	Tin	.19	.07	.058
538-08-52-0072	08-52-0072	E	18-20	Ph Bz	Tin	.16	.059	.055
538-08-50-0108	08-50-0108	E	22-26	Brass	Tin	.19	.078	.072
538-08-50-0134	08-50-0134	E	22-26	Ph Bz	Tin	.16	.059	.055
538-08-56-0106	08-56-0106	E	18-20	Brass	Gold	1.07	.42	.40
538-08-58-0122	08-58-0122	E	18-20	Ph Bz	Gold	.74	.42	.40
538-08-56-0108	08-56-0108	E	22-26	Brass	Gold	1.07	.51	.46
538-08-58-0126	08-58-0126	E	22-26	Ph Bz	Gold	1.07	.501	.405
538-08-52-0113	08-52-0113	F	18-20	Ph Bz	Tin	.23	.085	.078
538-08-50-0189	08-50-0189	F	18-20	Brass	Tin	.17	.064	.059
538-08-52-0125	08-52-0125	F	22-26	Ph Bz	Tin	.17	.064	.059
538-08-50-0185	08-50-0185	F	22-26	Brass	Tin	.27	.06	.053
538-08-56-0124	08-56-0124	F	22-26	Ph Bz	Gold	1.55	1.19	1.07
* 538-45570-3050	45570-3050	G	18-20	Copp-Alloy	Tin	.19	.16	.148

*Use with 09-50-8xxx only

© Copyright 2012 Mouser Electronics

MOUSER STOCK NO.	Molex Part No.	Fig.	No. of Circuits	Dimensions: mm		Price Each			
				A	B	1	10	100	500
With Locking Ramp and Polarizing Ribs UL94V-0, Polyester									
538-09-50-8023	09-50-8023	A	2	8.79	3.96	.30	.12	.06	.059
538-09-50-8033	09-50-8033	A	3	12.75	7.92	.34	.146	.087	.08
538-09-50-8043	09-50-8043	A	4	16.71	11.89	.58	.24	.18	.166
538-09-50-8053	09-50-8053	A	5	20.67	15.85	.74	.30	.23	.21
538-09-50-8063	09-50-8063	A	6	24.64	19.81	.50	.37	.256	.233
538-09-50-8073	09-50-8073	A	7	28.60	23.77	.66	.396	.293	.279
538-09-50-8083	09-50-8083	A	8	32.56	27.74	.74	.445	.33	.313
538-09-50-8093	09-50-8093	A	9	36.53	31.70	.83	.534	.396	.376
538-09-50-8103	09-50-8103	A	10	40.49	35.66	1.03	.55	.41	.39
538-09-50-8113	09-50-8113	A	11	44.45	39.62	1.02	.654	.484	.46
538-09-50-8123	09-50-8123	A	12	48.41	43.59	.95	.625	.475	.45
With Locking Ramp UL94V-0, Polyester									
538-09-50-8021	09-50-8021	A	2	8.79	3.96	.34	.19	.08	.06
538-09-50-8031	09-50-8031	A	3	12.75	7.92	.40	.17	.10	.09
538-09-50-8041	09-50-8041	A	4	16.71	11.89	.55	.22	.17	.15
538-09-50-8051	09-50-8051	A	5	20.67	15.85	.69	.28	.21	.19
538-09-50-8061	09-50-8061	A	6	24.64	19.81	.76	.35	.23	.21
538-09-50-8071	09-50-8071	A	7	28.60	23.77	.65	.37	.27	.26
538-09-50-8081	09-50-8081	A	8	32.56	27.74	.78	.421	.312	.296
538-09-50-8091	09-50-8091	A	9	36.53	31.70	.88	.47	.35	.33
538-09-50-8101	09-50-8101	A	10	40.49	35.66	.82	.444	.329	.312
538-09-50-8111	09-50-8111	A	11	44.45	39.62	.96	.612	.453	.431
538-09-50-8121	09-50-8121	A	12	48.41	43.59	1.13	.63	.46	.44

For quantities greater than listed, call for quote.

MOUSER STOCK NO.	Molex Part No.	Fig.	No. of Circuits	Dimensions: mm		Price Each			
				A	B	1	10	100	500
Top Entry (Cont.)									
538-09-52-3103	09-52-3103	C	10	39.52	35.66	1.34	.94	.89	.837
538-09-52-3113	09-52-3113	C	11	43.48	39.62	1.64	1.02	.975	.869
538-09-52-3123	09-52-3123	C	12	47.75	43.59	1.79	1.13	1.01	.922
Side Entry									
538-09-52-3021	09-52-3021	D	2	7.82	3.96	.33	.27	.25	.23
538-09-52-3031	09-52-3031	D	3	11.79	7.92	.65	.462	.434	.339
538-09-52-3041	09-52-3041	D	4	15.75	11.89	.69	.51	.349	.328
538-09-52-3051	09-52-3051	D	5	19.71	15.85	.45	.436	.37	.34
538-09-52-3061	09-52-3061	D	6	23.67	19.81	1.17	.79	.519	.476
538-09-52-3071	09-52-3071	D	7	27.64	23.77	1.04	.71	.657	.582
538-09-52-3081	09-52-3081	D	8	31.60	27.74	1.19	.75	.731	.646
538-09-52-3091	09-52-3091	D	9	35.56	31.70	1.17	.84	.795	.742
538-09-52-3101	09-52-3101	D	10	39.52	35.66	1.49	1.00	.848	.784
538-09-52-3111	09-52-3111	D	11	43.48	39.62	1.64	1.63	1.09	.869
538-09-52-3121	09-52-3121	D	12	47.75	43.59	1.79	1.35	1.21	1.10

POLARIZING KEYS AND PEGS

- Snap fit into housings
- RoHS compliant per Molex documentation



RoHS Compliant

MOUSER STOCK NO.	Molex Part No.	Description	Price Each		
			1	100	500
538-15-04-0219	15-04-0219	Key	.39	.10	.09
538-15-04-0220	15-04-0220	Peg	.23	.10	.09

DESIGNER/SERVICE KITS

- Includes: connectors, crimp tool, extraction tool, and storage case

MOUSER STOCK NO.	Molex Part No.	Description	Price Each
538-KK-156	KK-156	.156", 96 connectors	46.14

TOOLS