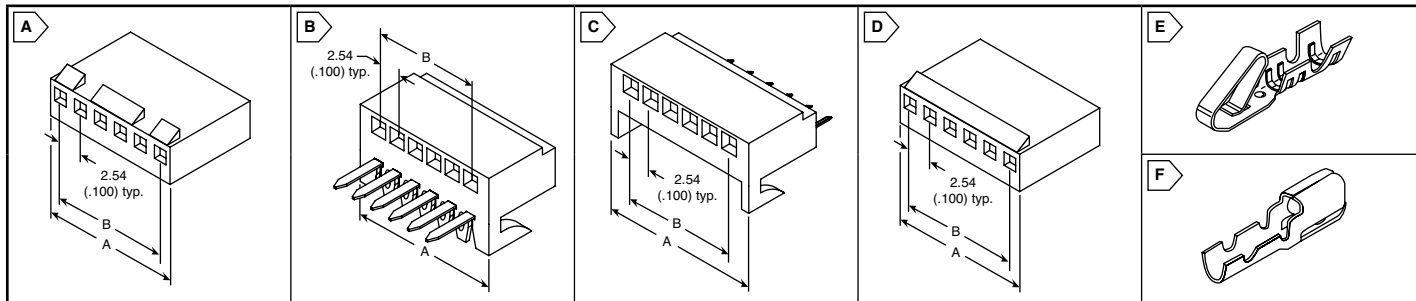


MOLEX KK® Series (.100")

molex
one company > a world of innovation

Products may be RoHS compliant. Check mouser.com for RoHS status.



.100" CRIMP TERMINAL HOUSINGS

- Housing: Nylon, UL94V-0
- Current: Phosphor Bronze-4.0A max; Brass-2.5A max.
- Voltage: 250V
- RoHS Compliant per Molex documentation

For quantities greater than listed, call for quote.

MOUSER STOCK NO.	Molex Part No.	Fig.	No. of Circuits	Dimensions: mm		Price Each			
				A	B	1	10	100	500
With Locking Ramp									
538-22-01-2027	22-01-2027	A	2	5.6	2.54	.10	.071	.06	.044
538-22-01-2037	22-01-2037	A	3	8.1	5.08	.44	.182	.094	.087
538-22-01-2047	22-01-2047	A	4	10.7	7.62	.55	.192	.143	.132
538-22-01-2057	22-01-2057	A	5	13.2	10.16	.55	.22	.171	.156
538-22-01-2067	22-01-2067	A	6	15.8	12.70	.65	.268	.203	.185
538-22-01-2077	22-01-2077	A	7	18.3	15.24	.76	.31	.239	.217
538-22-01-2087	22-01-2087	A	8	20.9	17.78	.88	.36	.27	.25
538-22-01-2097	22-01-2097	A	9	23.4	20.32	.70	.377	.279	.264
538-22-01-2107	22-01-2107	A	10	25.9	22.86	.66	.35	.26	.25
538-22-01-2117	22-01-2117	A	11	28.5	25.40	.77	.488	.361	.343
538-22-01-2127	22-01-2127	A	12	31.0	27.94	.93	.50	.43	.35
With Locking Ramp and Polarizing Ribs									
538-22-01-3027	22-01-3027	A	2	5.6	2.54	.31	.12	.066	.061
538-22-01-3037	22-01-3037	A	3	8.1	5.08	.44	.185	.096	.088
538-22-01-3047	22-01-3047	A	4	10.7	7.62	.45	.194	.115	.10
538-22-01-3057	22-01-3057	A	5	13.2	10.16	.62	.26	.16	.147
538-22-01-3067	22-01-3067	A	6	15.8	12.70	.58	.269	.182	.165
538-22-01-3077	22-01-3077	A	7	18.3	15.24	.68	.31	.21	.193
538-22-01-3087	22-01-3087	A	8	20.9	17.78	.77	.35	.24	.21
538-22-01-3097	22-01-3097	A	9	23.4	20.32	.80	.43	.31	.30
538-22-01-3107	22-01-3107	A	10	25.9	22.86	.89	.48	.35	.31
538-22-01-3117	22-01-3117	A	11	28.5	25.40	.88	.529	.392	.372
538-22-01-3127	22-01-3127	A	12	31.0	27.94	.32	.315	.31	.24

.100" PCB RECEPTACLES

- UL94V-0
- End-to-End stackable
- Contact: Brass
- Voltage: 250V
- Temperature: 0°C to +75°C
- Current: 2.5A max.

For quantities greater than listed, call for quote.

Tin Plating - Bottom Entry									
MOUSER STOCK NO.	Molex Part No.	Fig.	No. of Circuits	A	B	1	10	100	500
538-22-14-2024	22-14-2024	B	2	4.98	2.54	.34	.235	.178	.162
538-22-14-2034	22-14-2034	B	3	7.52	5.08	.76	.31	.23	.216
538-22-14-2044	22-14-2044	B	4	10.06	7.62	.81	.568	.324	.308
538-22-14-2054	22-14-2054	B	5	12.60	10.16	.86	.545	.404	.384
538-22-14-2064	22-14-2064	B	6	15.14	12.70	1.22	.85	.48	.46
538-22-14-2074	22-14-2074	B	7	17.68	15.24	1.08	.708	.538	.509
538-22-14-2084	22-14-2084	B	8	20.22	17.78	1.10	.85	.65	.52
538-22-14-2094	22-14-2094	B	9	22.76	20.32	1.39	1.07	.82	.656
538-22-14-2104	22-14-2104	B	10	25.30	22.86	1.38	1.07	.816	.653
538-22-14-2124	22-14-2124	B	12	30.38	27.94	1.65	1.08	.827	.783
Tin Plating - Top Entry									
538-22-02-2025	22-02-2025	C	2	4.98	2.54	.62	.221	.16	.14
538-22-02-2035	22-02-2035	C	3	7.52	5.08	.72	.297	.226	.205
538-22-02-2045	22-02-2045	C	4	10.06	7.62	.69	.372	.276	.262
538-22-02-2055	22-02-2055	C	5	12.60	10.16	.74	.601	.343	.326
538-22-02-2065	22-02-2065	C	6	15.14	12.70	1.04	.559	.414	.393
538-22-02-2075	22-02-2075	C	7	17.68	15.24	1.00	.659	.501	.474
538-22-02-2085	22-02-2085	C	8	20.22	17.78	1.05	.814	.524	.496
538-22-02-2095	22-02-2095	C	9	22.76	20.32	1.18	.774	.588	.557
538-22-02-2105	22-02-2105	C	10	25.30	22.86	1.31	.862	.655	.621
538-22-02-2125	22-02-2125	C	12	30.38	27.94	1.57	1.22	.931	.745
Gold Plating - Bottom Entry									
538-22-17-3022	22-17-3022	B	2	4.98	2.54	.43	.293	.222	.202
538-22-17-3032	22-17-3032	B	3	7.52	5.08	.67	.406	.301	.286
538-22-17-3042	22-17-3042	B	4	10.06	7.62	.90	.545	.404	.384
538-22-17-3052	22-17-3052	B	5	12.60	10.16	.96	.742	.478	.452
538-22-17-3072	22-17-3072	B	7	17.68	15.24	1.20	.787	.598	.567
538-22-17-3082	22-17-3082	B	8	20.22	17.78	1.54	1.19	.909	.727
538-22-17-3092	22-17-3092	B	9	22.76	20.32	1.33	1.09	.997	.887
Gold Plating - Top Entry									
538-22-18-2021	22-18-2021	C	2	4.98	2.54	.38	.251	.19	.173
538-22-18-2031	22-18-2031	C	3	7.52	5.08	.55	.374	.284	.258
538-22-18-2041	22-18-2041	C	4	10.06	7.62	.86	.64	.43	.34
538-22-18-2061	22-18-2061	C	6	15.14	12.70	.98	.646	.491	.465
538-22-18-2081	22-18-2081	C	8	20.22	17.78	1.30	.858	.652	.617
538-22-18-2091	22-18-2091	C	9	22.76	20.32	1.47	.964	.732	.694
538-22-18-2101	22-18-2101	C	10	25.30	22.86	1.63	1.07	.817	.774
538-22-18-2111	22-18-2111	C	11	27.84	25.40	1.30	1.03	.943	.86
538-22-18-2121	22-18-2121	C	12	30.38	27.94	1.67	1.15	.901	.823

.100" HIGH PRESSURE/VIBRATION TERMINAL HOUSINGS WITH LOCKING RAMP

- Housing: Red Nylon, UL 94-0
- Current: 2.5A
- RoHS Compliant per Molex documentation
- Voltage: 250V

For quantities greater than listed, call for quote.

MOUSER STOCK NO.	Molex Part No.	Fig.	No. of Circuits	Dimensions: mm		Price Each			
				A	B	1	10	100	500
538-10-11-2023	10-11-2023	D	2	5.64	2.54	.29	.09	.06	.057
538-10-11-2033	10-11-2033	D	3	8.18	5.08	.43	.13	.09	.085
538-10-11-2043	10-11-2043	D	4	10.72	7.62	.44	.15	.11	.10
538-10-11-2053	10-11-2053	D	5	13.26	10.16	.61	.25	.19	.17
538-10-11-2063	10-11-2063	D	6	15.80	12.70	.18	.179	.176	.137
538-10-11-2073	10-11-2073	D	7	18.34	15.24	.84	.35	.26	.24
538-10-11-2083	10-11-2083	D	8	20.88	17.78	.69	.37	.27	.26
538-10-11-2093	10-11-2093	D	9	23.42	20.32	.69	.443	.328	.311
538-10-11-2103	10-11-2103	D	10	25.96	22.86	.74	.39	.29	.27
538-10-11-2113	10-11-2113	D	11	28.50	25.40	.85	.545	.404	.383
538-10-11-2123	10-11-2123	D	12	31.04	27.94	1.00	.56	.41	.394

.100" CRIMP TERMINALS

- Wire gauge: 22-30AWG
- For use with Fig. A
- RoHS Compliant per Molex documentation

Select Gold (Au) is gold only on the mating area

For quantities greater than listed, call for quote.

MOUSER STOCK NO.	Molex Part No.	Fig.	Contact	Plating	Price Each		
					1	100	500
538-08-50-0114	08-50-0114	E	Brass	Tin	.09	.089	.058
538-08-56-0110	08-56-0110	E	Brass	Gold	.81	.46	.44
538-08-55-0102	08-55-0102	E	Brass	*Select Gold	.33	.14	.13
538-08-52-0123	08-52-0123	E	Phos. Bronze	Tin	.19	.07	.067
538-08-65-0814	08-65-0814	E	Phos. Bronze	Gold	.87	.49	.47
538-08-65-0816	08-65-0816	E	Phos. Bronze	*Select Gold	.32	.16	.14

.100" HIGH PRESSURE CRIMP TERMINALS

- Wire gauge: 22-30AWG
- RoHS Compliant per Molex documentation
- High vibration applications.
- For use with Fig. D

Select Gold (Au) is gold only on the mating area

For quantities greater than listed, call for quote.

MOUSER STOCK NO.	Molex Part No.	Fig.	Contact	Plating	Price Each		
					1	100	500
538-08-55-0129	08-55-0129	F	Brass	*Select Gold	.50	.29	.27

POLARIZING KEYS

- UL94V-2, Nylon
- Snap fit into housings
- RoHS Compliant per Molex documentation

For quantities greater than listed, call for quote.

MOUSER STOCK NO.	Molex Part No.	Description	Price Each		
			1	100	500
538-15-04-9209	15-04-9209	Key	.15	.07	.068

DESIGNER/SERVICE KIT

- Includes: connectors, crimp tool, extraction tool, and storage case

MOUSER STOCK NO.	Molex Part No.	Description	Price Each
538-KK-100	KK-100	.100", 82 connectors	30.00

TOOLS

MOUSER STOCK NO.	Molex Part No.	Description	Price Each
538-11-03-0022	11-03-0022	Extraction tool	6.77
538-63812-0000	63812-0000	Insertion tool	41.58
538-63819-0800	63819-0800	Hand Crimp Tool, 24-30AWG	296.26
538-63811-8200	63811-8200	Hand Crimp Tool, 22-30AWG	305.00