

# MOLEX Pin and Socket Connectors and Tools (.084" - MLX Series)

**MOLEX**  
one company > a world of innovation

## PLUGS

### Series 42021

#### Features:

- Interchangeable, interchangeable, and intermountable with industry-standard versions
- Positive Locks
- Fully isolated contacts
- Circuit ID grooves to reduce assembly errors
- Anti-stress positioning tabs to reduce breakage
- Mates with: Series 42022 Receptacles and Series 42002 Headers
- Material, plug housing: Nylon, UL94V-2, White
- Operating Temperature: -55° to +105°C
- Voltage: 600V ⚡
- UL File No: E29179
- CSA File No: LR19980

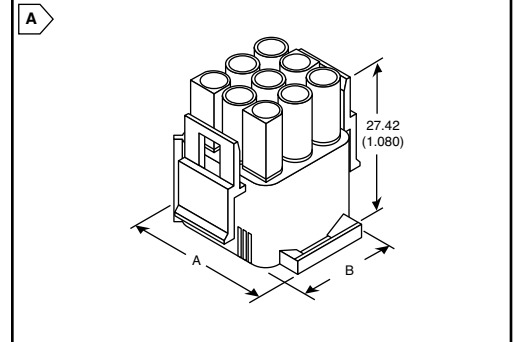


For quantities greater than listed, call for quote.

MOUSER STOCK NO.	Molex Part No.	Fig.	No. of Positions	Amps/Circuit (Max.)*	Dimensions: in.		Price Each			
					A	B	1	10	100	500
538-50-84-1020	50-84-1020	A	2	13.5	0.580	0.550	.45	.29	.152	.118
538-50-84-1030	50-84-1030	A	3	13.5	0.580	0.800	.55	.365	.182	.142
538-50-84-1040	50-84-1040	A	4	13.5	0.580	1.050	.33	.29	.189	.151
538-50-84-1060	50-84-1060	A	6	11	1.080	0.550	.39	.32	.215	.172
538-50-84-1090	50-84-1090	A	9	11	1.080	0.800	.46	.40	.258	.207
538-50-84-1120	50-84-1120	A	12	11	1.080	1.050	.83	.57	.38	.31
538-50-84-1150	50-84-1150	A	15	11	1.080	1.30	.78	.608	.408	.33

\* Ratings are per circuit, based on fully loaded housings

### DIMENSIONS: mm (in.)



## RECEPTACLES

### Series 42022

#### Features:

- Interchangeable, interchangeable and intermountable with industry-standard versions
- Positive locks
- Fully isolated contacts
- Circuit ID grooves to reduce assemble errors
- Anti-stress positioning tabs to reduce breakage
- Mates with: Series 42021
- Material, receptacle housing: Nylon, UL94V-2, White
- Operating Temperature: -55° to +105°C
- Voltage: 600V ⚡
- UL File No: E29179
- CSA File No: LR19980



RoHS Compliant

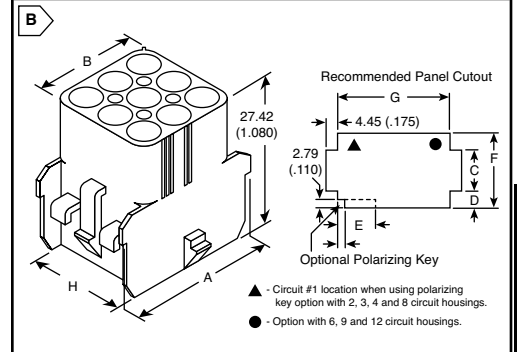


For quantities greater than listed, call for quote.

MOUSER STOCK NO.	Molex Part No.	Fig.	No. of Pos.	Amps/Circuit (Max.)*	Dimensions: in.								Price Each			
					A	B	C**	D	E	F	G	H	1	10	100	500
538-50-84-2020	50-84-2020	B	2	13.5	.62	.300	.340	.095	.250	.53	.565	.550	.82	.57	.38	.31
538-50-84-2030	50-84-2030	B	3	13.5	.62	.300	.340	.095	.250	.53	.815	.800	.56	.345	.267	.221
538-50-84-2040	50-84-2040	B	4	13.5	.62	.300	.340	.095	.250	.53	1.065	1.050	.58	.358	.333	.302
538-50-84-2060	50-84-2060	B	6	11	1.12	.800	.340	.275	.250	1.03	.565	.550	1.17	.665	.492	.48
538-50-84-2090	50-84-2090	B	9	11	1.12	.800	.480	.275	.250	1.03	.815	.800	.84	.522	.465	.388
538-50-84-2120	50-84-2120	B	12	11	1.12	.800	.480	.275	.350	1.03	1.065	1.050	1.69	1.11	1.00	.71
538-50-84-2150	50-84-2150	B	15	11	1.12	.800	.480	.275	.350	1.03	1.315	1.300	1.40	.97	.86	.64

\* Ratings are per circuit, based on fully loaded housings

\*\* Cap housing should be installed into panel in the same direction as the panel cutout is punched



Rectangular Connectors Molex

## VERTICAL HEADERS

#### Features:

- Material: Header Housing: UL94V-2, White; Header Contact: Phosphor Bronze Plating: Tin
- Operating Temperature: -55°C to +105°C
- Voltage: 600V ⚡
- Amperes: 2, 3, 4 circuits all 13.5
- Amperes: 6, 9, 12, 15 circuits all 11.0

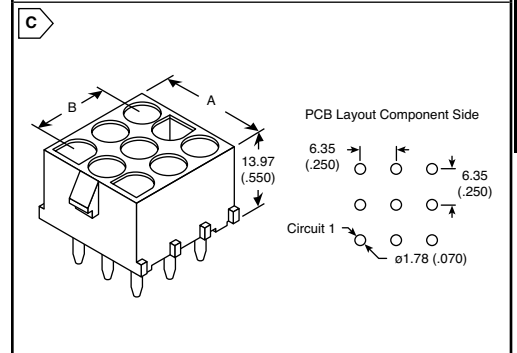


RoHS Compliant

For quantities greater than listed, call for quote.

MOUSER STOCK NO.	Molex Part No.	Fig.	No. of Positions	Description	Dimensions: in.		Price Each			
					A	B	1	10	100	500
538-10-84-4020	10-84-4020	C	2	Male	0.300	0.550	.71	.495	.332	.268
538-10-84-4022	10-84-4022	C	2	Female	0.300	0.550	.85	.52	.266	.24
538-10-84-4030	10-84-4030	C	3	Male	0.300	0.800	.87	.681	.457	.369
538-10-84-4032	10-84-4032	C	3	Female	0.300	0.800	.61	.44	.349	.317
538-10-84-4040	10-84-4040	C	4	Male	0.300	1.050	1.07	.57	.42	.405
538-10-84-4042	10-84-4042	C	4	Female	0.300	1.050	.88	.526	.39	.37
538-10-84-4060	10-84-4060	C	6	Male	0.800	0.550	1.21	.94	.605	.573
538-10-84-4062	10-84-4062	C	6	Female	0.800	0.550	1.42	1.18	.764	.72
538-10-84-4090	10-84-4090	C	9	Male	0.800	0.800	1.50	1.16	.749	.709
538-10-84-4092	10-84-4092	C	9	Female	0.800	0.800	1.52	1.18	.98	.88
538-10-84-4120	10-84-4120	C	12	Male	0.800	1.050	1.67	1.15	.901	.823
538-10-84-4122	10-84-4122	C	12	Female	0.800	1.050	1.85	1.28	.995	.91
538-10-84-4150	10-84-4150	C	15	Male	0.800	1.300	2.12	1.76	1.30	1.04
538-10-84-4152	10-84-4152	C	15	Female	0.800	1.300	1.92	1.63	1.27	1.02

\* Ratings are per circuit, based on fully loaded housings



## CONTACTS

#### Features:

- Plating: Tin
- Insulation Diameter: 10-12AWG: 3.30 (.130) min., 5.08 (.200) max.
- Insulation Diameter: 14-20AWG: 1.52 (.060) min., 3.30 (.130) max.

For quantities greater than listed, call for quote.

MOUSER STOCK NO.	Molex Part No.	Fig.	Wire Size (AWG)	Description	Type	Price Each			
						1	100	500	1000
538-36664-0002	36664-0002	D	10-12	Female	Standard Brass .012"	.12	.11	.106	.095
538-02-08-1002	02-08-1002	D	14-20	Female	Standard Brass .012"	.05	.044	.04	.035
538-02-08-1004	02-08-1004	D	14-20	Female	Phosphor Bronze .012"	.15	.10	.08	.067
538-36663-0002	36663-0002	E	10-12	Male	Standard Brass .012"	.12	.11	.106	.095
538-02-08-2004	02-08-2004	E	14-20	Male	Standard Brass .012"	.06	.046	.042	.037
538-02-08-2006	02-08-2006	E	14-20	Male	Phosphor Bronze .012"	.10	.09	.084	.074

## TOOLS

For quantities greater than listed, call for quote.

MOUSER STOCK NO.	Molex Part No.	Wire Size (AWG)	Description	Price Each
538-11-01-0168	11-01-0168	14-20	Extraction Tool	27.00
538-63811-6800	63811-6800	14-20	Hand Tool	223.83

