

MOLEX Wire-to-Board and Board-to-Board Connectors

one company a world of innovation



This product is RoHS compliant.

PICO-EZMATE™ 1.20MM (.047") PITCH WIRE-TO-BOARD CONNECTORS

Specifications:

- Housing: LCP, UL94V-0, Black
- Contact Plating: Gold
- Voltage: 50V max.
- Current: 1.5A max.

Features:

- Ultra Low Profile
- 1.4mm mated height
- Easy Vertical Mating
- Audible Click to ensure mating integrity

For quantities greater than listed, call for quote.

MOUSER STOCK NO.	Molex Part No.	Fig.	No. of Circuits	Overall Length (mm)	First to Last Circuit (mm)	Price Each			
						1	10	100	500
Receptacle Housings									
538-78172-0002	78172-0002	A	2	2.6	1.2	.48	.208	.124	.115
538-78172-0003	78172-0003	A	3	3.8	2.4	.55	.33	.16	.13
538-78172-0004	78172-0004	A	4	5.0	3.6	.37	.26	.148	.137
538-78172-0005	78172-0005	A	5	6.2	4.8	.53	.24	.167	.15
538-78172-5006	78172-5006	A	6	7.34	6.0	.40	.34	.205	.164
Headers - Vertical									
538-78171-0002	78171-0002	B	2	4.2	1.2	.44	.39	.349	.317
538-78171-0003	78171-0003	B	3	5.4	2.4	.47	.42	.371	.339
538-78171-0004	78171-0004	B	4	6.6	3.6	1.03	.72	.48	.39
538-78171-0005	78171-0005	B	5	7.8	4.8	1.14	.79	.53	.43
538-78171-5006	78171-5006	B	6	9.0	6.0	.80	.662	.496	.413

Terminal - Use with Receptacle Housing

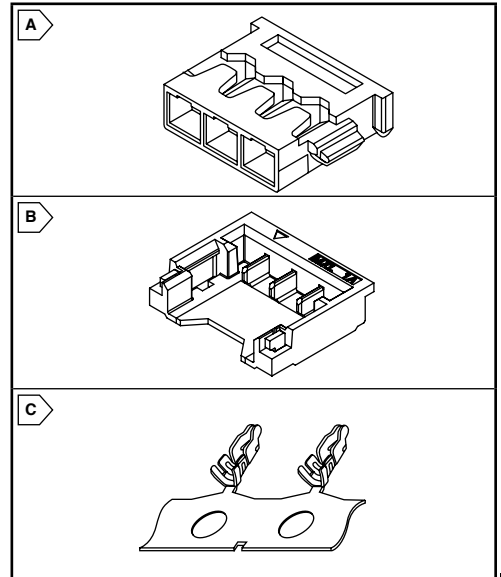
For quantities greater than listed, call for quote.

MOUSER STOCK NO.	Molex Part No.	Fig.	Wire Gauge	Contact	Contact Plating	Price Each			
						1	10	100	500
538-78172-0410	78172-0410	C	28-30	Copper Alloy	Gold	.11	.098	.095	.085

Tooling

For quantities greater than listed, call for quote.

MOUSER STOCK NO.	Molex Part No.	Fig.	Wire Gauge	Description	Price Each
538-63819-4300	63819-4300	-	28-30	Hand Crimp Tool	296.26



DURA CLIK™ 2.00MM (.079") PITCH WIRE-TO-BOARD CONNECTORS

Specifications:

- Housing: Receptacle PBT White, Header PBT Beige
- Contact Plating: Tin
- Voltage: 125V max.
- Current: 3A max.

Features:

- Secure inner lock system
- Wide/long end fitting solder nails
- SMT tail protector
- Positive lock with audible click

For quantities greater than listed, call for quote.

MOUSER STOCK NO.	Molex Part No.	Fig.	No. of Circuits	Overall Length (mm)	First to Last Circuit (mm)	Price Each			
						1	10	100	500
Receptacle Housings									
538-502351-0200	502351-0200	A	2	6.1	4	.37	.32	.286	.265
538-502351-0400	502351-0400	A	4	10.1	8	.48	.34	.323	.261
538-502351-0600	502351-0600	A	6	14.1	12	.54	.45	.434	.381
538-502351-0800	502351-0800	A	8	18.1	16	.49	.47	.455	.402
Headers - Right Angle									
538-502352-0200	502352-0200	B	2	8	4	1.73	1.34	1.02	.746
538-502352-0400	502352-0400	B	4	12	8	1.93	1.49	1.14	1.12
538-502352-0600	502352-0600	B	6	16	12	1.97	1.63	1.21	.881
538-502352-0800	502352-0800	B	8	20	16	2.20	1.82	1.35	.98

Terminal - Female

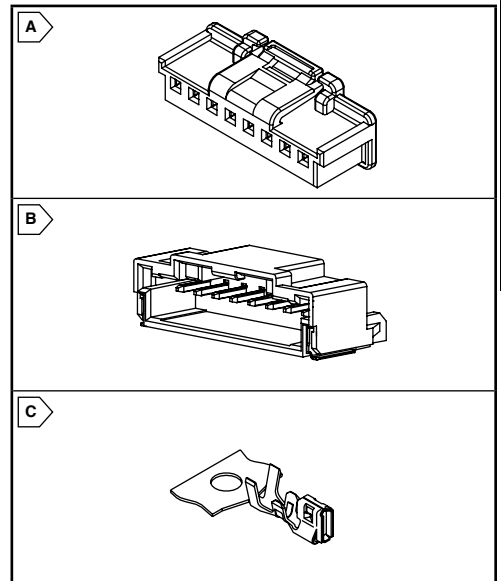
For quantities greater than listed, call for quote.

MOUSER STOCK NO.	Molex Part No.	Fig.	Wire Gauge	Contact	Contact Plating	Price Each			
						1	10	100	500
538-50212-8100	50212-8100	C	24-30	Phosphor Bronze	Tin	.23	.182	.159	.134

Tooling

For quantities greater than listed, call for quote.

MOUSER STOCK NO.	Molex Part No.	Fig.	Wire Gauge	Description	Price Each
538-63819-0500	63819-0500	-	24-30	Hand Crimp Tool	296.26



Rectangular Connectors Molex

FLEXI-MATE™ 3.70MM (.146") PITCH BOARD-TO-BOARD AND WIRE-TO-BOARD CONNECTORS

Specifications:

- Voltage (max.): 500V
- Current (max.): 2.0A max.
- Contact Resistance: 40 milliohms max.
- Dielectric Withstanding Voltage: 1500V AC
- Insulation Resistance: 1,000 Megohms min.

Features:

- Board-to-board, wire-to-board and terminator options
- Positive side latches on crimp housing
- Dual-contact wire-to-board and board-to-board terminal design
- Mating guide features on PCB versions
- Shrouded contacts

For quantities greater than listed, call for quote.

MOUSER STOCK NO.	Molex Part No.	Fig.	No. of Circuits	Overall Length (mm)	First to Last Circuit (mm)	Price Each			
						1	10	100	500
PCB Receptacle									
538-503471-0200	503471-0200	A	2	9.75	3.7	1.01	.70	.47	.38
PCB Plug									
538-503469-0200	503469-0200	B	2	9.3	3.7	1.13	.79	.53	.42
Terminator Receptacle									
538-503474-0200	503474-0200	C	2	9.3	3.7	1.03	.72	.48	.39
Crimp Housing									
538-503473-0200	503473-0200	D	2	12.2	3.7	.89	.55	.31	.25

Crimp Terminal

For quantities greater than listed, call for quote.

MOUSER STOCK NO.	Molex Part No.	Fig.	Plating	AWG	Price Each			
					1	10	100	500
538-503485-0000	503485-0000	E	Tin	26-28	.09	.08	.065	.05

Tooling

For quantities greater than listed, call for quote.

MOUSER STOCK NO.	Molex Part No.	Fig.	Wire Gauge	Description	Price Each
538-63823-5800	63823-5800	-	26-28	Hand Crimp Tool	296.26

