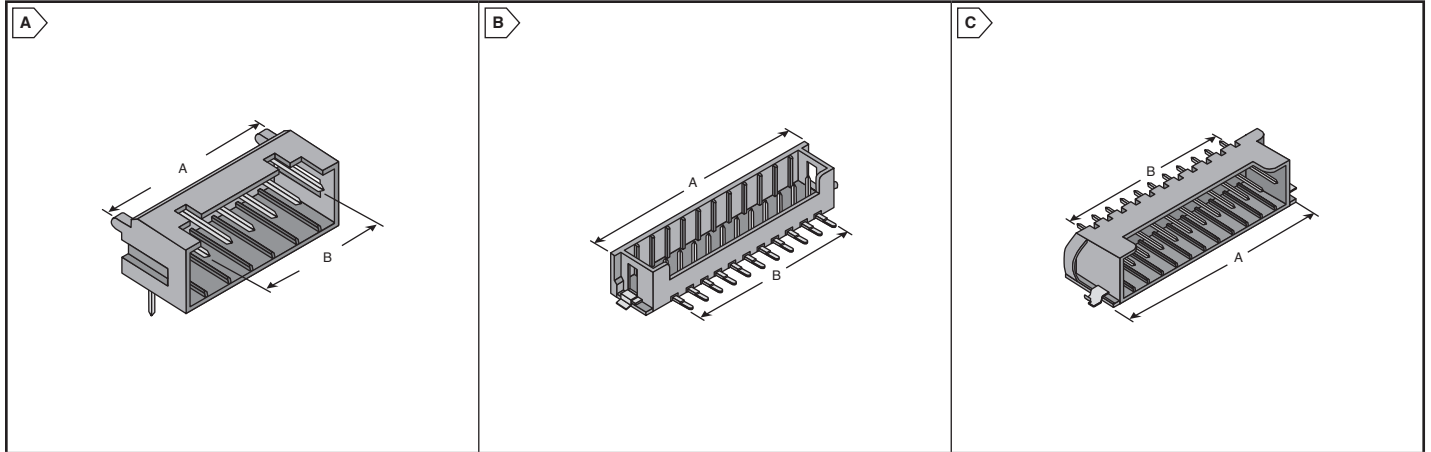


# HIROSE 2.0mm for Single Row Connectors

RoHS Compliant This product is RoHS compliant.

**HR5**  
HIROSE ELECTRIC CO., LTD.



## DF3 SERIES SINGLE ROW CONNECTORS

### Headers (Cont.)

For quantities greater than listed, call for quote.

MOUSER STOCK NO.	Hirose Part No.	Fig.	No. of Circuits	Dim. (mm)		Price Each		
				A	B	1	25	100
<b>Right Angle - Gold - Thru-Hole</b>								
798-DF3Z-2P-2DS01	DF3-2P-2DS(01)	A	2	6	2	.62	.36	.286
798-DF3Z-3P-2DS01	DF3-3P-2DS(01)	A	3	8	4	.63	.45	.363
798-DF3Z-4P-2DS01	DF3-4P-2DS(01)	A	4	10	6	.71	.51	.42
798-DF3Z-5P-2DS01	DF3-5P-2DS(01)	A	5	12	8	.88	.63	.512
798-DF3Z-6P-2DS01	DF3-6P-2DS(01)	A	6	14	10	.99	.71	.582
798-DF3Z-7P-2DS01	DF3-7P-2DS(01)	A	7	16	12	1.13	.814	.664
798-DF3Z-8P-2DS01	DF3-8P-2DS(01)	A	8	18	14	1.25	.89	.735
798-DF3Z-10P-2DS01	DF3-10P-2DS(01)	A	10	22	18	1.50	1.08	.894
<b>Vertical - Tin - SMT</b>								
798-DF3Z-2P-2V20	DF3Z-2P-2V(20)	B	2	8.5	2	.83	.60	.492
798-DF3Z-3P-2V20	DF3Z-3P-2V(20)	B	3	10.5	4	.82	.597	.492
798-DF3Z-4P-2V20	DF3Z-4P-2V(20)	B	4	12.5	6	.87	.62	.512
798-DF3Z-5P-2V20	DF3Z-5P-2V(20)	B	5	14.5	8	.94	.68	.552
798-DF3Z-6P-2V20	DF3Z-6P-2V(20)	B	6	16.5	10	.94	.68	.552
798-DF3Z-8P-2V20	DF3Z-8P-2V(20)	B	8	20.5	14	1.05	.764	.624
798-DF3Z-10P-2V21	DF3Z-10P-2V(21)	B	10	24.5	18	1.35	.977	.804
798-DF3Z-11P-2V21	DF3Z-11P-2V(21)	B	11	26.5	20	1.46	1.05	.87
798-DF3Z-12P-2V21	DF3Z-12P-2V(21)	B	12	28.5	22	1.59	1.14	.944
798-DF3Z-13P-2V21	DF3Z-13P-2V(21)	B	13	30.5	24	1.80	1.29	1.06
798-DF3Z-2P-2V21	DF3Z-2P-2V(21)	B	2	8.5	2	.76	.50	.45
798-DF3Z-3P-2V21	DF3Z-3P-2V(21)	B	3	8.5	2	.84	.55	.49
798-DF3Z-4P-2V21	DF3Z-4P-2V(21)	B	3	10.5	4	.77	.57	.473
798-DF3Z-4P-2V20	DF3Z-4P-2V(20)	B	4	10.5	4	.94	.68	.552
798-DF3Z-4P-2V21	DF3Z-4P-2V(21)	B	4	12.5	6	.91	.66	.54
798-DF3Z-5P-2V20	DF3Z-5P-2V(20)	B	5	12.5	6	.95	.62	.56
798-DF3Z-5P-2V21	DF3Z-5P-2V(21)	B	5	14.5	8	.99	.65	.585
798-DF3Z-6P-2V20	DF3Z-6P-2V(20)	B	6	14.5	8	1.06	.764	.624
798-DF3Z-6P-2V21	DF3Z-6P-2V(21)	B	6	16.5	10	1.06	.77	.63
798-DF3Z-7P-2V21	DF3Z-7P-2V(21)	B	7	18.5	12	1.14	.82	.675
798-DF3Z-8P-2V21	DF3Z-8P-2V(21)	B	8	20.5	14	1.21	.877	.719
798-DF3Z-9P-2V21	DF3Z-9P-2V(21)	B	9	22.5	16	1.29	.85	.765
798-DF3Z-14P-2V21	DF3Z-14P-2V(21)	B	14	32.5	26	1.80	1.30	1.06
798-DF3Z-15P-2V21	DF3Z-15P-2V(21)	B	15	34.5	28	1.92	1.37	1.13
798-DF3Z-14P-2V21	DF3Z-14P-2V(21)	B	14	32.5	26	1.80	1.30	1.06
798-DF3Z-15P-2V21	DF3Z-15P-2V(21)	B	15	34.5	28	1.92	1.37	1.13
<b>Vertical - Gold - SMT</b>								
798-DF3Z-2P-2V50	DF3Z-2P-2V(50)	B	2	8.5	2	.83	.60	.492
798-DF3Z-3P-2V50	DF3Z-3P-2V(50)	B	3	10.5	4	.94	.68	.552
798-DF3Z-4P-2V50	DF3Z-4P-2V(50)	B	4	12.5	6	1.07	.76	.625
798-DF3Z-5P-2V50	DF3Z-5P-2V(50)	B	5	14.5	8	1.18	.84	.695
798-DF3Z-8P-2V50	DF3Z-8P-2V(50)	B	8	20.5	14	1.47	1.05	.895
798-DF3Z-2P-2V50	DF3Z-2P-2V(50)	B	2	8.5	2	.83	.60	.492
798-DF3Z-2P-2V51	DF3Z-2P-2V(51)	B	2	8.5	2	.87	.58	.518
798-DF3Z-3P-2V50	DF3Z-3P-2V(50)	B	3	10.5	4	.94	.68	.552
798-DF3Z-3P-2V51	DF3Z-3P-2V(51)	B	3	10.5	4	.99	.71	.584
798-DF3Z-4P-2V51	DF3Z-4P-2V(51)	B	4	12.5	6	1.06	.77	.63
798-DF3Z-5P-2V50	DF3Z-5P-2V(50)	B	5	14.5	8	1.10	.72	.65
798-DF3Z-5P-2V51	DF3Z-5P-2V(51)	B	5	14.5	8	1.22	.79	.719
798-DF3Z-6P-2V50	DF3Z-6P-2V(50)	B	6	16.5	10	1.24	.892	.765
798-DF3Z-6P-2V51	DF3Z-6P-2V(51)	B	6	16.5	10	1.61	1.15	.949

### Headers (Cont.)

For quantities greater than listed, call for quote.

MOUSER STOCK NO.	Hirose Part No.	Fig.	No. of Circuits	Dim. (mm)		Price Each		
				A	B	1	25	100
<b>Vertical - Gold - SMT (Cont.)</b>								
798-DF3Z-7P-2V51	DF3Z-7P-2V(51)	B	7	18.5	12	1.44	1.03	.854
798-DF3Z-8P-2V51	DF3Z-8P-2V(51)	B	8	20.5	14	1.60	1.15	.944
798-DF3Z-9P-2V51	DF3Z-9P-2V(51)	B	9	22.5	16	1.78	1.17	1.05
798-DF3Z-10P-2V51	DF3Z-10P-2V(51)	A	10	24.5	18	1.82	1.31	1.07
798-DF3Z-11P-2V51	DF3Z-11P-2V(51)	B	11	26.5	20	1.69	1.29	1.04
798-DF3Z-12P-2V51	DF3Z-12P-2V(51)	B	12	28.5	22	1.89	1.45	1.16
798-DF3Z-13P-2V51	DF3Z-13P-2V(51)	B	13	30.5	24	2.23	1.71	1.37
798-DF3Z-14P-2V51	DF3Z-14P-2V(51)	B	14	32.5	26	2.24	1.72	1.37
798-DF3Z-15P-2V51	DF3Z-15P-2V(51)	B	15	34.5	28	2.18	1.50	1.33
<b>Right Angle - Tin - SMT</b>								
798-DF3Z-2P-2H20	DF3Z-2P-2H(20)	C	2	8.5	2	.82	.597	.492
798-DF3Z-5P-2H20	DF3Z-5P-2H(20)	C	5	14.5	8	.94	.68	.552
798-DF3Z-7P-2H20	DF3Z-7P-2H(20)	C	7	18.5	12	.97	.707	.582
798-DF3Z-2P-2H21	DF3Z-2P-2H(21)	C	2	8.5	2	.80	.57	.472
798-DF3Z-3P-2H21	DF3Z-3P-2H(21)	C	3	10.5	4	.81	.60	.495
798-DF3Z-4P-2H20	DF3Z-4P-2H(20)	C	4	12.5	6	.94	.68	.552
798-DF3Z-4P-2H21	DF3Z-4P-2H(21)	C	4	12.5	6	.91	.66	.54
798-DF3Z-5P-2H21	DF3Z-5P-2H(21)	C	5	14.5	8	1.03	.74	.607
798-DF3Z-6P-2H21	DF3Z-6P-2H(21)	C	6	16.5	10	1.10	.72	.652
798-DF3Z-7P-2H20	DF3Z-7P-2H(20)	C	7	18.5	12	1.09	.787	.642
798-DF3Z-7P-2H21	DF3Z-7P-2H(21)	C	7	18.5	12	1.18	.85	.697
798-DF3Z-8P-2H21	DF3Z-8P-2H(21)	C	8	20.5	14	1.29	.93	.764
798-DF3Z-10P-2H21	DF3Z-10P-2H(21)	C	10	24.5	18	1.45	.94	.854
798-DF3Z-11P-2H21	DF3Z-11P-2H(21)	C	11	26.5	20	1.51	.994	.898
798-DF3Z-12P-2H20	DF3Z-12P-2H(20)	C	12	28.5	22	1.33	.87	.78
798-DF3Z-12P-2H21	DF3Z-12P-2H(21)	C	12	28.5	22	1.59	1.14	.944
798-DF3Z-13P-2H21	DF3Z-13P-2H(21)	C	13	30.5	24	1.67	1.10	.99
798-DF3Z-15P-2H21	DF3Z-15P-2H(21)	C	15	34.5	28	1.82	1.31	1.07
<b>Right Angle - Gold - SMT</b>								
798-DF3Z-2P-2H50	DF3Z-2P-2H(50)	C	2	8.5	2	2.21	1.68	1.36
798-DF3Z-3P-2H50	DF3Z-3P-2H(50)	C	3	10.5	4	2.37	1.81	1.45
798-DF3Z-4P-2H50	DF3Z-4P-2H(50)	C	4	12.5	6	2.63	2.02	1.61
798-DF3Z-5P-2H50	DF3Z-5P-2H(50)	C	5	14.5	8	2.92	2.23	1.80
798-DF3Z-8P-2H50	DF3Z-8P-2H(50)	C	8	20.5	14	3.19	2.47	1.97
798-DF3Z-2P-2H51	DF3Z-2P-2H(51)	C	2	8.5	2	.91	.66	.54
798-DF3Z-3P-2H51	DF3Z-3P-2H(51)	C	3	10.5	4	1.10	.72	.652
798-DF3Z-4P-2H50	DF3Z-4P-2H(50)	C	4	12.5	6	2.62	2.01	1.60
798-DF3Z-4P-2H51	DF3Z-4P-2H(51)	C	4	12.5	6	1.22	.79	.719
798-DF3Z-5P-2H51	DF3Z-5P-2H(51)	C	5	14.5	8	1.45	1.04	.854
798-DF3Z-6P-2H51	DF3Z-6P-2H(51)	C	6	16.5	10	1.60	1.15	.944
798-DF3Z-7P-2H51	DF3Z-7P-2H(51)	C	7	18.5	12	1.63	1.18	.967
798-DF3Z-8P-2H51	DF3Z-8P-2H(51)	C	8	20.5	14	1.66	1.14	1.02
798-DF3Z-9P-2H51	DF3Z-9P-2H(51)	C	9	22.5	16	1.80	1.39	1.11
798-DF3Z-10P-2H51	DF3Z-10P-2H(51)	C	10	24.5	18	1.96	1.50	1.20
798-DF3Z-11P-2H51	DF3Z-11P-2H(51)	C	11	26.5	20	2.08	1.60	1.28
798-DF3Z-12P-2H51	DF3Z-12P-2H(51)	C	12	28.5	22	2.18	1.50	1.34
798-DF3Z-13P-2H51	DF3Z-13P-2H(51)	C	13	30.5	24	2.31	1.78	1.42
798-DF3Z-14P-2H51	DF3Z-14P-2H(51)	C	14	32.5	26	2.45	1.89	1.52
798-DF3Z-15P-2H51	DF3Z-15P-2H(51)	C	15	34.5	28	2.74	2.10	1.68