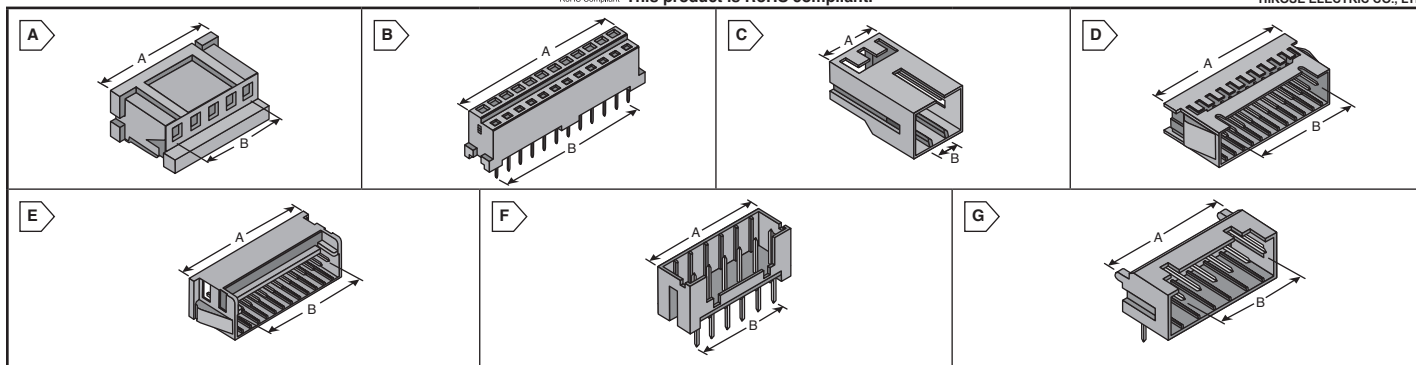


HIROSE 2.0mm for Discrete Wire Connections



HIROSE ELECTRIC CO., LTD.

RoHS Compliant This product is RoHS compliant.



DF3 SERIES SINGLE ROW CONNECTORS

Housings

For quantities greater than listed, call for quote.

MOUSER STOCK NO.	Hirose Part No.	Fig.	No. of Circuits	Dimensions		Price Each		
				A	B	1	25	100
Crimp Receptacle Housings								
798-DF3-2S-2C	DF3-2S-2C	A	2	6	2	.24	.10	.06
798-DF3-3S-2C	DF3-3S-2C	A	3	8	4	.26	.11	.06
798-DF3-4S-2C16	DF3-4S-2C(16)	A	4	10	6	.16	.07	.062
798-DF3-4S-2C	DF3-4S-2C	A	4	10	6	.29	.11	.073
798-DF3-5S-2C	DF3-5S-2C	A	5	12	8	.29	.12	.08
798-DF3-6S-2C	DF3-6S-2C	A	6	14	10	.31	.13	.09
798-DF3-7S-2C	DF3-7S-2C	A	7	16	12	.33	.14	.10
798-DF3-8S-2C	DF3-8S-2C	A	8	18	14	.28	.13	.10
798-DF3-9S-2C	DF3-9S-2C	A	9	20	16	.30	.14	.10
798-DF3-10S-2C	DF3-10S-2C	A	10	22	18	.33	.15	.112
798-DF3-12S-2C	DF3-12S-2C	A	12	26	22	.35	.15	.122
798-DF3-14S-2C	DF3-14S-2C	A	14	30	26	.38	.17	.132
798-DF3-15S-2C	DF3-15S-2C	A	15	32	28	.39	.19	.135
PCB Receptacles - Vertical - Tin - Thru-Hole								
798-DF3-2S-2DSA25	DF3-2S-2DSA(25)	B	2	6	2	.83	.54	.492
798-DF3-3S-2DSA25	DF3-3S-2DSA(25)	B	3	8	4	.97	.634	.582
798-DF3-4S-2DSA25	DF3-4S-2DSA(25)	B	4	10	6	1.10	.73	.653
798-DF3-5S-2DSA25	DF3-5S-2DSA(25)	B	5	12	8	1.29	.85	.765
798-DF3-6S-2DSA25	DF3-6S-2DSA(25)	B	6	14	10	1.36	.919	.824
798-DF3-7S-2DSA25	DF3-7S-2DSA(25)	B	7	16	12	1.47	1.00	.894
798-DF3-8S-2DSA25	DF3-8S-2DSA(25)	B	8	18	14	1.59	1.17	1.05
798-DF3-9S-2DSA25	DF3-9S-2DSA(25)	B	9	20	16	1.89	1.36	1.11
798-DF3-10S-2DSA25	DF3-10S-2DSA(25)	B	10	22	18	1.73	1.19	1.06
PCB Receptacles - Vertical - Gold - Thru-Hole								
798-DF3-2S-2DSA55	DF3-2S-2DSA(55)	B	2	6	2	.97	.634	.582
798-DF3-3S-2DSA55	DF3-3S-2DSA(55)	B	3	8	4	1.28	.839	.754
798-DF3-4S-2DSA55	DF3-4S-2DSA(55)	B	4	10	6	1.49	.97	.875
798-DF3-5S-2DSA55	DF3-5S-2DSA(55)	B	5	12	8	1.71	1.12	1.00
798-DF3-6S-2DSA55	DF3-6S-2DSA(55)	B	6	14	10	1.93	1.28	1.15
798-DF3-7S-2DSA55	DF3-7S-2DSA(55)	B	7	16	12	1.85	1.26	1.14
798-DF3-8S-2DSA55	DF3-8S-2DSA(55)	B	8	18	14	2.02	1.54	1.36
798-DF3-10S-2DSA55	DF3-10S-2DSA(55)	B	10	22	18	2.43	1.71	1.52
Crimp Plug Housings								
798-DF3-2EP-2C	DF3-2EP-2C	C	2	6	2	.40	.19	.145
798-DF3-3EP-2C	DF3-3EP-2C	C	3	8	4	.46	.21	.163
798-DF3-4EP-2C	DF3-4EP-2C	C	4	10	6	.50	.23	.172
798-DF3-5EP-2C	DF3-5EP-2C	C	5	12	8	.54	.256	.195
798-DF3-6EP-2C	DF3-6EP-2C	C	6	14	10	.43	.25	.197
798-DF3-7EP-2C	DF3-7EP-2C	C	7	16	12	.48	.275	.214
798-DF3-8EP-2C	DF3-8EP-2C	C	8	18	14	.51	.31	.235
Crimp Plug Housings - Panel Locks								
798-DF3AA-2EP-2C	DF3AA-2EP-2C	D	2	11	2	.47	.223	.162
798-DF3AA-3EP-2C	DF3AA-3EP-2C	D	3	13	4	.53	.253	.192
798-DF3AA-4EP-2C	DF3AA-4EP-2C	D	4	15	6	.42	.248	.196
798-DF3AA-5EP-2C	DF3AA-5EP-2C	D	5	17	8	.47	.275	.214
798-DF3AA-6EP-2C	DF3AA-6EP-2C	D	6	19	10	.50	.295	.234
798-DF3AA-7EP-2C	DF3AA-7EP-2C	D	7	21	12	.54	.318	.246
798-DF3AA-8EP-2C	DF3AA-8EP-2C	D	8	23	14	.57	.338	.266
798-DF3AA-9EP-2C	DF3AA-9EP-2C	D	9	25	16	.61	.369	.289
798-DF3AA-10EP-2C	DF3AA-10EP-2C	D	10	27	18	.65	.388	.296
798-DF3AA-11EP-2C	DF3AA-11EP-2C	D	11	29	20	.69	.408	.316
798-DF3AA-12EP-2C	DF3AA-12EP-2C	D	12	31	22	.73	.431	.339
798-DF3AA-13EP-2C	DF3AA-13EP-2C	D	13	33	24	.58	.42	.338
798-DF3AA-14EP-2C	DF3AA-14EP-2C	D	14	35	26	.61	.44	.358
798-DF3AA-15EP-2C	DF3AA-15EP-2C	D	15	37	28	.64	.46	.378
Adapters - Male-Male - Panel Locks								
798-DF3-2EP-2A	DF3-2EP-2A	E	2	11	2	.72	.52	.418
798-DF3-3EP-2A	DF3-3EP-2A	E	3	13	4	.80	.568	.466
798-DF3-4EP-2A	DF3-4EP-2A	E	4	15	6	.91	.649	.534
798-DF3-5EP-2A	DF3-5EP-2A	E	5	17	8	.98	.71	.58
798-DF3-15EP-2A	DF3-15EP-2A	E	15	37	28	1.86	1.33	1.10

Crimp Contacts

For quantities greater than listed, call for quote.

MOUSER STOCK NO.	Hirose Part No.	Fig.	Plating	AWG	Price Each		
					1	25	100
Female							
798-DF3-2428SCC	DF3-2428SCC	-	Gold	24-28	.31	.19	.107
798-DF3-22SC	DF3-22SC	-	Tin	22	.24	.09	.062
798-DF3-2428SC	DF3-2428SC	-	Tin	24-28	.26	.09	.073
Male							
798-DF3-EP2428PCA	DF3-EP2428PCA	-	Gold	24-28	.29	.24	.211
798-DF3-EP2428PC	DF3-EP2428PC	-	Tin	24-28	.29	.20	.085

Crimp Contacts (Reels)

MOUSER STOCK NO.	Hirose Part No.	Fig.	Plating	AWG	Reel Qty.	Price Each	
						1	25
Female							
798-DF3-22SCFC	DF3-22SCFC	-	Gold	22	10000	.06	
798-DF3-2428SCFC	DF3-2428SCFC	-	Gold	24-28	10000	.06	
798-DF3-22SCF	DF3-22SCF	-	Tin	22	10000	.03	
798-DF3-2428SCF	DF3-2428SCF	-	Tin	24-28	10000	.03	
Male							
798-DF3-EP2428PCFA	DF3-EP2428PCFA	-	Gold	24-28	10000	.09	
798-DF3-EP2428PCF	DF3-EP2428PCF	-	Tin	24-28	10000	.04	

Tooling

For quantities greater than listed, call for quote.

MOUSER STOCK NO.	Hirose Part No.	Description	Price Each
798-DF3TA2428HC	DF3-TA2428HC	Hand Tool with Die 24-28AWG Fem	591.85
798-DF3-TA22HC	DF3-TA22HC	Hand Tool 22 AWG Fem	887.90
798-DF3EP-TA2428HC	DF3EP-TA2428HC	Hand Tool 24-28AWG Male	865.80

Headers

For quantities greater than listed, call for quote.

MOUSER STOCK NO.	Hirose Part No.	Fig.	No. of Circuits	Dimensions		Price Each		
				A	B	1	25	100
Vertical - Tin - Thru-hole								
798-DF3A-2P-2DSA	DF3A-2P-2DSA	F	2	6	2	.31	.13	.09
798-DF3A-3P-2DSA	DF3A-3P-2DSA	F	3	8	4	.37	.16	.11
798-DF3A-4P-2DSA	DF3A-4P-2DSA	F	4	10	6	.35	.16	.123
798-DF3A-5P-2DSA	DF3A-5P-2DSA	F	5	12	8	.44	.20	.152
798-DF3A-6P-2DSA	DF3A-6P-2DSA	F	6	14	10	.49	.22	.173
798-DF3A-7P-2DSA	DF3A-7P-2DSA	F	7	16	12	.42	.25	.195
798-DF3A-8P-2DSA	DF3A-8P-2DSA	F	8	18	14	.46	.28	.215
798-DF3A-9P-2DSA	DF3A-9P-2DSA	F	9	20	16	.51	.30	.237
798-DF3A-10P-2DSA	DF3A-10P-2DSA	F	10	22	18	.53	.31	.237
798-DF3A-12P-2DSA	DF3A-12P-2DSA	F	12	26	22	.57	.34	.259
798-DF3A-13P-2DSA	DF3A-13P-2DSA	F	13	28	24	.58	.307	.266
798-DF3A-14P-2DSA	DF3A-14P-2DSA	F	14	30	26	.61	.32	.279
798-DF3A-15P-2DSA	DF3A-15P-2DSA	F	15	32	28	.63	.338	.286
Vertical - Gold - Thru Hole								
798-DF3-2P-2DSA01	DF3-2P-2DSA(01)	F	2	6	2	.53	.32	.242
798-DF3-6P-2DSA01	DF3-6P-2DSA(01)	F	6	14	10	.83	.59	.492
Right Angle - Tin - Thru Hole								
798-DF3A-2P-2DS	DF3A-2P-2DS	G	2	6	2	.35	.14	.103
798-DF3A-3P-2DS	DF3A-3P-2DS	G	3	8	4	.34	.15	.112
798-DF3A-4P-2DS	DF3A-4P-2DS	G	4	10	6	.39	.18	.132
798-DF3A-5P-2DS	DF3A-5P-2DS	G	5	12	8	.51	.24	.175
798-DF3A-6P-2DS	DF3A-6P-2DS	G	6	14	10	.54	.26	.185
798-DF3A-7P-2DS	DF3A-7P-2DS	G	7	16	12	.42	.25	.195
798-DF3A-8P-2DS	DF3A-8P-2DS	G	8	18	14	.55	.33	.255
798-DF3A-9P-2DS	DF3A-9P-2DS	G	9	20	16	.60	.35	.279
798-DF3A-10P-2DS	DF3A-10P-2DS	G	10	22	18	.62	.37	.287
798-DF3A-11P-2DS	DF3A-11P-2DS	G	11	24	20	.65	.38	.297
798-DF3A-12P-2DS	DF3A-12P-2DS	G	12	26	22	.67	.402	.309
798-DF3A-14P-2DS	DF3A-14P-2DS	G	14	30	26	.72	.42	.329
798-DF3A-15P-2DS	DF3A-15P-2DS	G	15	32	28	.74	.441	.339