

HIROSE Wire-to-Board Connectors



HIROSE ELECTRIC CO., LTD.

RoHS Compliant This product is RoHS compliant.

DF13 SERIES- 1.25MM MINIATURE CRIMPING CONNECTORS

Headers-Single Row Cont.

For quantities greater than listed, call for quote.

MOUSER STOCK NO.	Hirose Part No.	Fig.	No. of Positions	Dimensions: mm		Price Each		
				A	B	1	25	100
Single Row - Vertical - Gold - SMT - With Boss Cont.								
798-DF13B2P125V50	DF13B-2P-1.25V(50)	A	2	7.15	1.25	.80	.57	.47
798-DF13B3P125V50	DF13B-3P-1.25V(50)	A	3	8.40	2.50	.99	.71	.582
798-DF13B5P125V50	DF13B-5P-1.25V(50)	A	5	10.90	5.00	1.36	.984	.804
798-DF13B6P125V50	DF13B-6P-1.25V(50)	A	6	12.15	6.25	1.52	1.09	.895
Single Row - Vertical - Gold - SMT - Without Boss								
798-DF13C2P125V50	DF13C-2P-1.25V(50)	A	2	4.15	1.25	.83	.597	.492
798-DF13C-2P-1.25V51	DF13C-2P-1.25V(51)	A	2	4.15	1.25	.73	.53	.434
798-DF13C3P125V50	DF13C-3P-1.25V(50)	A	3	5.40	2.50	.99	.71	.582
798-DF13C-3P-1.25V51	DF13C-3P-1.25V(51)	A	3	5.40	2.50	.87	.57	.517
798-DF13C4P125V50	DF13C-4P-1.25V(50)	A	4	6.65	3.75	1.26	.90	.735
798-DF13C-4P-1.25V51	DF13C-4P-1.25V(51)	A	4	6.65	3.75	1.10	.72	.652
798-DF13C-5P-1.25V51	DF13C-5P-1.25V(51)	A	5	7.90	5.00	1.25	.90	.742
798-DF13C6P125V50	DF13C-6P-1.25V(50)	A	6	9.15	6.25	1.52	1.09	.895
798-DF13C-6P-1.25V51	DF13C-6P-1.25V(51)	A	6	9.15	6.25	1.41	1.01	.832
798-DF13C-7P-1.25V51	DF13C-7P-1.25V(51)	A	7	10.40	7.50	1.44	1.04	.855
798-DF13C-8P-1.25V51	DF13C-8P-1.25V(51)	A	8	11.65	8.75	1.71	1.13	1.01
798-DF13C-9P-1.25V51	DF13C-9P-1.25V(51)	A	9	12.90	10.00	1.82	1.31	1.07
798-DF13C-10P1.25V51	DF13C-10P-1.25V(51)	A	10	14.15	11.25	1.69	1.29	1.04
798-DF13C-12P1.25V51	DF13C-12P-1.25V(51)	A	12	16.65	13.75	1.85	1.43	1.14
798-DF13C-14P1.25V51	DF13C-14P-1.25V(51)	A	14	19.15	16.25	2.10	1.62	1.30
Single Row - Right Angle - Tin - SMT - With Boss								
798-DF132P125H20	DF13-2P-1.25H(20)	A	2	4.15	1.25	.62	.37	.284
798-DF133P125H20	DF13-3P-1.25H(20)	A	3	5.40	2.50	.70	.41	.326
798-DF134P125H20	DF13-4P-1.25H(20)	A	4	6.65	3.75	.65	.461	.377
798-DF135P125H20	DF13-5P-1.25H(20)	A	5	7.90	5.00	.70	.51	.413
798-DF136P125H20	DF13-6P-1.25H(20)	A	6	9.15	6.25	.76	.55	.442
798-DF137P125H20	DF13-7P-1.25H(20)	A	7	10.40	7.50	.87	.627	.512
798-DF138P125H20	DF13-8P-1.25H(20)	A	8	11.65	8.75	1.07	.76	.625
798-DF139P125H20	DF13-9P-1.25H(20)	A	9	12.90	10.00	1.10	.80	.653
798-DF1310P125H20	DF13-10P-1.25H(20)	A	10	14.15	11.25	1.18	.84	.695
798-DF1315P125H20	DF13-15P-1.25H(20)	A	15	20.40	17.50	1.52	1.09	.895
Single Row - Right Angle - Tin - SMT - Without Boss								
798-DF13A2P125H20	DF13A-2P-1.25H(20)	A	2	4.15	1.25	.63	.37	.286
798-DF13A3P125H20	DF13A-3P-1.25H(20)	A	3	5.40	2.50	.69	.41	.326
798-DF13A4P125H20	DF13A-4P-1.25H(20)	A	4	6.65	3.75	.65	.46	.378
798-DF13A5P125H20	DF13A-5P-1.25H(20)	A	5	7.90	5.00	.71	.51	.412
798-DF13A6P125H20	DF13A-6P-1.25H(20)	A	6	9.15	6.25	.76	.55	.442
798-DF13A8P125H20	DF13A-8P-1.25H(20)	A	8	11.65	8.75	.99	.71	.582
798-DF13A14P125H20	DF13A-14P-1.25H(20)	A	14	19.15	16.25	1.48	1.06	.874
798-DF13A15P125H20	DF13A-15P-1.25H(20)	A	15	20.40	17.50	1.51	1.09	.894
Single Row - Right Angle - Gold - SMT - With Boss								
798-DF132P125H50	DF13-2P-1.25H(50)	A	2	4.15	1.25	.84	.60	.492
798-DF133P125H50	DF13-3P-1.25H(50)	A	3	5.40	2.50	.99	.71	.582
798-DF134P125H50	DF13-4P-1.25H(50)	A	4	6.65	3.75	1.18	.84	.697
798-DF135P125H50	DF13-5P-1.25H(50)	A	5	7.90	5.00	1.37	.98	.805
798-DF139P125H50	DF13-9P-1.25H(50)	A	9	12.90	10.00	1.73	1.33	1.06
798-DF1310P125H50	DF13-10P-1.25H(50)	A	10	14.15	11.25	1.81	1.39	1.12
798-DF1312P125H50	DF13-12P-1.25H(50)	A	12	19.65	13.75	2.02	1.54	1.24
798-DF1314P125H50	DF13-14P-1.25H(50)	A	14	20.90	15.75	2.28	1.75	1.40
Single Row - Right Angle - Gold - SMT - Without Boss								
798-DF13A2P125H50	DF13A-2P-1.25H(50)	A	2	4.15	1.25	.84	.60	.492
798-DF13A3P125H50	DF13A-3P-1.25H(50)	A	3	5.40	2.50	.99	.71	.582
798-DF13A4P125H50	DF13A-4P-1.25H(50)	A	4	6.65	3.75	1.26	.90	.735
798-DF13A5P125H50	DF13A-5P-1.25H(50)	A	5	7.90	5.00	1.36	.984	.804
798-DF13A6P125H50	DF13A-6P-1.25H(50)	A	6	9.15	6.25	1.52	1.09	.895
798-DF13A8P125H50	DF13A-8P-1.25H(50)	A	8	11.65	8.75	1.83	1.31	1.07
798-DF13A12P125H50	DF13A-12P-1.25H(50)	A	12	16.65	13.75	2.02	1.54	1.24
798-DF13A14P125H50	DF13A-14P-1.25H(50)	A	14	19.15	16.25	2.28	1.75	1.40

Housings-Double Row

For quantities greater than listed, call for quote.

Crimp Receptacle Housings - Double Row								
798-DF13-10DS-1.25C	DF13-10DS-1.25C	B	10	10.40	5.00	.35	.17	.125
798-DF13-20DS-1.25C	DF13-20DS-1.25C	B	20	16.65	11.25	.42	.20	.145
798-DF13-30DS-1.25C	DF13-30DS-1.25C	B	30	22.90	17.50	.51	.23	.172
798-DF13-40DS-1.25C	DF13-40DS-1.25C	B	40	29.15	23.75	.41	.25	.185

Headers-Double Row

For quantities greater than listed, call for quote.

Double Row - Vertical - Gold - Thru Hole - With Boss								
798-DF1340DS125DSA55	DF13-40DS-1.25DSA(55)	C	40	30.85	23.75	4.61	3.57	2.85
Double Row - Vertical - Tin - SMT - With Boss								
798-DF1310DP125V25	DF13-10DP-1.25V(25)	C	10	12.10	5.00	1.10	.80	.653
798-DF1320DP125V25	DF13-20DP-1.25V(25)	C	20	18.35	11.25	1.60	1.16	.945
Double Row - Vertical - Tin - SMT - Without Boss								
798-DF13A10DP125V25	DF13A-10DP-1.25V(25)	C	10	12.10	5.00	1.06	.77	.63
798-DF13A20DP125V25	DF13A-20DP-1.25V(25)	C	20	18.35	11.25	1.60	1.16	.945
Double Row - Vertical - Gold - SMT - With Boss								
798-DF1310DP125V55	DF13-10DP-1.25V(55)	C	10	12.10	5.00	1.18	.84	.695
798-DF1330DP125V55	DF13-30DP-1.25V(55)	C	30	24.60	17.50	2.02	1.54	1.24
798-DF1340DP125V55	DF13-40DP-1.25V(55)	C	40	30.85	23.75	2.51	1.93	1.54
Double Row - Vertical - Gold - SMT - Without Boss								
798-DF13A40DP125V55	DF13A-40DP-1.25V(55)	C	40	30.85	23.75	2.51	1.93	1.54

Contacts

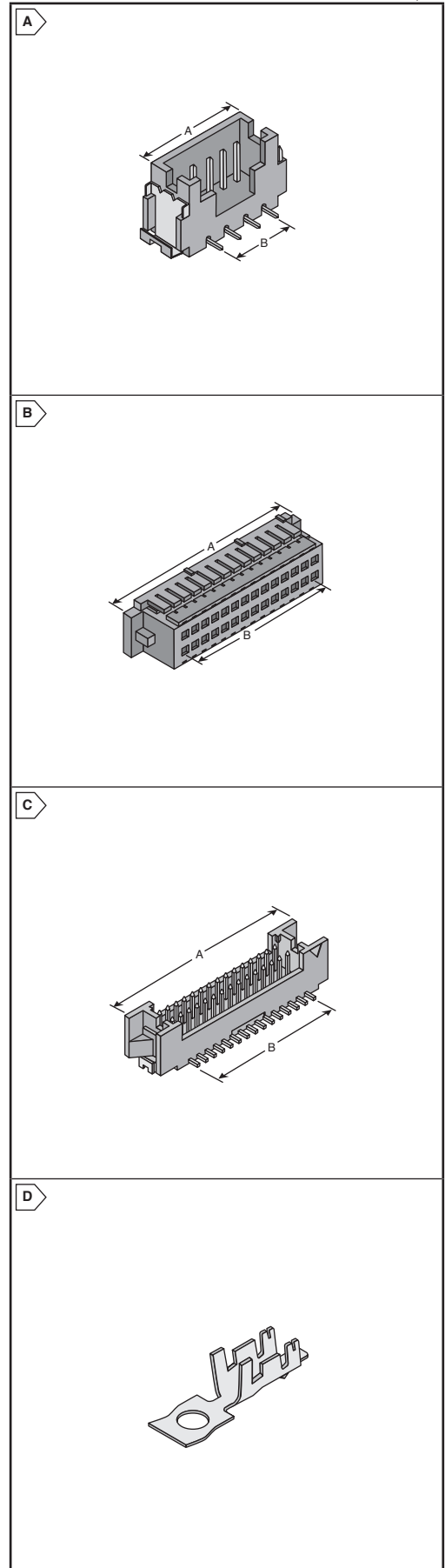
For quantities greater than listed, call for quote.

MOUSER STOCK NO.	Hirose Part No.	Fig.	AWG	Plating	Type	Price Each		
						1	25	100
798-DF13-2630SCF	DF13-2630SCF	D	26-30	Tin	Female	.14	.10	.033
798-DF13-2630SCFA	DF13-2630SCFA	D	26-30	Gold	Female	.30	.17	.076

Tools

For quantities greater than listed, call for quote.

MOUSER STOCK NO.	Hirose Part No.	Fig.	Description	AWG	Price Each
798-DF13TB2630HC	DF13-TB2630HC	--	Crimp Hand Tool w/dies	26-30	986.70



Rectangular Connectors Hirose