

# HIROSE High Speed Connectors



This product is RoHS compliant.



## FX20 SERIES 0.5 MM PITCH FLOATING STACKING BOARD TO BOARD CONNECTORS

### Features:

- Floating range: X direction: ± 0.6 to 0.8mm, Y direction: ± 0.6mm
- The Double beam contact design ensures a highly reliable contact
- Effective contact length of 1.5mm
- No restrictions on pattern area
- Capability of automatic mounting
- Self aligning and self-guiding



### Receptacles

For quantities greater than listed, call for quote.

MOUSER STOCK NO.	Hirose Part No.	Fig.	No. of Positions	Dimensions: mm		Price Each		
				A	B	1	25	100
798-FX20-60S0.5SV	FX20-60S-0.5SV	A	60	14.5	27.4	5.28	4.41	3.35
798-FX20-60S0.5SV10	FX20-60S-0.5SV10	B	60	14.5	27.4	6.16	5.14	3.91
798-FX20-120S0.5SV	FX20-120S-0.5SV	A	120	29.5	42.4	6.42	5.36	4.08
798-FX20-120S0.5SV10	FX20-120S-0.5SV10	B	120	29.5	42.4	7.77	6.49	4.93

### Headers

For quantities greater than listed, call for quote.

MOUSER STOCK NO.	Hirose Part No.	Fig.	No. of Positions	Dimensions: mm		Price Each		
				A	B	1	25	100
798-FX20-60P0.5SV15	FX20-60P-0.5SV15	C	60	14.5	27.4	6.16	5.14	3.91
798-FX20-60P0.5SV20	FX20-60P-0.5SV20	D	60	14.5	27.4	6.45	5.38	4.09
798-FX20-120P0.5SV15	FX20-120P-0.5SV15	C	120	29.5	42.4	7.77	6.49	4.93
798-FX20-120P0.5SV20	FX20-120P-0.5SV20	D	120	29.5	42.4	8.06	6.73	5.12

## FX11 SERIES 0.5MM PITCH BOARD-TO-BOARD CONNECTORS

### Features:

- The transmission characteristics have been improved through a design that fixes ground plates to both sides of the header and receptacle
- Signal and ground are arranged in a ratio of 10:1 to stabilize the ground
- The secured mating length of the contact block is 0.55mm

### Receptacles

For quantities greater than listed, call for quote.

MOUSER STOCK NO.	Hirose Part No.	Fig.	Signal	Ground	Ground Plate	Dimensions: mm		Price Each		
						A	B	1	25	100
798-FX11LA60S6SV71	FX11LA-60S/6-SV(71)	E	60	6	with	17.5	25	4.98	3.86	3.09
798-FX11LA80S8SV71	FX11LA-80S/8-SV(71)	E	80	8	with	23.5	31	5.54	4.29	3.44
798-FX11LA92SSV21	FX11LA-92S-SV(21)	E	92	-	without	24	31	4.67	3.61	2.89
798-FX11LA100S10SV71	FX11LA-100S/10-SV(71)	E	100	10	with	29.5	37	6.09	4.72	3.78
798-FX11LA120S12SV71	FX11LA-120S/12-SV(71)	E	120	12	with	35.5	43	6.64	5.15	4.11
* 798-FX11LB120S12SV71	FX11LB-120S/12-SV(71)	E	120	12	with	35.5	43	6.64	5.14	4.11

\* Without Guideposts

### Headers

MOUSER STOCK NO.	Hirose Part No.	Fig.	Signal	Ground	Ground Plate	Dimensions: mm		Price Each		
						A	B	1	25	100
798-FX11LA60P6SV71	FX11LA-60P/6-SV(71)	F	60	6	with	17.5	25	4.82	3.73	2.98
798-FX11LA80P8SV71	FX11LA-80P/8-SV(71)	F	80	8	with	23.5	31	5.36	4.15	3.33
798-FX11LA92PSV21	FX11LA-92P-SV(21)	F	92	-	without	24	31	3.92	3.03	2.43
798-FX11LA100P10SV71	FX11LA-100P/10-SV(71)	F	100	10	with	29.5	37	5.88	4.57	3.65
798-FX11LA120P12SV71	FX11LA-120P/12-SV(71)	F	120	12	with	35.5	43	6.41	4.97	3.98
* 798-FX11LB120P12SV71	FX11LB-120P/12-SV(71)	F	120	12	with	35.5	43	6.41	4.96	3.97

\* Without Guideposts

## IT3 HIGH-SPEED MEZZANINE CONNECTORS

### Features:

- Handles speeds over 10+Gbps
- Differential, single ended, and power
- Low mating/extracting forces
- Wide misalignment tolerances
- Stacking heights from 15 to 40mm
- Both SnPb and Pb-free are available
- Excellent reflow solderability



### SnPb Receptacle

For quantities greater than listed, call for quote.

MOUSER STOCK NO.	Hirose Part No.	Fig.	No. of Pos.	Type	Dimensions: mm		Price Each			
					A	B	1	25	100	250
798-IT3M-300S-BGA57	IT3M-300S-BGA(57)	G	300	Mounting	56.0	19.2	38.00	35.45	32.91	32.28

### Pb Free Receptacles

For quantities greater than listed, call for quote.

MOUSER STOCK NO.	Hirose Part No.	Fig.	No. of Pos.	Type	Dimensions: mm		Price Each			
					A	B	1	25	100	250
798-IT3D-200S-BGA37	IT3D-200S-BGA(37)	H	200	Mating	38.5	19.2	25.63	23.87	22.56	21.44
798-IT3M-200S-BGA37	IT3M-200S-BGA(37)	G	200	Mounting	38.5	19.2	25.34	23.65	22.75	21.97
798-IT3D-300S-BGA37	IT3D-300S-BGA(37)	H	300	Mating	56.0	19.2	29.96	28.03	27.27	26.45
798-IT3M-300S-BGA37	IT3M-300S-BGA(37)	G	300	Mounting	56.0	19.2	34.65	33.04	32.65	31.78

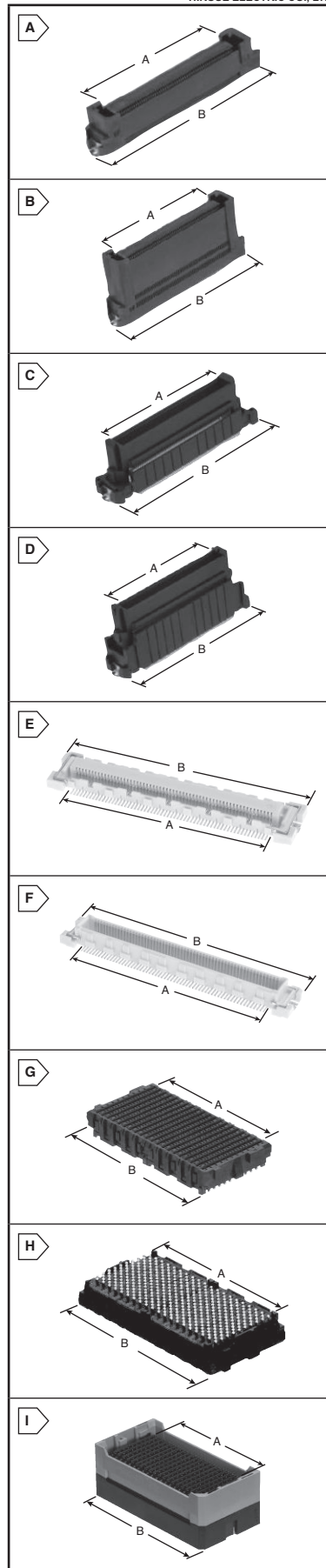
### Interposers

For quantities greater than listed, call for quote.

MOUSER STOCK NO.	Hirose Part No.	Fig.	No. of Pos.	Stack Height (mm)	Dimensions: mm		Price Each			
					A ± .5	B ± .5	1	25	100	250
798-IT3-300P-17H03	IT3-300P-17H(03)	I	300	17	59.0	21.0	47.67	45.78	43.87	42.89
798-IT3-300P-20H03	IT3-300P-20H(03)	I	300	20	18.8	21.0	50.42	47.74	45.91	44.99
798-IT3-200P-25H03	IT3-200P-25H(03)	I	200	25	23.8	21.0	38.08	35.54	33.00	32.35
798-IT3-300P-26H03	IT3-300P-26H(03)	I	300	26	24.8	21.0	51.47	49.98	48.79	46.65

© Copyright 2012 Mouser Electronics

© Copyright 2012 Mouser Electronics



Rectangular Connectors Hirose