

HIROSE Connectors



This product is RoHS compliant.

HR5

HIROSE ELECTRIC CO., LTD.

DF40 SERIES - 0.4MM CONTACT PITCH BOARD-TO-BOARD/BOARD-TO-FPC CONNECTORS

- Space saving with the world shortest depth of 3.38mm
- Long effective mating length: 0.45mm, the highest level for 1.5mm stacking height connectors
- Self alignment range: 0.33mm by guide ribs utilizing dead space
- Ribs provided inside of both header and socket connectors absorb shocks and stresses by fitting concavo and convex
- Receptacle with nickel barriered contact and integral molding header prevent solder wicking



Receptacles

For quantities greater than listed, call for quote.

MOUSER STOCK NO.	Hirose Part No.	Fig.	No. of Contacts	Dimensions: mm			Price Each		
				A	B		1	25	100
1.5mm Stacking Height									
798-DF40C10DS0.4V51	DF40C-10DS-0.4V(51)	A	10	4.6	1.6		.68	.40	.316
798-DF40C20DS0.4V51	DF40C-20DS-0.4V(51)	A	20	6.6	3.6		.68	.49	.40
798-DF40C30DS0.4V51	DF40C-30DS-0.4V(51)	A	30	8.6	5.6		.88	.63	.512
798-DF40C40DS0.4V51	DF40C-40DS-0.4V(51)	A	40	10.6	7.6		.86	.76	.622
798-DF40C50DS0.4V51	DF40C-50DS-0.4V(51)	A	50	12.6	9.6		1.25	.904	.734
798-DF40C80DS0.4V51	DF40C-80DS-0.4V(51)	A	80	18.6	15.6		1.89	1.37	1.12
798-DF40C90DS0.4V51	DF40C-90DS-0.4V(51)	A	90	20.6	17.6		1.26	1.15	1.04
798-DF40C100DS0.4V51	DF40C-100DS-0.4V(51)	A	100	22.6	19.6		2.02	1.54	1.24
2.0mm Stacking Height									
798-DF40C2080DS04V51	DF40C(2.0)-80DS-0.4V(51)	A	80	18.6	15.6		2.00	1.53	1.23
2.5mm Stacking Height									
798-DF40HC2560DS04V	DF40HC(2.5)-60DS-0.4V(51)	A	60	14.6	11.6		1.70	1.30	1.05
3.0mm Stacking Height									
798-DF40HC3044DS04V	DF40HC(3.0)-44DS-0.4V(51)	A	44	11.4	8.4		1.31	1.23	1.13
798-DF40HC3050DS04V	DF40HC(3.0)-50DS-0.4V(51)	A	50	12.6	9.6		1.28	1.22	1.12
798-DF40HC3060DS04V	DF40HC(3.0)-60DS-0.4V(51)	A	60	14.6	11.6		1.59	1.51	1.40
798-DF40HC3090DS4V51	DF40HC(3.0)-90DS-0.4V(51)	A	90	20.6	17.6		2.34	1.95	1.74
3.5mm Stacking Height									
798-DF40HC3530DS04V	DF40HC(3.5)-30DS-0.4V(51)	A	30	8.6	5.6		1.32	.95	.772
798-DF40HC3550DS04V	DF40HC(3.5)-50DS-0.4V(51)	A	50	12.6	9.6		1.82	1.31	1.08
798-DF40HC3560DS04V	DF40HC(3.5)-60DS-0.4V(51)	A	60	14.6	11.6		1.82	1.73	1.60
798-DF40HC3580DS4V51	DF40HC(3.5)-80DS-0.4V(51)	A	90	20.6	17.6		2.13	1.77	1.58
4.0mm Stacking Height									
798-DF40HC4090DS4V51	DF40HC(4.0)-90DS-0.4V(51)	A	90	20.6	17.6		2.43	2.02	1.80

Headers

For quantities greater than listed, call for quote.

MOUSER STOCK NO.	Hirose Part No.	Fig.	No. of Contacts	Dimensions: mm			Price Each		
				A	B		1	25	100
798-DF40C10DP0.4V51	DF40C-10DP-0.4V(51)	B	10	3.52	1.6		.76	.55	.442
798-DF40C20DP0.4V51	DF40C-20DP-0.4V(51)	B	20	5.52	3.6		.84	.60	.492
798-DF40C30DP0.4V51	DF40C-30DP-0.4V(51)	B	30	7.52	5.6		.99	.71	.582
798-DF40RC30DP04V51	DF40RC-30DP-0.4V(51)	B	30	7.52	5.6		.53	.48	.437
798-DF40C40DP0.4V51	DF40C-40DP-0.4V(51)	B	40	9.52	7.6		1.10	.80	.653
798-DF40C44DP04V51	DF40C-44DP-0.4V(51)	B	44	10.32	8.4		.91	.86	.778
798-DF40C50DP0.4V51	DF40C-50DP-0.4V(51)	B	50	11.52	9.6		1.32	.954	.784
798-DF40C60DP0.4V51	DF40C-60DP-0.4V(51)	B	60	13.52	11.6		1.49	1.06	.875
798-DF40C80DP0.4V51	DF40C-80DP-0.4V(51)	B	80	17.52	15.6		1.82	1.31	1.08
798-DF40C90DP0.4V51	DF40C-90DP-0.4V(51)	B	90	19.52	17.6		1.44	1.32	1.21
798-DF40C100DP0.4V51	DF40C-100DP-0.4V(51)	B	100	21.52	19.6		1.82	1.39	1.12

FH40 SERIES - 0.5MM ABOVE THE BOARD CONNECTORS

- Easy and smooth operation
- Useable with horizontal FH28 via common FPC/FFC
- LIF structure
- Robust lock structure
- FPC/FFC side catcher
- Accepts standard FPC thickness

For quantities greater than listed, call for quote.

MOUSER STOCK NO.	Hirose Part No.	Fig.	No. of Contacts	Dimensions: mm			Price Each		
				A	B	C	1	25	100
798-FH40-10S-0.5SV	FH40-10S-0.5SV	C	10	5.57	8.2	4.5	1.75	1.35	1.08
798-FH40-20S-0.5SV	FH40-20S-0.5SV	C	20	10.57	13.2	9.5	2.21	1.70	1.36
798-FH40-24S-0.5SV	FH40-24S-0.5SV	C	24	12.57	15.2	11.5	2.50	1.92	1.54
798-FH40-30S-0.5SV	FH40-30S-0.5SV	C	30	15.57	18.2	14.5	2.83	2.17	1.74
798-FH40-40S-0.5SV	FH40-40S-0.5SV	C	40	20.57	23.2	19.5	3.05	2.36	1.89
798-FH40-45S-0.5SV	FH40-45S-0.5SV	C	45	23.07	25.7	22.0	3.34	2.58	2.07
798-FH40-50S-0.5SV	FH40-50S-0.5SV	C	50	25.57	28.2	24.5	3.60	2.79	2.23
798-FH40-60S-0.5SV	FH40-60S-0.5SV	C	60	30.57	33.2	29.5	4.32	3.35	2.68
798-FH40-64S-0.5SV	FH40-64S-0.5SV	C	64	32.57	35.2	31.5	4.50	3.48	2.79

DF57 SERIES - SUBSTRATE TWIN (PAIR) CABLE SWING-LOCK CONNECTOR

- 1.2mm pitch, 1.4mm height, low profile connector
- "Swing lock"; Both positive and friction locks are provided for cable pull force resistance
- High current capability; 2.5A (2-pin with AWG#28 cable)
- Solder wicking prevention
- High contact lance strength

Headers

For quantities greater than listed, call for quote.

MOUSER STOCK NO.	Hirose Part No.	Fig.	No. of Contacts	Dimensions: mm			Price Each		
				A	B	C	1	10	50
798-DF57-2P-1.2V21	DF57-2P-1.2V(21)	D	2	4.1	1.2	2.5	.80	.65	.526
798-DF57-3P-1.2V21	DF57-3P-1.2V(21)	D	3	5.3	2.4	3.7	.84	.68	.55
798-DF57-4P-1.2V21	DF57-4P-1.2V(21)	D	4	6.5	3.6	4.9	1.14	.93	.748
798-DF57-5P-1.2V21	DF57-5P-1.2V(21)	D	5	7.7	4.8	6.1	1.18	.96	.774
798-DF57-6P-1.2V21	DF57-6P-1.2V(21)	D	6	8.9	6.0	7.3	1.21	.99	.801

Sockets

For quantities greater than listed, call for quote.

MOUSER STOCK NO.	Hirose Part No.	Fig.	No. of Contacts	Dimensions: mm			Price Each		
				A	B	C	1	10	50
798-DF57-2S-1.2C	DF57-2S-1.2C	E	2	2.98	2.6	1.2	.42	.26	.174
798-DF57-3S-1.2C	DF57-3S-1.2C	E	3	4.18	3.8	2.4	.47	.29	.194
798-DF57-4S-1.2C	DF57-4S-1.2C	E	4	5.38	5.0	3.6	.47	.33	.253
798-DF57-5S-1.2C	DF57-5S-1.2C	E	5	6.58	6.2	4.8	.51	.35	.273
798-DF57-6S-1.2C	DF57-6S-1.2C	E	6	7.78	7.4	6.0	.54	.38	.291

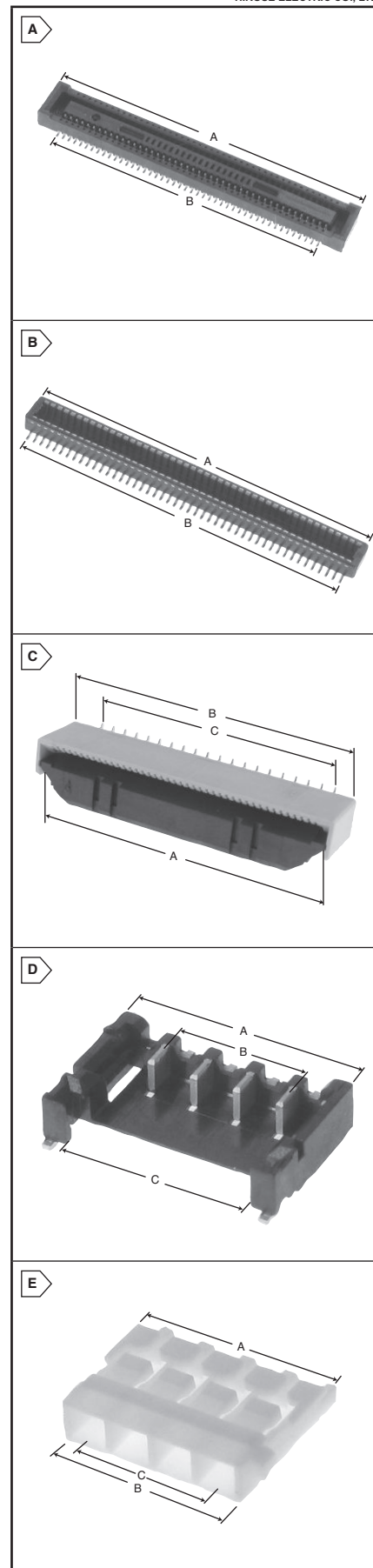
Contact

For quantities greater than listed, call for quote.

MOUSER STOCK NO.	Hirose Part No.	Finish	Price Each			
			1	10	50	100
798-DF57-2830SCF	DF57-2830SCF	Tin	.08	.05	.025	.02

Tool

MOUSER STOCK NO.	Hirose Part No.	Description	Price Each
798-HT305/DF572830HC	HT305/DF57-2830HC	Hand Crimping Tool	1125.80



Rectangular Connectors Hirose